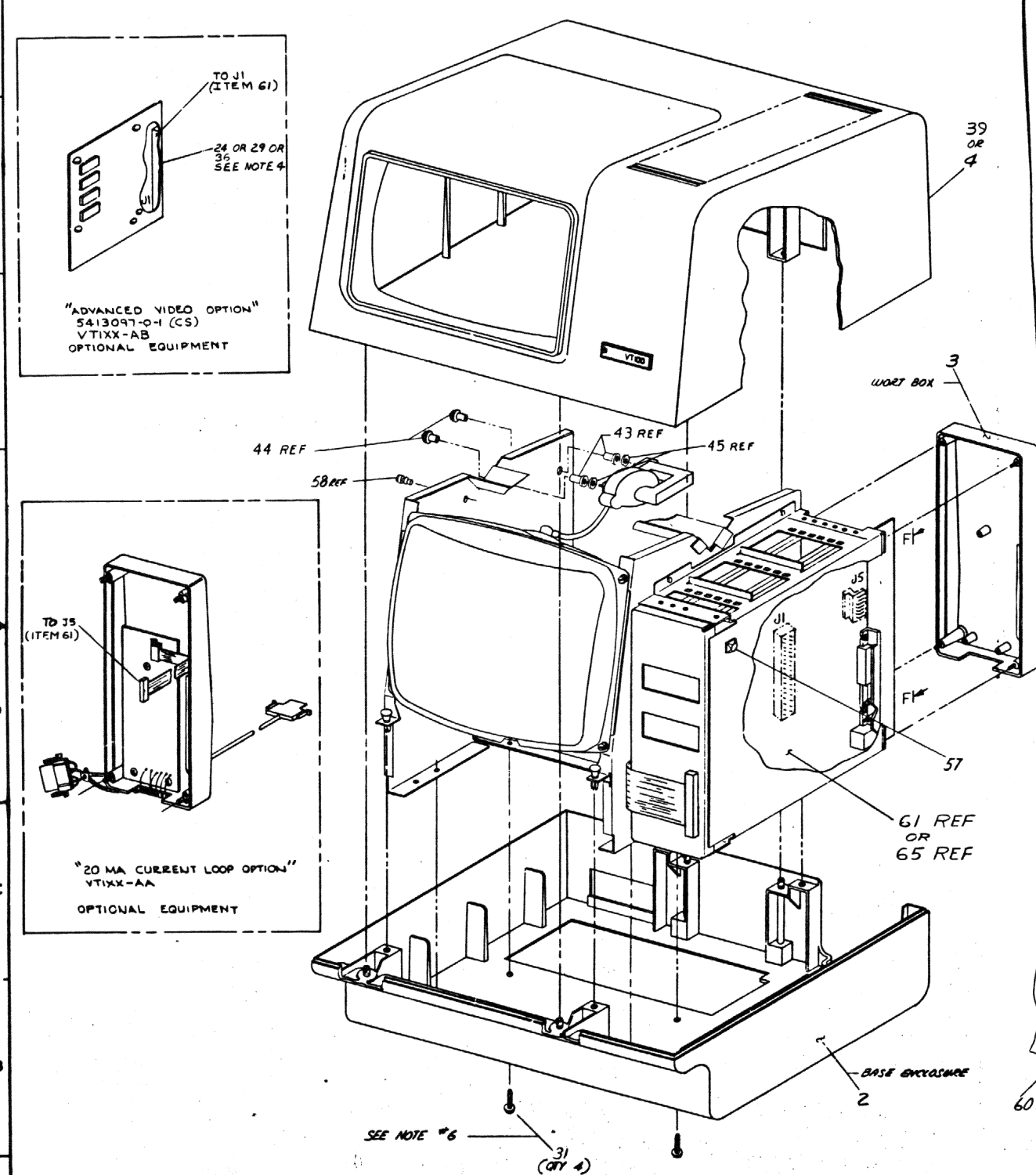
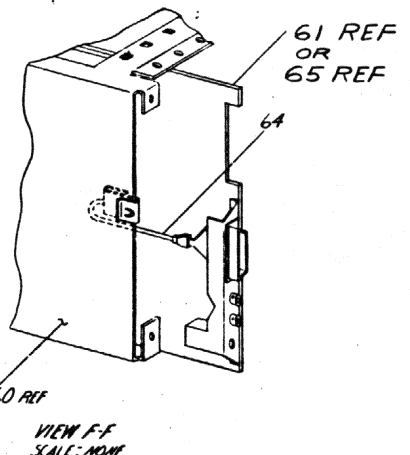




THIS DRAWING IS UNCLASSIFIED SINCE IT IS A TECHNICAL DRAWING OF A PRODUCT OF THE U.S. GOVERNMENT. IT IS THE PROPERTY OF THE U.S. GOVERNMENT AND IS LOANED TO YOUR ORGANIZATION. IT AND ITS CONTENTS ARE NOT TO BE DISTRIBUTED OUTSIDE YOUR ORGANIZATION.



LEGEND		SERIAL LABEL INFORMATION					
MODEL NUMBER	VARIATIONS	VOLTS	AMPS	PH	HZ	WATTS	WIRES
VT100- -AA	DBL KEYBD EIA 115V LINE CORD USA PLUG	120/220 240	2.5 1.3		50/60	300 MAX	
VT100- -AB	DBL KEYBD EIA 230V LINE CORD 20A PLUG						
VT100- -HA	VT100-AA WITH DEC FORM KEY CAPS						
VT100- -NB	VT100-AB WITH DEC FORM KEY CAPS						
VT100- -WA	VT100-AA WITH WORD PROCESSING KEYCAPS						
VT100- -WB	VT100-AB WITH WORD PROCESSING KEYCAPS						
VT100- -WC	VT100 WITH AVO, FR. CANADIAN WP KEYCAPS, FOREIGN LANGUAGE ROMS, & 120V PLUG.						
VT100- -WD	VT100 WITH AVO, FR. CANADIAN WP KEYCAPS, FOREIGN LANGUAGE ROMS, & 230V 20A PLUG.						
VT100- -WE	VT100 WITH AVO, FRENCH WP KEYCAPS, FOREIGN LANGUAGE ROMS AND 120V PLUG.						
VT100- -WF	VT100 WITH AVO, FRENCH WP KEYCAPS, FOREIGN LANGUAGE ROMS, & 230V 20A PLUG.						
VT100- -WG	VT100 WITH AVO, DUTCH KEYCAPS, FOREIGN LANGUAGE ROMS, AND 120V PLUG.						
VT100- -WH	VT100 WITH AVO, DUTCH KEYCAPS, FOREIGN LANGUAGE ROMS, & 230V 20A PLUG.						
VT100- -WJ	VT100 WITH AVO, GERMAN KEYCAPS, FOREIGN LANGUAGE ROMS, & 120 V PLUG.						
VT100- -WK	VT100 WITH AVO, GERMAN KEYCAPS, FOREIGN LANGUAGE ROMS, & 230V 20A PLUG.						
VT100- -WY	VT100 WITH AVO, WP KEYCAPS, FOREIGN LANGUAGE ROMS, AND 120 V PLUG.						
VT100- -WZ	VT100 WITH AVO, WP KEYCAPS, FOREIGN LANGUAGE ROMS, AND 230V 20A PLUG.						
VT100- -LA	VT100-AA WITH P40 TUBE AND BONDED FACE PLATE						
VT100- -LB	VT100-AB WITH P40 TUBE AND BONDED FACE PLATE						
VT100- -PA	(PRIVATE BRAND) VT100-AA EXCEPT DARK GREY TRIM, 120V						
VT100- -PB	(PRIVATE BRAND) VT100-AB EXCEPT DARK GREY TRIM, 220/240V						
VT100- -FC	(PRIVATE BRAND) VT100-PA WITHOUT ELECTRONICS 120V						
VT100- -PD	(PRIVATE BRAND) VT100-PB WITHOUT ELECTRONICS 240V						
VT100- -PE	(PRIVATE BRAND) VT100-PA WITHOUT ELECT, & NO KYBD 120V						
VT100- -PF	(PRIVATE BRAND) VT100-PB WITHOUT ELECT, & NO KYBD 240V	120/220 240	2.5 1.3		50/60	300 MAX	



QUANTITY & UNIT	DESCRIPTION	UNIT PART NO.
1	VT100 UNIT ASSY	VT100-0-0 AC
1	VT100-0-0 AC	

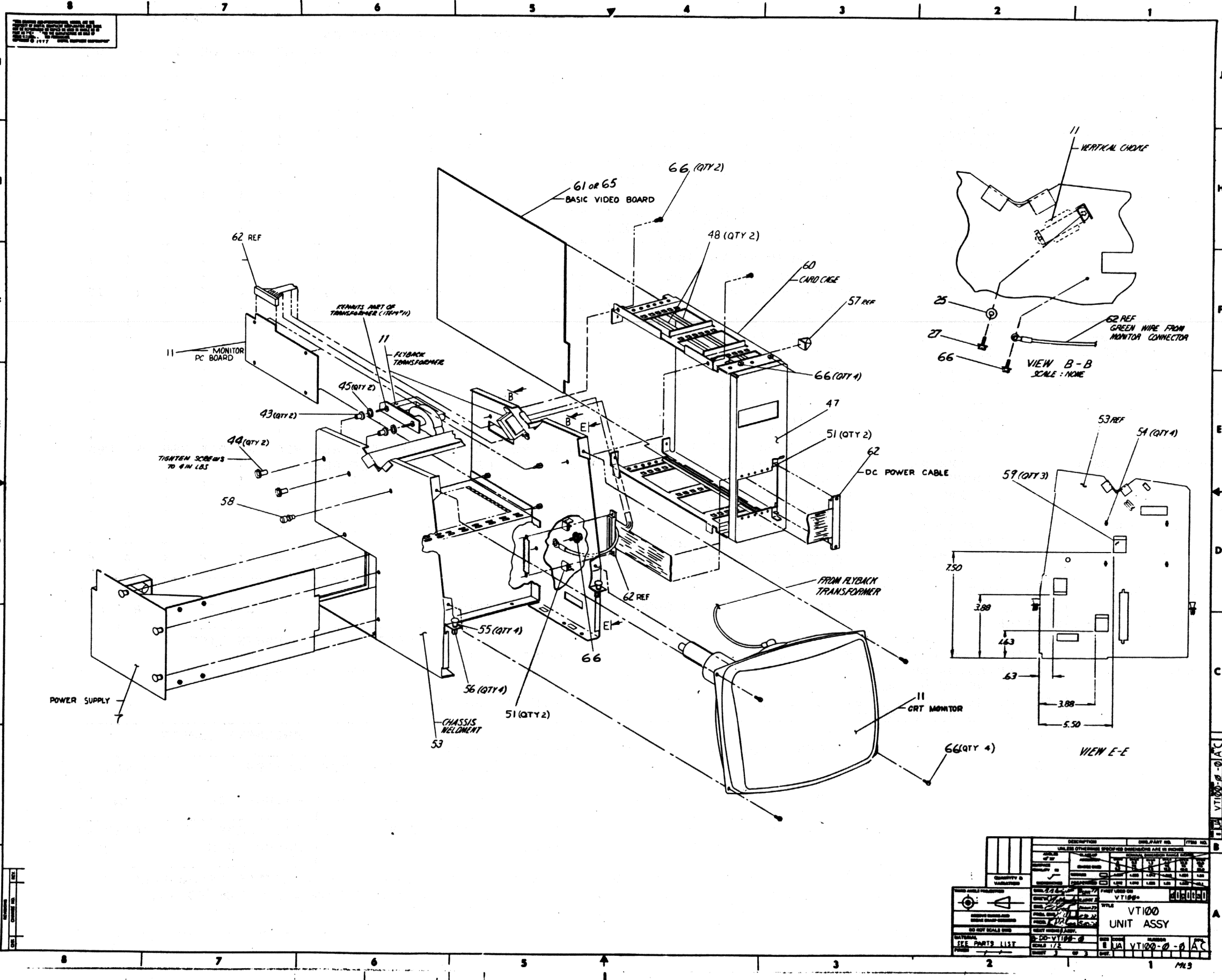
DATE: 1/2/77 BY: [Signature] PART USED ON: VT100

SCALE: 1/2" = 1"

SEE PARTS LIST

VT100-0-0 AC

ML3



QTY	DESCRIPTION	PART NO.	UNIT PRICE	TOTAL PRICE
1	VT100 UNIT ASSY	VT100-0-0 AC		
1	MONITOR PC BOARD	11		
2	FLYBACK TRANSFORMER	11		
2	BASIC VIDEO BOARD	61 or 65		
2	CARD CAGE	60		
1	DC POWER CABLE	62		
1	CRT MONITOR	11		
4	CHASSIS REINFORCEMENT	53		
2	MONITOR CONNECTOR	62 REF		
2	VERTICAL CHOPPER	11		
2	DC POWER CABLE	62		
4	FROM FLYBACK TRANSFORMER	66 (QTY 4)		
2	MONITOR PC BOARD	11		
2	FLYBACK TRANSFORMER	11		
2	BASIC VIDEO BOARD	61 or 65		
2	CARD CAGE	60		
1	DC POWER CABLE	62		
1	CRT MONITOR	11		
4	CHASSIS REINFORCEMENT	53		
2	MONITOR CONNECTOR	62 REF		
2	VERTICAL CHOPPER	11		
2	DC POWER CABLE	62		
4	FROM FLYBACK TRANSFORMER	66 (QTY 4)		

LINE	ITEM	DOCUMENT NUMBER	PART NUMBER	DESCRIPTION	QUANTITY PER VARIATION												
					AA	AB	NA	NB	WA	WB	WC	WD	WE	WF	WG	WH	
1	1	D-UA-7014653-0-0	7014653-00	KEYBOARD ASSY	1	1	-	-	-	-	-	-	-	-	-	-	-
2	2	E-IA-7014980-0-0	7014980-00	BASE ASSY ENCLOSURE	1	1	1	1	1	1	1	1	1	1	1	1	1
3	3	D-IA-7014976-0-0	7014976-00	WORT BOX ASSY	1	1	1	1	1	1	1	1	1	1	1	1	1
4	4	D-IA-7014974-0-0	7014974-00	ENCLOSURE, CRT TOP ASSY	1	1	1	1	1	1	1	1	1	1	1	1	1
5	5		7014975-00	*** THIS ITEM IS NOT USED ***	-	-	-	-	-	-	-	-	-	-	-	-	-
6	6		7014977-00	*** THIS ITEM IS NOT USED ***	-	-	-	-	-	-	-	-	-	-	-	-	-
7	7	D-AD-7014979-0-0	7014979-00	POWER SUPPLY ASSY	1	1	1	1	1	1	1	1	1	1	1	1	1
8	8		7014978-01	*** THIS ITEM IS NOT USED ***	-	-	-	-	-	-	-	-	-	-	-	-	-
9	9		5413009-00	*** THIS ITEM IS NOT USED ***	-	-	-	-	-	-	-	-	-	-	-	-	-
10	10		7419836-00	*** THIS ITEM IS NOT USED ***	-	-	-	-	-	-	-	-	-	-	-	-	-
11	11		3016080-00	/REPLACED BY 70-18349-00	1	1	1	1	1	1	1	1	1	1	1	1	1
12	12		9010007-00	*** THIS ITEM IS NOT USED ***	-	-	-	-	-	-	-	-	-	-	-	-	-
13	13		9009967-00	SCREW,HEX,SLOT,SEMS 6-32X .312L	12	12	12	12	12	12	12	12	12	12	12	12	12
14	14		3615680-00	LABEL,ADHESIVE BACK,SWITCH POSIT	1	1	1	1	1	1	1	1	1	1	1	1	1
15	15	A-PS-1700083-0-0	1700083-09	PWR CORD,TERM. 75IN,18-3,125V 10	1	-	1	-	1	-	1	-	1	-	1	-	-
16	16	A-PS-1700083-0-0	1700083-10	PWR CORD,TERM. 75IN,18-3,250V 6	-	1	-	1	-	1	-	1	-	1	-	1	-
17	17	D-UA-7014653-0-0	7014653-02	KEYBOARD ASSY.	-	-	1	1	-	-	-	-	-	-	-	-	-
18	18		7414213-00	*** THIS ITEM IS NOT USED ***	-	-	-	-	-	-	-	-	-	-	-	-	-
19	19		3613210-01	*** THIS ITEM IS NOT USED ***	-	-	-	-	-	-	-	-	-	-	-	-	-
20	20		3613210-02	*** THIS ITEM IS NOT USED ***	-	-	-	-	-	-	-	-	-	-	-	-	-
21	21		3613211-01	*** THIS ITEM IS NOT USED ***	-	-	-	-	-	-	-	-	-	-	-	-	-
22	22		3700324-00	INSTR PKG DISPLAY VT100	1	1	1	1	1	1	1	1	1	1	1	1	1
23	23	E-UA-VT1XX-AA-0	VT1XX-AA	VT100 20MA CURRENT LOOP OPTION W	REF	REF	REF	REF	REF	REF	REF	REF	REF	REF	REF	REF	REF
24	24	A-PL-VT1XX-AB-0	VT1XX-AB	ADVANCED VIDEO OPTION FOR VT100	REF	REF	REF	REF	REF	REF	-	-	-	-	-	-	-
25	25		9006659-00	WASHER, FLAT, .375 O.D. X .156 I	1	1	1	1	1	1	1	1	1	1	1	1	1
26	26		9007649-00	*** THIS ITEM IS NOT USED ***	-	-	-	-	-	-	-	-	-	-	-	-	-
27	27		9010112-00	SCREW,TAPPING,TYPE B,HEX ,SLOT,	1	1	1	1	1	1	1	1	1	1	1	1	1
28	28	E-UA-7014653-0-0	7014653-03	KEYBOARD ASSY.	-	-	-	-	1	1	-	-	-	-	-	-	-
29	29		5413097-00	*** THIS ITEM IS NOT USED ***	-	-	-	-	-	-	-	-	-	-	-	-	-
30	30		9009313-01	SUPPORT,C.BD.,FLAME RET.,NATURAL	-	-	-	-	4	4	4	4	4	4	4	4	4

REVISION HISTORY			BASIC PART NO: VT100		DRN: B. BLODGETT	DATE: 3-SEP-77	D I G I T A L				
ENG!	ECO NUMBER	REV	SECTION A OF B	CHK'D: D. HEALY	DATE: 24-SEP-77	TITLE PARTS LIST					
JD	VT100-ML040	Z	SECTION. VARIATION INDEX	DES.ENG.: E. WEDEKING	DATE: 26-JUN-78	DOCUMENT NUMBER					
GB	VT100-ML042	AA	[A] AA,AB,NA,NB,WA,WB, WC,WD,WE,WF,WG,WH	RESP.ENG.: G. DOUMANI	DATE: 26-JUN-78	SIZE	CODE	NUMBER	REV		
			[B] WJ,WK,WY,WZ,LA,LB, PA,PB,PC,PD,PE,PF	MFG.ENG.: K. HOFFMAN	DATE: 7-JUL-78	K	PL	VT100-0-DBP	AA		
			[C]	ASSEMBLY NUMBER:	TOP DOCUMENT NUMBER:	FILE NAME:			EDIT #		
			[D]	E-UA-VT100-0-0	#B-DD-VT100-0	MLOBAA.PLS			35		
			[E]								
			[F]								

"THIS DRAWING AND SPECIFICATIONS HEREIN, ARE THE PROPERTY OF DIGITAL EQUIPMENT CORPORATION AND SHALL NOT BE REPRODUCED OR COPIED OR USED IN WHOLE OR IN PART AS THE BASIS FOR THE MANUFACTURE OR SALE OF ITEMS WITHOUT WRITTEN PERMISSION. COPYRIGHT (C) 1982. DIGITAL EQUIPMENT CORPORATION "

ML3

PARTS LIST

LINE	ITEM	DOCUMENT NUMBER	PART NUMBER	DESCRIPTION	QUANTITY PER VARIATION											
					AA	AB	NA	NB	WA	WB	WC	WD	WE	WF	WG	WH
31	31		9010135-00	SCREW,FLAT,SLOT 8-32X 1/2	4	4	4	4	4	4	4	4	4	4	4	4
32	32	E-UA-7014653-0-0	7014653-05	KEYBD ASSY FR CANADIAN WP KEYCAP	-	-	-	-	-	-	1	1	-	-	-	-
33	33	E-UA-7014653-0-0	7014653-06	KEYBD ASSY FRENCH + WP KEYCAPS	-	-	-	-	-	-	-	-	1	1	-	-
34	34	E-UA-7014653-0-0	7014653-07	KEYBD ASSY DUTCH WP KEYCAPS	-	-	-	-	-	-	-	-	-	-	1	1
35	35	E-UA-7014653-0-0	7014653-08	*** THIS ITEM IS NOT USED ***	-	-	-	-	-	-	-	-	-	-	-	-
36	36	D-UA-5413097-0-0	5413097-03	VT100 ADVANCED VIDEO	-	-	-	-	-	-	1	1	1	1	1	1
37	37		5413009-02	*** THIS ITEM IS NOT USED ***	-	-	-	-	-	-	-	-	-	-	-	-
38	38		3016080-53	*** THIS ITEM IS NOT USED ***	-	-	-	-	-	-	-	-	-	-	-	-
39	39	D-IA-7014974-0-0	7014974-02	*** THIS ITEM IS NOT USED ***	-	-	-	-	-	-	-	-	-	-	-	-
40	40	D-UA-7014653-0-0	7014653-10	*** THIS ITEM IS NOT USED ***	-	-	-	-	-	-	-	-	-	-	-	-
41	41	D-UA-7014653-0-0	7014653-09	*** THIS ITEM IS NOT USED ***	-	-	-	-	-	-	-	-	-	-	-	-
42	42		3616157-00	LABEL,CORRECT VOLTAGE SETTING,CA	1	1	1	1	1	1	1	1	1	1	1	1
43	43	B-IA-7423018-0-0	7423018-00	ISOLATION MOUNT.	2	2	2	2	2	2	2	2	2	2	2	2
44	44	B-MD-7423006-0-0	7423006-00	SCREW,HEX WASHER HD,4-40	2	2	2	2	2	2	2	2	2	2	2	2
45	45		9008193-00	WASHER, NYLON, FLAT .312 X .812	2	2	2	2	2	2	2	2	2	2	2	2
46	46		7016624-00	*** THIS ITEM IS NOT USED ***	-	-	-	-	-	-	-	-	-	-	-	-
47	47	D-IA-7419469-0-0	7419469-00	STOP P.C. CARD	1	1	1	1	1	1	1	1	1	1	1	1
48	48		1212405-00	CARD GUIDE,NYLON	2	2	2	2	2	2	2	2	2	2	2	2
49	49	A-PS-3617544-0-0	3617544-00	LABEL,X-RAY RADIATION	1	1	1	1	1	1	1	1	1	1	1	1
50	50		3617674-01	LABEL,SERIAL & POWER W/UL & CSA	1	1	1	1	1	1	1	1	1	1	1	1
51	51		9010234-00	CLIP,CONN MTG. ZINCP	4	4	4	4	4	4	4	4	4	4	4	4
52	52	E-UA-5413097-0-0	5413097-01	ADVANCE VIDEO LA120	-	-	-	-	1	1	-	-	-	-	-	-
53	53	E-IA-7017434-0-DBU	7017434-00	CHASSIS WELDMENT	1	1	1	1	1	1	1	1	1	1	1	1
54	54		1217594-00	STANDOFF,POLYCARB 3/8"	4	4	4	4	4	4	4	4	4	4	4	4
55	55		9009964-00	PLUNGER, 5/16 DIA	4	4	4	4	4	4	4	4	4	4	4	4
56	56		9009966-01	GROMMET, SNAP-IN, 5/16 DIA	4	4	4	4	4	4	4	4	4	4	4	4
57	57		9009624-00	BUMPR,SG.,ADH.BACK RUB-POLYU	1	1	1	1	1	1	1	1	1	1	1	1
58	58		1218041-00	BUMPER,RUBBER W/STEM	1	1	1	1	1	1	1	1	1	1	1	1
59	59		9009636-00	CLAMP, CABLE, FOR FLAT CABLE	3	3	3	3	3	3	3	3	3	3	3	3
60	60	E-MD-7423954-0-DBU	7423954-00	CARD CAGE	1	1	1	1	1	1	1	1	1	1	1	1
61	61	D-UA-5413009-0-0	5413009-03	VT100 BASIC VIDEO	1	1	1	1	1	1	-	-	-	-	-	-
62	62	D-IA-7014978-0-0	7014978-03	DC POWER CABLE VT100 FCC	1	1	1	1	1	1	1	1	1	1	1	1
63	63		3617880-03	LABEL,FCC CLASS A PERIPHERAL	1	1	1	1	1	1	1	1	1	1	1	1
64	64	B-IA-7017970-0-0	7017970-YA	CABLE GROUNDING 3.5	1	1	1	1	1	1	1	1	1	1	1	1
65	65	D-UA-5413009-0-0	5413009-05	VT100 BASIC VIDEO	-	-	-	-	-	-	1	1	1	1	1	1

D	I	G	I	T	A	L	TITLE	SECTION A OF B	SIZE	CODE	DOCUMENT NUMBER	REV
							VT100 UNIT ASSY.		K	PL	VT100-0-DBP	AA

ML3

LINE	ITEM	DOCUMENT NUMBER	PART NUMBER	DESCRIPTION	QUANTITY PER VARIATION											
					WJ	WK	WY	WZ	LA	LB	PA	PB	PC	PD	PE	PF
1	1	D-UA-7014653-0-0	7014653-00	KEYBOARD ASSY	-	-	-	-	1	1	-	-	-	-	-	-
2	2	E-IA-7014980-0-0	7014980-00	BASE ASSY ENCLOSURE	1	1	1	1	1	1	1	1	1	1	1	1
3	3	D-IA-7014976-0-0	7014976-00	WORT BOX ASSY	1	1	1	1	1	1	1	1	1	1	1	1
4	4	D-IA-7014974-0-0	7014974-00	ENCLOSURE, CRT TOP ASSY	1	1	1	1	1	1	-	-	-	-	-	-
5	5		7014975-00	*** THIS ITEM IS NOT USED ***	-	-	-	-	-	-	-	-	-	-	-	-
6	6		7014977-00	*** THIS ITEM IS NOT USED ***	-	-	-	-	-	-	-	-	-	-	-	-
7	7	D-AD-7014979-0-0	7014979-00	POWER SUPPLY ASSY	1	1	1	1	1	1	1	1	1	1	1	1
8	8		7014978-01	*** THIS ITEM IS NOT USED ***	-	-	-	-	-	-	-	-	-	-	-	-
9	9		5413009-00	*** THIS ITEM IS NOT USED ***	-	-	-	-	-	-	-	-	-	-	-	-
10	10		7419836-00	*** THIS ITEM IS NOT USED ***	-	-	-	-	-	-	-	-	-	-	-	-
11	11		3016080-00	/REPLACED BY 70-18349-00	1	1	1	1	-	-	1	1	1	1	1	1
12	12		9010007-00	*** THIS ITEM IS NOT USED ***	-	-	-	-	-	-	-	-	-	-	-	-
13	13		9009967-00	SCREW,HEX,SLOT,SEMS 6-32X .312L	12	12	12	12	12	12	12	12	12	12	12	12
14	14		3615680-00	LABEL,ADHESIVE BACK,SWITCH POSIT	1	1	1	1	1	1	1	1	1	1	1	1
15	15	A-PS-1700083-0-0	1700083-09	PWR CORD,TERM. 75IN,18-3,125V 10	1	-	1	-	1	-	1	-	1	-	1	-
16	16	A-PS-1700083-0-0	1700083-10	PWR CORD,TERM. 75IN,18-3,250V 6	-	1	-	1	-	1	-	1	-	1	-	1
17	17	D-UA-7014653-0-0	7014653-02	*** THIS ITEM IS NOT USED ***	-	-	-	-	-	-	-	-	-	-	-	-
18	18		7414213-00	*** THIS ITEM IS NOT USED ***	-	-	-	-	-	-	-	-	-	-	-	-
19	19		3613210-01	*** THIS ITEM IS NOT USED ***	-	-	-	-	-	-	-	-	-	-	-	-
20	20		3613210-02	*** THIS ITEM IS NOT USED ***	-	-	-	-	-	-	-	-	-	-	-	-
21	21		3613211-01	*** THIS ITEM IS NOT USED ***	-	-	-	-	-	-	-	-	-	-	-	-
22	22		3700324-00	INSTR PKG DISPLAY VT100	1	1	1	1	1	1	1	1	1	1	1	1
23	23	E-UA-VT1XX-AA-0	VT1XX-AA	VT100 20MA CURRENT LOOP OPTION W	REF	REF	REF	REF	REF	REF	REF	REF	REF	REF	REF	REF
24	24	A-PL-VT1XX-AB-0	VT1XX-AB	ADVANCED VIDEO OPTION FOR VT100	-	-	-	-	REF	REF	REF	REF	REF	REF	REF	REF
25	25		9006659-00	WASHER, FLAT, .375 O.D. X .156 I	1	1	1	1	1	1	1	1	1	1	1	1
26	26		9007649-00	*** THIS ITEM IS NOT USED ***	-	-	-	-	-	-	-	-	-	-	-	-
27	27		9010112-00	SCREW,TAPPING,TYPE B,HEX ,SLOT,	1	1	1	1	1	1	1	1	1	1	1	1
28	28	E-UA-7014653-0-0	7014653-03	KEYBOARD ASSY.	-	-	1	1	-	-	-	-	-	-	-	-
29	29		5413097-00	*** THIS ITEM IS NOT USED ***	-	-	-	-	-	-	-	-	-	-	-	-
30	30		9009313-01	SUPPORT,C.BD.,FLAME RET.,NATURAL	4	4	4	4	-	-	-	-	-	-	-	-

REVISION HISTORY			BASIC PART NO: VT100		DRN:	B. BLODGETT		DATE:	3-SEP-77		DIGITAL					
ENG!	ECO NUMBER	REV	SECTION B OF B	CHK'D:	D. HEALY		DATE:	24-SEP-77		TITLE		PARTS LIST				
JD	VT100-ML040	Z	SECTION. VARIATION INDEX							VT100 UNIT ASSY.						
GB	VT100-ML042	AA	[A] AA,AB,NA,NB,WA,WB,WC,WD,WE,WF,WG,WH	DES.ENG.:	E. WEDEKING		DATE:	26-JUN-78								
			[B] WJ,WK,WY,WZ,LA,LB,PA,PB,PC,PD,PE,PF	RESP.ENG.:	G. DOUMANI		DATE:	26-JUN-78								
			[C]							DOCUMENT NUMBER						
			[D]							SIZE!	CODE!	NUMBER	REV			
			[E]	MFG.ENG.:	K. HOFFMAN		DATE:	7-JUL-78		K	PL	VT100-0-DBP	AA			
			[F]	ASSEMBLY NUMBER:	E-UA-VT100-0-0		TOP DOCUMENT NUMBER:	#B-DD-VT100-0		FILE NAME:	MLOBAA.PLS		EDIT #			
													35			

"THIS DRAWING AND SPECIFICATIONS HEREIN, ARE THE PROPERTY OF DIGITAL EQUIPMENT CORPORATION AND SHALL NOT BE REPRODUCED OR COPIED OR USED IN WHOLE OR IN PART AS THE BASIS FOR THE MANUFACTURE OR SALE OF ITEMS WITHOUT WRITTEN PERMISSION. COPYRIGHT (C) 1982. DIGITAL EQUIPMENT CORPORATION "

LINE	ITEM	DOCUMENT NUMBER	PART NUMBER	DESCRIPTION	QUANTITY PER VARIATION											
					WJ	WK	WY	WZ	LA	LB	PA	PB	PC	PD	PE	PF
31	31		9010135-00	SCREW,FLAT,SLOT 8-32X 1/2	4	4	4	4	4	4	4	4	4	4	4	4
32	32	E-UA-7014653-0-0	7014653-05	*** THIS ITEM IS NOT USED ***	-	-	-	-	-	-	-	-	-	-	-	-
33	33	E-UA-7014653-0-0	7014653-08	*** THIS ITEM IS NOT USED ***	-	-	-	-	-	-	-	-	-	-	-	-
34	34	E-UA-7014653-0-0	7014653-07	*** THIS ITEM IS NOT USED ***	-	-	-	-	-	-	-	-	-	-	-	-
35	35	E-UA-7014653-0-0	7014653-08	KEYBD ASSY GERMAN WP KEYCAPS	1	1	-	-	-	-	-	-	-	-	-	-
36	36	D-UA-5413097-0-0	5413097-03	VT100 ADVANCED VIDEO	1	1	1	1	-	-	-	-	-	-	-	-
37	37		5413009-02	*** THIS ITEM IS NOT USED ***	-	-	-	-	-	-	-	-	-	-	-	-
38	38		3016080-53	/REPLACED BY 70-18349-00	-	-	-	-	1	1	-	-	-	-	-	-
39	39	D-IA-7014974-0-0	7014974-02	ENCLOSURE CRT TOP ASSY W/DK. GRA	-	-	-	-	-	-	1	1	1	1	1	1
40	40	D-UA-7014653-0-0	7014653-10	KEYBD ENCLOSURE ASSY NO KEYBD	-	-	-	-	-	-	-	-	-	-	1	1
41	41	D-UA-7014653-0-0	7014653-09	KEYBD/KEYCAP ASSY DARK GRAY	-	-	-	-	-	-	1	1	1	1	-	-
42	42		3616157-00	LABEL,CORRECT VOLTAGE SETTING,CA	1	1	1	1	1	1	1	1	1	1	1	1
43	43	B-IA-7423018-0-0	7423018-00	ISOLATION MOUNT.	2	2	2	2	2	2	2	2	2	2	2	2
44	44	B-MD-7423006-0-0	7423006-00	SCREW,HEX WASHER HD,4-40	2	2	2	2	2	2	2	2	2	2	2	2
45	45		9008193-00	WASHER, NYLON, FLAT .312 X .812	2	2	2	2	2	2	2	2	2	2	2	2
46	46		7016624-00	*** THIS ITEM IS NOT USED ***	-	-	-	-	-	-	-	-	-	-	-	-
47	47	D-IA-7419469-0-0	7419469-00	STOP P.C. CARD	1	1	1	1	1	1	1	1	1	1	1	1
48	48		1212405-00	CARD GUIDE,NYLON	2	2	2	2	2	2	2	2	2	2	2	2
49	49	A-PS-3617544-0-0	3617544-00	LABEL,X-RAY RADIATION	1	1	1	1	1	1	1	1	1	1	1	1
50	50		3617674-01	LABEL,SERIAL & POWER W/UL & CSA	1	1	1	1	1	1	1	1	1	1	1	1
51	51		9010234-00	CLIP,CONN MTG. ZINCP	4	4	4	4	4	4	4	4	4	4	4	4
52	52	E-UA-5413097-0-0	5413097-01	*** THIS ITEM IS NOT USED ***	-	-	-	-	-	-	-	-	-	-	-	-
53	53	E-IA-7017434-0-DBU	7017434-00	CHASSIS WELDMENT	1	1	1	1	1	1	1	1	1	1	1	1
54	54		1217594-00	STANDOFF,POLYCARB 3/8"	4	4	4	4	4	4	4	4	4	4	4	4
55	55		9009964-00	PLUNGER, 5/16 DIA	4	4	4	4	4	4	4	4	4	4	4	4
56	56		9009966-01	GROMMET, SNAP-IN, 5/16 DIA	4	4	4	4	4	4	4	4	4	4	4	4
57	57		9009624-00	BUMPR,SG.,ADH.BACK RUB-POLYU	1	1	1	1	1	1	1	1	1	1	1	1
58	58		1218041-00	BUMPER,RUBBER W/STEM	1	1	1	1	1	1	1	1	1	1	1	1
59	59		9009636-00	CLAMP, CABLE, FOR FLAT CABLE	3	3	3	3	3	3	3	3	3	3	3	3
60	60	E-MD-7423954-0-DBU	7423954-00	CARD CAGE	1	1	1	1	1	1	1	1	1	1	1	1
61	61	D-UA-5413009-0-0	5413009-03	VT100 BASIC VIDEO	-	-	-	-	1	1	1	1	-	-	-	-
62	62	D-IA-7014978-0-0	7014978-03	DC POWER CABLE VT100 FCC	1	1	1	1	1	1	1	1	1	1	1	1
63	63		3617880-03	LABEL,FCC CLASS A PERIPHERAL	1	1	1	1	1	1	1	1	-	1	1	1
64	64	B-IA-7017970-0-0	7017970-YA	CABLE GROUNDING 3.5	1	1	1	1	1	1	1	1	-	-	-	-
65	65	D-UA-5413009-0-0	5413009-05	VT100 BASIC VIDEO	1	1	1	1	-	-	-	-	-	-	-	-

D	I	G	I	T	A	L	TITLE	SECTION B OF B	SIZE	CODE	DOCUMENT NUMBER	REV
							VT100 UNIT ASSY.		K	PL	VT100-0-DBP	AA

ML3

AUTOMATED BY PRTLST.ID(11)

PARTS LIST

SHEET A1 OF A4

LINE	ITEM	DOCUMENT NUMBER	PART NUMBER	DESCRIPTION	QTY PER VARIATION				REFERENCE DESIGNATOR
					03	04	05	99	
1	1	D-MD-5013008-0-0	5013008-00	VT100 BASIC VIDEO	1	1	1	1	
2	2		1000005-00	6.8 MMF 100V 5%200PPM MICA	1	1	1	1	C9
3	3		1000014-00	68.0 MMF 100V 5%200PPM MICA	1	1	1	1	C11
4	4		1000016-00	100.0 MMF 100V 5%200PPM MICA	2	2	2	2	C21,C54
5	5		1000076-00	39 MFD 10V 10% S.TANT	1	1	1	1	C10
6	6		1017472-00	10 MFD 35V +50-10% AL EL	3	3	3	3	C1,C2,C3
7	7		1010274-01	.22 MFD 50V +80-20% Z5U CER	13	13	13	13	C4-C6,C14,C15,C27-C29,C44,C45, CONT C55,C56,C59
8	8		1012784-00	.047 MFD 50V +80-20% CER	25	25	25	25	C7,C8,C13,C18,C19,C22,C24,C25, CONT C30-C43,C48-C50
9	9		1013466-12	2200.0 MMF 50V 10% X7R CER	1	1	1	1	C26
10	10		1100114-00	D 664 QS\75PCB PIV= 25V SP	11	11	11	11	D4-D8,D11-D16
11	11		1105796-00	1N 4004 PIV=400 I= 1A D041 SP	2	2	2	2	D9,D10
12	12		1109502-03	1N 4742A VZ= 12.0 5% 1W	1	1	1	1	D3
13	13		1110994-00	1N 751A VZ= 5.1 5% .40W	1	1	1	1	D1
14	14		1114974-00	1N 4741A VZ= 11.0 5% 1W	1	1	1	1	D2
15	15		1215006-06	SKT,IC 24PIN DIP TIN PLATE	5	5	5	5	XE9,XE40,XE45,XE52,XE56
16	16		1211666-00	SKT,IC 18PIN DIP GOLD PLATE	1	1	1	1	J2
17	17		1214063-01	HEADER.150 50POS STRAIGHT	1	1	1	1	J1
18	18		1214828-00	CONN, 25POS RCPT	1	1	1	1	J4
19	19		1214829-00	EDGE CARD 40POS RT ANGLE .125CC	1	1	1	1	J3
20	20		1215048-01	CONN 7POS RT ANGLE	1	1	1	1	J5
21	21		1300005-07	R NETWORK 15-4.7K 5.0 % 16PIN	3	3	3	3	E8,E12,E59
22	22		1300219-00	68.0 .25 W 5.0 % CC	1	1	1	1	R40
23	23		1300229-00	100.0 .25 W 5.0 % CC	1	1	1	1	R34
24	24		1300250-00	150.0 .25 W 5.0 % CC	3	3	3	3	R51,R68,R74
25	25		1300271-00	220.0 .25 W 5.0 % CC	1	1	1	1	R41
26	26		1300295-00	330.0 .25 W 5.0 % CC	3	3	3	3	R1,R46,R47
27	27		1300315-00	470.0 .50 W 5.0 % CC	1	1	1	1	R11
28	28		1300316-00	470.0 .25 W 5.0 % CC	1	1	1	1	R21

REVISION HISTORY			BASIC PART NO: 5413009			DRN: T. SHETRAWSKI DATE: 30-MAR-78			D I G I T A L		
ENG	ECO NUMBER	REV	SECTION A OF A	CHK'D: T. SHETRAWSKI DATE: 11-MAR-78			TITLE PARTS LIST				
JD	5413009-PN010	N	SECTION.VARIATION INDEX	VT100 BASIC VIDEO							
RP	5413009-MLO11	P	[A] 03,04,05,99								
RP	5413009-MLO12	R	[B]								
CJ	5413009-MLO13	S	[C]	DES.ENG: D. PUCCI DATE: 30-MAR-78							
RP	5413009-MLO14	T	[D]								
RP	5413009-MLO15	U	[E]	RESP.ENG.: D. PUCCI DATE: 30-MAR-78			DOCUMENT NUMBER				
RP	5413009-MLO16	V	[F]								
DP	5413009-MLO17	W	[H]				SIZE!CODE! NUMBER REV				
DP	5413009-MLO18	Y	[J]	MFG.ENG.: T. CORCIARI DATE: 30-MAR-78			K PL 5413009-0-DBP AB				
JD	5413009-MLO19	Z	[K]								
RP	5413009-MLO20	AA	[L]	ASSEMBLY NUMBER: E-UA-5413009-C-0			TOP DOCUMENT NUMBER: B-DD-5413009-0-0				
NW	5413009-MLO21	AB	[M]				FILE NAME: MLO!AB.PLS EDIT # 23				
			[N]								

"THIS DRAWING AND SPECIFICATIONS HEREIN, ARE THE PROPERTY OF DIGITAL EQUIPMENT CORPORATION AND SHALL NOT BE REPRODUCED OR COPIED OR USED IN WHOLE OR IN PART AS THE BASIS FOR THE MANUFACTURE OR SALE OF ITEMS WITHOUT WRITTEN PERMISSION. COPYRIGHT (C) 1991. DIGITAL EQUIPMENT CORPORATION"

LINE	ITEM	DOCUMENT NUMBER	PART NUMBER	DESCRIPTION	QTY PER VARIATION				REFERENCE DESIGNATOR
					03	04	05	99	
29	30		1300365-00	1.0 K .25 W 5.0 % CC	2	2	2	2	R36,R67
30	31		1300398-00	1.80 K .25 W 5.0 % CC	1	1	1	1	R31
31	32		1300417-00	2.20 K .25 W 5.0 % CC	5	5	5	5	R18,R20,R22,R23,R27
32	33		1300426-00	2.70 K .25 W 5.0 % CC	1	1	1	1	R7
33	34		1300447-00	4.70 K .25 W 5.0 % CC	1	1	1	1	R25
34	35		1300479-00	10.0 K .25 W 5.0 % CC	4	4	4	4	R2,R6,R12,R26
35	36		1301317-00	10.0 .25 W 5.0 % CC	1	1	1	1	R57
36	37		1301422-00	7.50 K .25 W 5.0 % CC	8	8	8	8	R59-R66
37	38		1301424-00	680.0 .25 W 5.0 % CC	1	1	1	1	R37
38	39		1301425-00	300.0 .25 W 5.0 % CC	1	1	1	1	R50
39	40		1301475-00	1.10 K .25 W 5.0 % CC	1	1	1	1	R32
40	42		1301874-00	5.60 K .25 W 5.0 % CC	1	1	1	1	R9
41	43		1301972-00	270.0 .25 W 5.0 % CC	1	1	1	1	R38
42	44		1302379-00	75.0 .25 W 5.0 % CC	4	4	4	4	R35,R45,R52,R54
43	45		1302391-00	20.0 K .25 W 5.0 % CC	2	2	2	2	R43,R48
44	47		1303178-00	620.0 .25 W 5.0 % CC	1	1	1	1	R49
45	48		1303187-00	820.0 K .25 W 5.0 % CC	1	1	1	1	R8
46	49		1304833-00	1.96 K .25 W 1.0 % RN550-F10	1	1	1	1	R15
47	51		1313580-00	350.0 .25 W 5.0 % CC	1	1	1	1	R39
48	52		1314673-00	36.0 .25 W 5.0 % CC	1	1	1	1	R53
49	53		1501913-00	2N 2904A PNP 600MW SI 60 40 Y	3	3	3	3	Q2,Q3,Q4
50	54		1503409-00	DEC6534D PNP 310MW SI 40 90	1	1	1	1	Q1
51	55		1509524-00	2N 3904 NPN 310MW SI 40 40 M	1	1	1	1	Q5
52	56		1810694-06	XTAL 24.8832 MHZ	1	1	1	1	Y1
53	57		1814830-00	OSCILLATOR, XTAL 24.073 MHZ	1	1	1	1	E2
54	58		1909686-00	7404 INVERTER GATE-HEX II	1	1	1	1	E38
55	59		1909928-00	7416 INVERTER GATE-HEX II	2	2	2	2	E14,E18
56	60		1909929-00	7417 BUFFER GATE-HEX IINP	1	1	1	1	E29
57	61		1910236-00	DEC 7426 NAND GATE-QUAD 2IN,0	1	1	1	1	E7
58	62		1910322-00	DEC 1488L DRIVER,LINE,QUAD,EI	1	1	1	1	E39
59	63		1912847-00	LS157 MUX 1 OF 2(QUAD)	1	1	1	1	E1
60	64		1912697-00	LS174 FF-D HEX W/CLEAR	2	2	2	2	E49,E61
61	65		1912799-00	LS00 NAND-GATE-QUAD 2IN,P	2	2	2	2	E23,E34
62	66		1912803-00	74LS04 INVERTER GATE,HEX	1	1	1	1	E19
63	67		1912815-00	LS30 NAND GATE-SINGLE 3IN	1	1	1	1	E3
64	68		1912818-00	LS38 NAND BUFFER-QUAD 2IN	1	1	1	1	E28
65	69		1912824-00	LS74 FF-D DUAL EDGE TRIGG	2	2	2	2	E13,E22
66	70		1912842-00	LS138 DECODER-THREE INPUT,	1	1	1	1	E27
67	71		1912843-00	LS139 DECODER, 2 OF 4(DUAL	1	1	1	1	E31
68	72		1912854-00	LS193 COUNTER,SYNCHR,4BIT,	3	3	3	3	E21,E25,E30
69	73		1912863-00	LS273 FF-D OCTAL W/CLEAR	2	2	2	2	E16,E20
70	74		1913105-00	PB 8224C DRIVER/GEN CLOCK F	1	1	1	1	E32
71	75		1913109-00	8228 BUFFER,DATA BASE FOR	1	1	1	1	E36
72	76		1913130-00	DEC 1489A RECEIVER,LINE,QUAD,	2	2	2	2	E37,E44
73	77		1914084-00	745299 SHIFT REG.,8BIT RIGH	1	1	1	1	E10
74	78		1914156-00	LM 393 VOLT.COMPARATOR DUAL	1	1	1	1	E48
75	79		1914213-00	81LS97 BUFFER GATE-OCTAL 2I	4	4	4	4	E15,E41,E42,E59
76	80		1914214-00	LS374 FF-D OCTAL EDGE TRIG	2	2	2	2	E26,E33

D	I	G	I	T	A	L	TITLE	VT100 BASIC VIDEO	SECTION A	OF A	SIZE	CODE	DOCUMENT NUMBER	REV
											K	PL	5413009-0-DBP	AB

LINE	ITEM	DOCUMENT NUMBER	PART NUMBER	DESCRIPTION	QTY PER VARIATION				REFERENCE DESIGNATOR
					03	04	05	99	
77	81		1914423-01	CUSTOM LSI-BIPOLAR LS	1	1	1	1	E6
78	82		1914424-01	CUSTOM LSI-BIPOLAR L	1	1	1	1	E5
79	83		2112623-02	DUAL BAUD RATE GEN/PROG DIVIDER	1	1	1	1	E60
80	84		2113106-01	1K MOS RAM 250NS	2	2	2	2	E11,E17
81	85		2113107-01	P 8251A PUSART COMM. INTERFA	1	1	1	1	E43
82	86		2113108-01	8080A-1 MICROPROCESSOR UNIT	1	1	1	1	E35
83	87		2113937-00	UART 125K BUAD	1	1	1	1	E55
84	88		2114212-00	P 2114-2 RAM,1024X4,STATIC	6	6	6	6	E46,E47,E50,E51,E53,E54
85	89		2114524-01	ROM 100X14BIT,ERASABLE,	1	1	1	1	E24
86	90		23018E2-00	E2-03	1	1	1	1	E4
87	91		7424901-01	BRACKET,GROUNDING,EIA CONNECTOR	1	1	1	1	
88	92		9006732-00	EYELET,ROLL FLANGE .1210DX .219	3	3	3	3	
89	93		9009185-00	JUMPER, WIRE, INSULATED, BLACK B	4	4	4	4	W1,W3,W4,W7
90	95		23061E2-00	E2-02	1	-	-	-	E56
91	96		23032E2-00	E2-02	1	-	-	-	E52
92	97		23033E2-00	E2-02	1	-	-	-	E45
93	98		23034E2-00	E2-02	1	-	-	-	E40
94	102		1001610-00	.01 MFD 50V +80-20% Z5U CER	4	4	4	4	C16,C17,C23,C51
95	103		1301320-00	1.20 K .25 W 5.0 % CC	1	1	1	1	R30
96	104		1301322-00	180.0 .25 W 5.0 % CC	1	1	1	1	R33
97	105		1301477-00	82.0 .25 W 5.0 % CC	1	1	1	1	R42
98	106		1300202-00	47.0 .25 W 5.0 % CC	1	1	1	1	R44
99	107		1303155-00	21.50 K .25 W 1.0 % RN55D-F10	1	1	1	1	R10
100	109		1309412-00	18.20 K .25 W 1.0 % RN55D-F10	1	1	1	1	R13
101	109		1609620-00	2.2 UH #RFC52.2	1	1	1	1	L1
102	110		1002608-00	18.0 MMF 100V 55200PPM MICA	1	1	1	1	C53
103	112		1013466-05	56.0 MMF 50V 5% CER	1	1	1	1	C47
104	113		23180E2-00	E2-02	-	1	1	-	E56
105	114		23181E2-00	E2-02	-	1	1	-	E52
106	115		23182E2-00	E2-02	-	1	1	-	E45
107	116		23183E2-00	E2-02	-	1	1	-	E40
108	117		1215006-07	SKT,IC 28PIN DIP TIN PLATE	1	1	1	1	XE6
109	118		23094E2-00	E2-03,E2-04	-	-	1	-	E9
110	119	A-SP-3700553-0-0	3700553-00	PKG MODULE 5413009	REF	REF	REF	REF	
111	120	A-SP-3700428-0-0	3700428-00	INSTR PKG. BULK CARTON 99-06476-	REF	REF	REF	REF	
112	121		1300005-03	R NETWORK 13-10K 5.0 % 14PIN	1	1	1	1	E57
113	123		1000021-00	220.0 MMF 100V 5%200PPM MICA	1	1	1	1	C57
114	124		9107560-01	WIRE,BUSS,22AWG	A/R	A/R	A/R	A/R	
115	125		1013466-24	47.0 MMF 50V 5% CER	3	3	3	3	C61,C58,C60
116	126		1013466-19	470.0 MMF 50V 5% CER	1	1	1	1	C20
117	127		1618238-02	BEAD,FERRITE .1380DX.380LG	6	6	6	6	L4-L9
118	128		1618437-00	BEAD,FERRITE .2360DX.394LG	3	3	3	3	L2,L3,L10

119 NOTE: FOR INDIVIDUAL FIELD SERVICE/CUSTOMER SPARES SHIPMENTS USE PACKAGING INSTRUCTION, A-SP-3700553-0-0;

D I G I T A L				TITLE	SECTION A OF A	SIZE	CODE	DOCUMENT NUMBER	REV
				VT100 BASIC VIDEO		K	PL	5413009-0-DBP	AB

LINE ITEM DOCUMENT NUMBER PART NUMBER DESCRIPTION

QTY PER VARIATION: 03 04 05 99 REFERENCE DESIGNATOR

120 NOTE: FOR BULK INTERPLANT SHIPMENTS USE PACKAGING INSTRUCTION, A-SP-3700428-0-0 VARIATION -02
 121 NOTE: L2 REQUIRES THE INSERTION OF 1.5 TURNS OF 22 AWG BUSS WIRE SEE DETAIL ON E-UA-5413009-C-0.
 122 NOTE: L3 AND L10 REQUIRES THE INSERTION OF 2.5 TURNS OF 22 AWG BUSS WIRE
 123 NOTE: SEE DETAIL ON E-UA-5413009-0-0.

D	I	G	I	T	A	L	TITLE	SECTION A OF A	SIZE	CODE	DOCUMENT NUMBER	REV
							VT100 BASIC VIDEO		K	PL	5413009-0-DBP	AB

THIS DRAWING AND SPECIFICATIONS HEREAFTER ARE THE PROPERTY OF BUSH BROADCAST CORPORATION AND SHALL NOT BE REPRODUCED OR COPIED IN WHOLE OR IN PART WITHOUT THE WRITTEN PERMISSION OF BUSH BROADCAST CORPORATION.

ADVANCED VIDEO CONN.

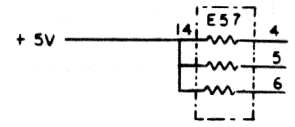
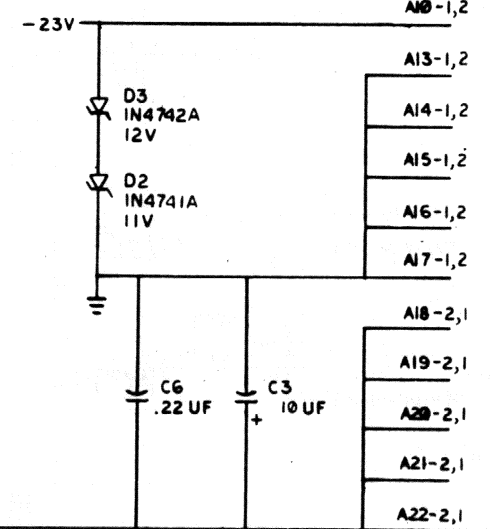
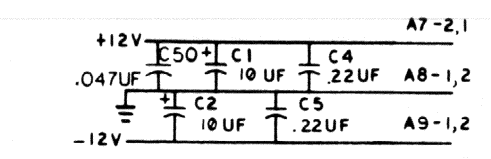
- A00 H
- A01 H
- A02 H
- A03 H
- A04 H
- A05 H
- A06 H
- A07 H
- A08 H
- A09 H
- A10 H
- A11 H
- A12 H
- A13 H
- A14 H
- A15 H
- DB 00 H
- DB 01 H
- DB 02 H
- DB 03 H
- DB 04 H
- DB 05 H
- DB 06 H
- DB 07 H
- BV4 DMA ENA L
- BV4 HOLD REQ H
- BV6 MEM RD L
- BV6 MEM WR L
- BV1 MEM DISABLE L
- BV2 SEL ATT RAM L
- BV2 SEL 8-12K L
- LBA 0 H
- LBA 1 H
- LBA 2 H
- LBA 3 H
- LBA 4 H
- LBA 5 H
- LBA 6 H
- LBA 7 H
- BV4 WRITE LB L
- BV4 CHAR CLK H
- BV1 BOLD L
- BV1 BLINK L
- BV1 UNDERLINE L
- BV1 ALT CHAR SET L
- +5V
- GND
- BV1 ADVANCED VIDEO L

GRAPHICS CONN

- DO 07 H
- DO 06 H
- DO 05 H
- DO 04 H
- DO 03 H
- DO 02 H
- DO 01 H
- DO 00 H
- BV4 HS CLK H
- BV1 GRAPHICS FLAG L
- BV1 GRAPHICS 2 IN L
- BV4 INIT H
- BV4 HORZ BLANK H
- BV2 GRAPHICS WR L
- BV4 VERT BLANK L
- BV1 GRAPHICS 1 IN L

EDGE CONN

- BV4 HORIZ DRIVE H A1-1,2
- A2-1,2
- DIRECT DRIVE VIDEO A3-2,1
- BV4 VERT DRIVE L A4-2,1
- LBA 6 H A11-1,2



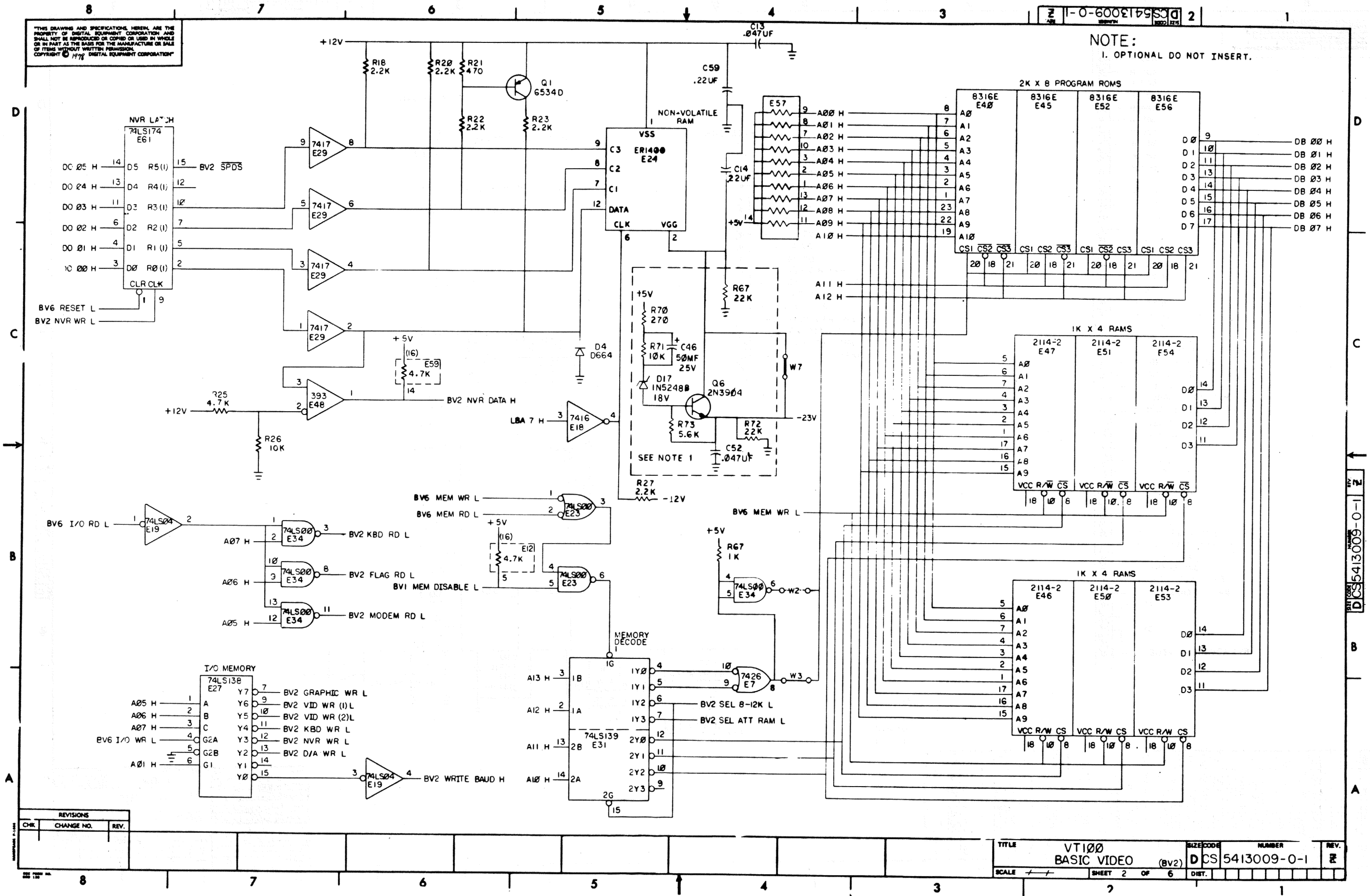
DATE	REV	BY	CHKD	APP'D
5/13/78	1	R. PUCCI	R. PUCCI	R. PUCCI
5/13/78	2	R. PUCCI	R. PUCCI	R. PUCCI
5/13/78	3	R. PUCCI	R. PUCCI	R. PUCCI
5/13/78	4	R. PUCCI	R. PUCCI	R. PUCCI
5/13/78	5	R. PUCCI	R. PUCCI	R. PUCCI
5/13/78	6	R. PUCCI	R. PUCCI	R. PUCCI
5/13/78	7	R. PUCCI	R. PUCCI	R. PUCCI
5/13/78	8	R. PUCCI	R. PUCCI	R. PUCCI
5/13/78	9	R. PUCCI	R. PUCCI	R. PUCCI
5/13/78	10	R. PUCCI	R. PUCCI	R. PUCCI
5/13/78	11	R. PUCCI	R. PUCCI	R. PUCCI
5/13/78	12	R. PUCCI	R. PUCCI	R. PUCCI
5/13/78	13	R. PUCCI	R. PUCCI	R. PUCCI
5/13/78	14	R. PUCCI	R. PUCCI	R. PUCCI
5/13/78	15	R. PUCCI	R. PUCCI	R. PUCCI
5/13/78	16	R. PUCCI	R. PUCCI	R. PUCCI
5/13/78	17	R. PUCCI	R. PUCCI	R. PUCCI
5/13/78	18	R. PUCCI	R. PUCCI	R. PUCCI
5/13/78	19	R. PUCCI	R. PUCCI	R. PUCCI
5/13/78	20	R. PUCCI	R. PUCCI	R. PUCCI

DRN. <i>[Signature]</i>	FIRST USED ON	VT100
CHKD. <i>[Signature]</i>	TITLE	VT100
ENGR. <i>[Signature]</i>	PROJECT	BASIC VIDEO
PROJ. ENG. <i>[Signature]</i>	SCALE	D
PROD. <i>[Signature]</i>	SIZE	CS 5413009-0-1
NEXT HIGHER ASBY.	NUMBER	1
E-UA-5413009-0-0	REV.	Z
SHEET 1 OF 6	DIST.	

THIS DRAWING AND SPECIFICATIONS HEREIN ARE THE PROPERTY OF DIGITAL EQUIPMENT CORPORATION AND SHALL NOT BE REPRODUCED OR COPIED OR USED IN WHOLE OR IN PART AS THE BASIS FOR THE MANUFACTURE OR SALE OF ITEMS WITHOUT WRITTEN PERMISSION. COPYRIGHT © 1977 DIGITAL EQUIPMENT CORPORATION

1-0-600917902 2

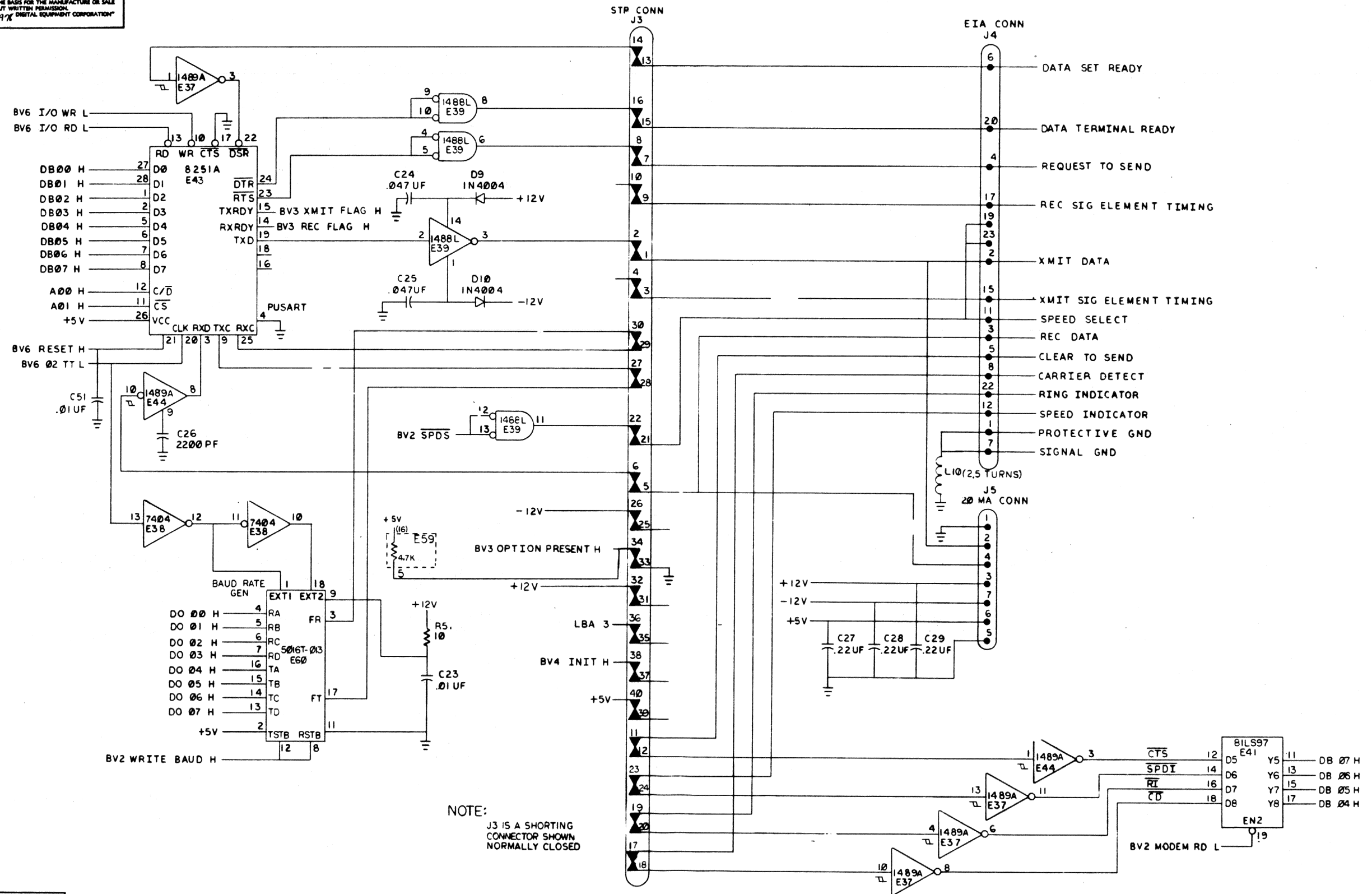
NOTE:
1. OPTIONAL DO NOT INSERT.



REVISIONS		
CHK	CHANGE NO.	REV.

TITLE	VT100 BASIC VIDEO (BV2)	SIZE CODE	NUMBER	REV.
SCALE	1/1	SHEET	2 OF 6	DIST.
D CS 5413009-0-1				

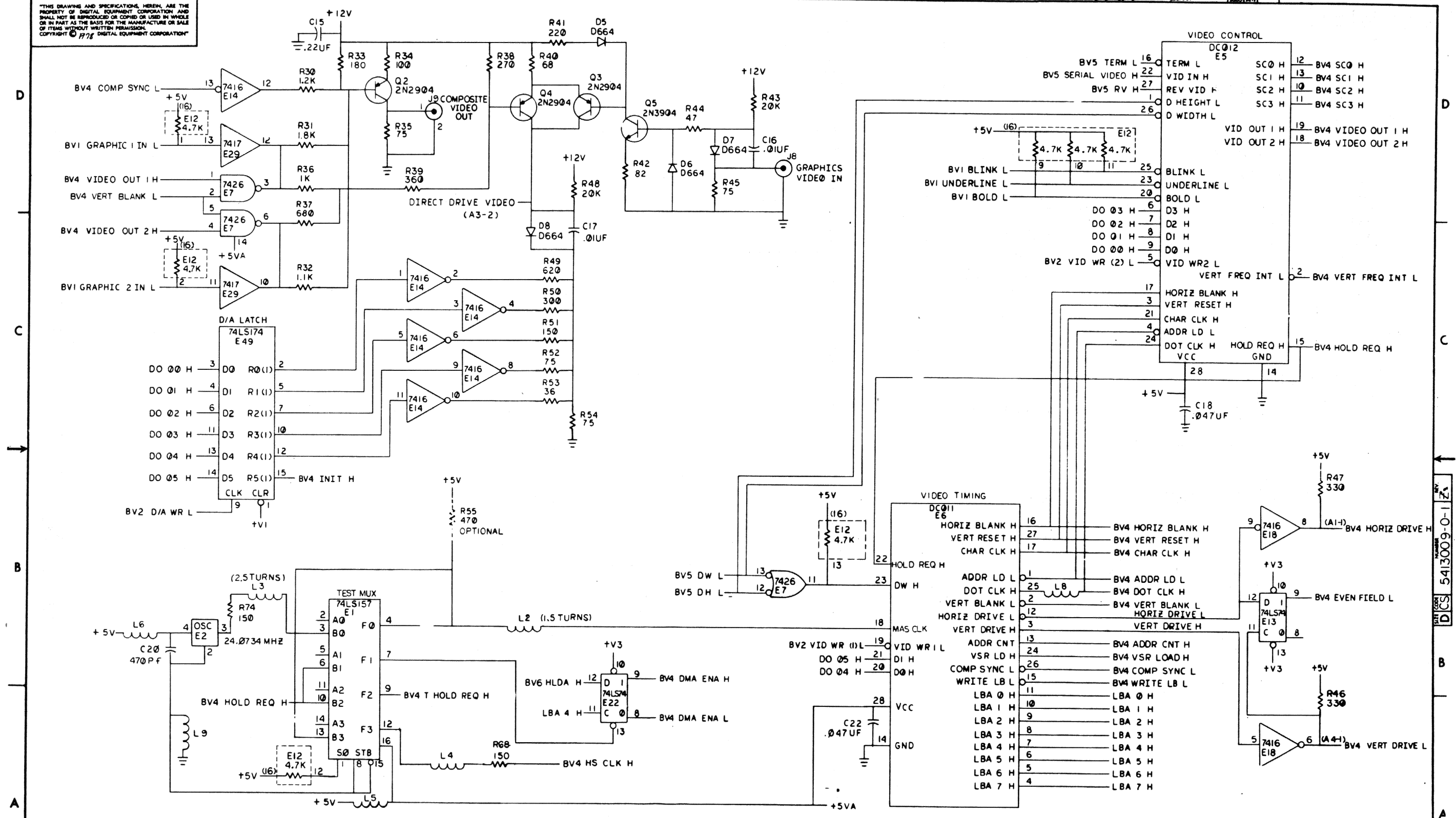
"THIS DRAWING AND SPECIFICATIONS, HEREIN, ARE THE PROPERTY OF DIGITAL EQUIPMENT CORPORATION AND SHALL NOT BE REPRODUCED OR COPIED OR USED IN WHOLE OR IN PART AS THE BASIS FOR THE MANUFACTURE OR SALE OF ITEMS WITHOUT WRITTEN PERMISSION. COPYRIGHT © 1977 DIGITAL EQUIPMENT CORPORATION"



NOTE:
J3 IS A SHORTING
CONNECTOR SHOWN
NORMALLY CLOSED

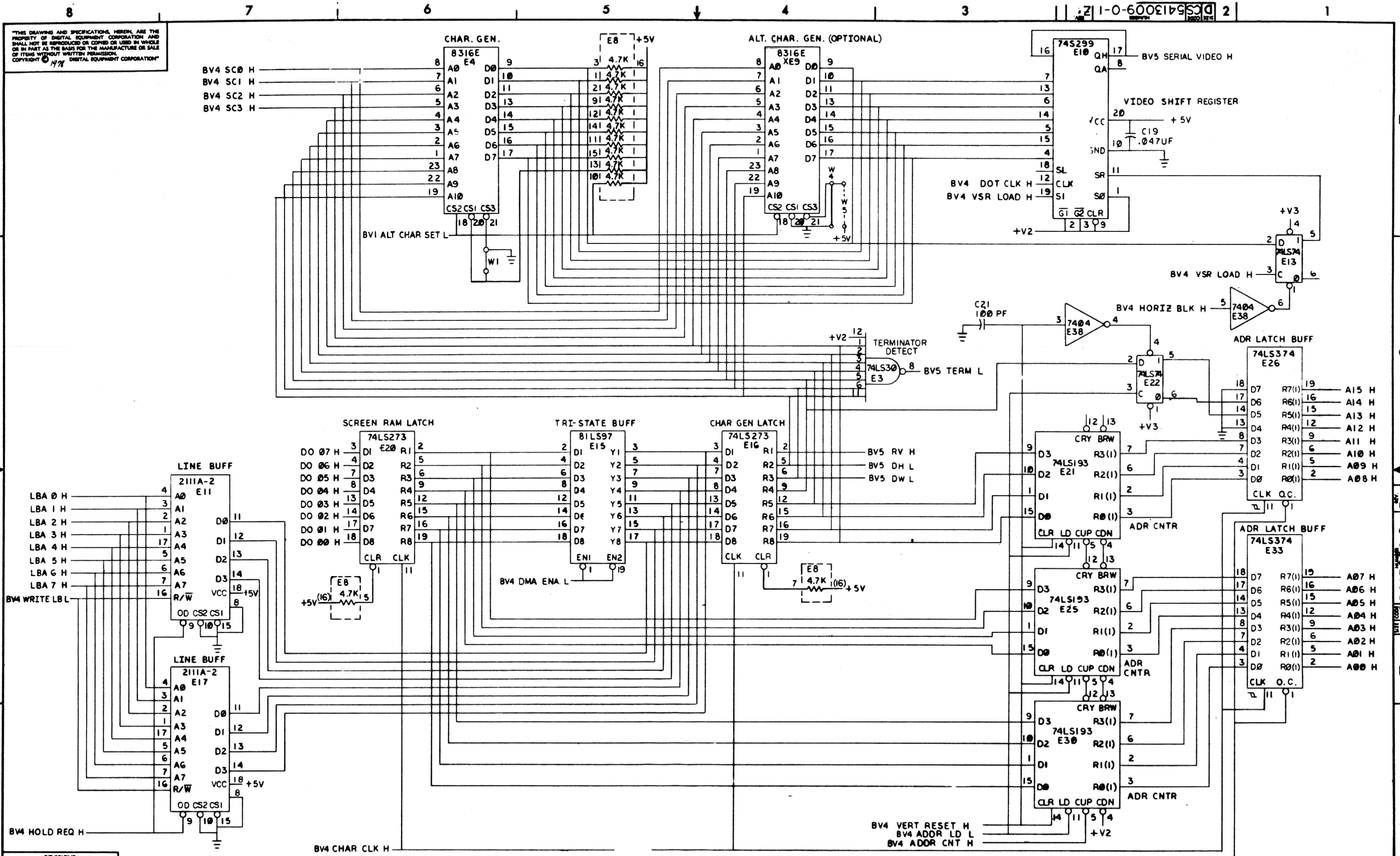
REVISIONS		
CHK	CHANGE NO.	REV.

THIS DRAWING AND SPECIFICATIONS HEREIN ARE THE PROPERTY OF DIGITAL EQUIPMENT CORPORATION AND SHALL NOT BE REPRODUCED OR COPIED OR USED IN WHOLE OR IN PART AS THE BASIS FOR THE MANUFACTURE OR SALE OF ITEMS WITHOUT WRITTEN PERMISSION. COPYRIGHT © 1978 DIGITAL EQUIPMENT CORPORATION



REVISIONS		
CHK	CHANGE NO.	REV.

"THIS DRAWING AND SPECIFICATIONS HEREIN ARE THE PROPERTY OF DIGITAL EQUIPMENT CORPORATION AND SHALL NOT BE REPRODUCED OR COPIED OR USED IN WHOLE OR IN PART AS THE BASIS FOR THE MANUFACTURE OR SALE OF ITEMS WITHOUT WRITTEN PERMISSION. COPYRIGHT © 1978 DIGITAL EQUIPMENT CORPORATION"

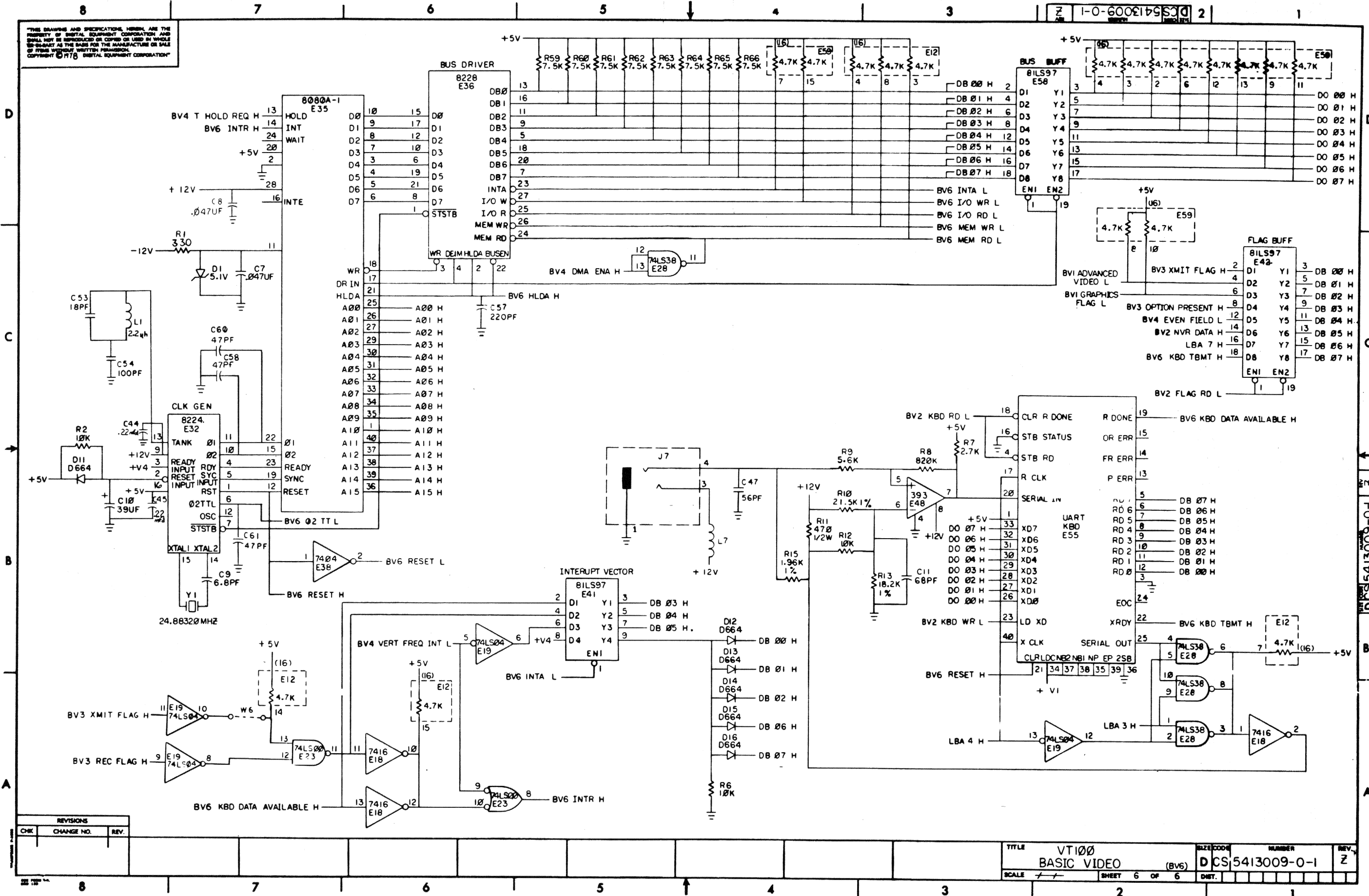


REVISIONS		
CHK	CHANGE NO.	REV.

TITLE	V T100	SIZE CODE	NUMBER	REV.
BASIC VIDEO (BV5)	DCS 5413009-0-1			
SCALE	SHEET 5 OF 6	DIST.		

DCS 5413009-0-1Z

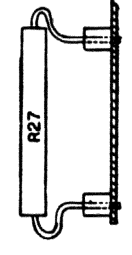
THIS DRAWING AND SPECIFICATIONS HEREIN ARE THE PROPERTY OF DIGITAL EQUIPMENT CORPORATION AND SHALL NOT BE REPRODUCED OR COPIED OR USED IN WHOLE OR IN PART AS THE BASIS FOR THE MANUFACTURE OR SALE OF THIS VIDEO WITHOUT PERMISSION. COPYRIGHT © 1970 DIGITAL EQUIPMENT CORPORATION



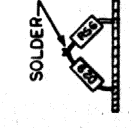
REVISIONS		TITLE	SIZE CODE	NUMBER	REV.
CHK	CHANGE NO.	VT100 BASIC VIDEO (BV6)	DCS	5413009-0-1	Z
		SCALE	SHEET	OF	DWT.
			6	6	

A B C D E F G H J

11450 FBS.
(290.830 MM)
REF.



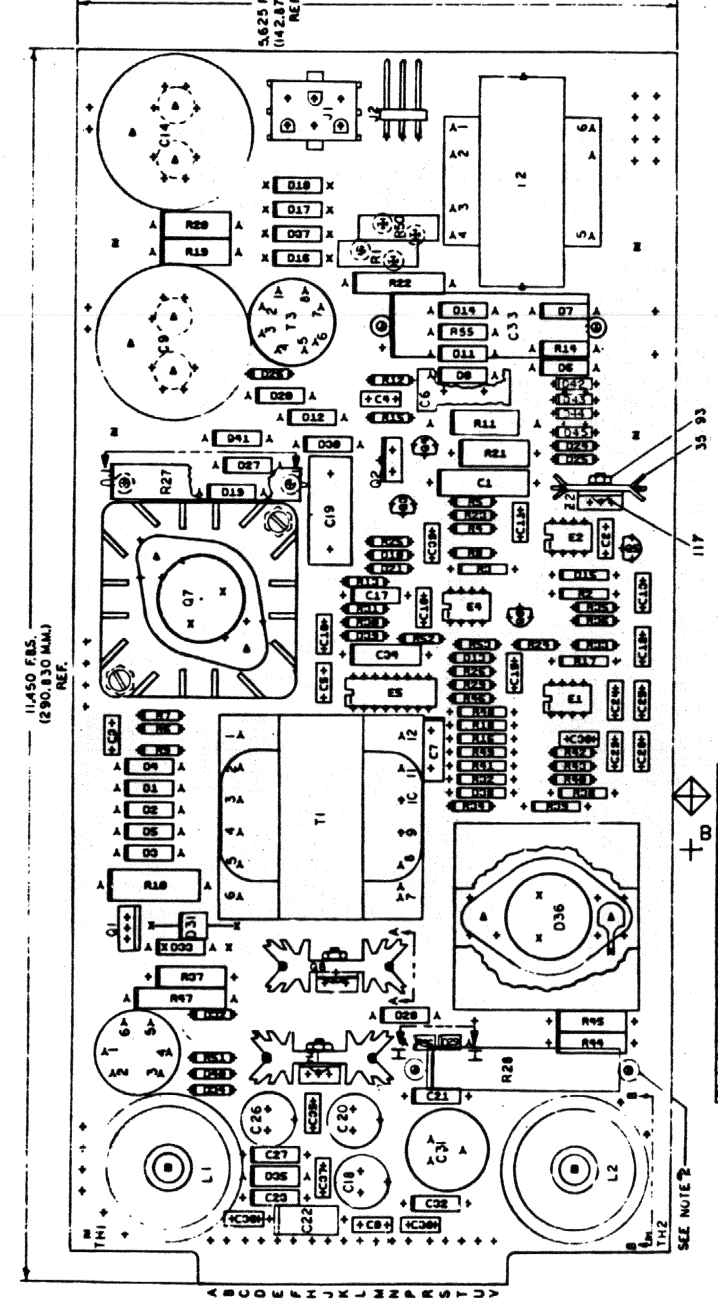
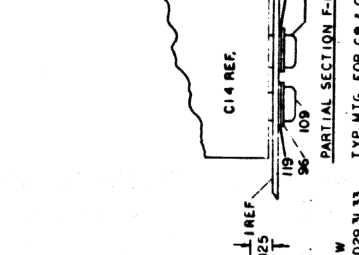
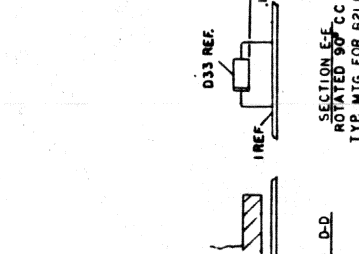
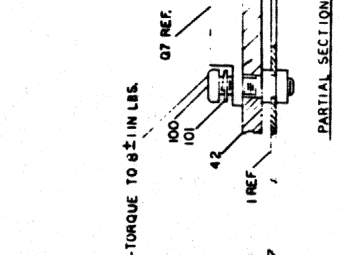
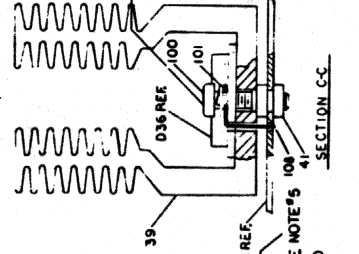
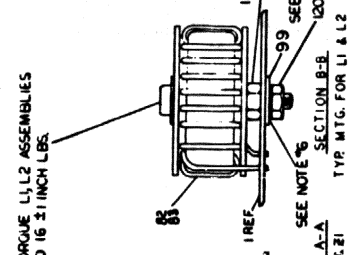
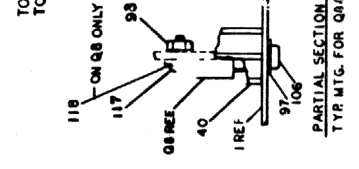
SECTION J-J



SECTION H-H

NOTES:

5. BEFORE ASSEMBLING ITEMS 92 & 93, THE NUT USED ON THESE ASSEMBLIES SHOULD BE LOCKED INTO PLACE USING PERMABOND 240/240S OF LOT TITLE 414.
6. MAXIMUM ALLOWABLE PROTRUSION ON SIDE TWO OF ETCH BOARD FROM BOTTOM OF ETCH BOARD TO BOTTOM OF NUT/LOCK OR SCREW PROTRUSION IS .130 MIL.



NOTES:
1. THIS BOARD IS DESIGNED TO BE MOUNTED ON A PERMANENTLY MOUNTED BOARD USING PERMABOND 240/240S OF LOT TITLE 414.
2. THE BOARD IS TO BE MOUNTED ON A PERMANENTLY MOUNTED BOARD USING PERMABOND 240/240S OF LOT TITLE 414.
3. THE BOARD IS TO BE MOUNTED ON A PERMANENTLY MOUNTED BOARD USING PERMABOND 240/240S OF LOT TITLE 414.

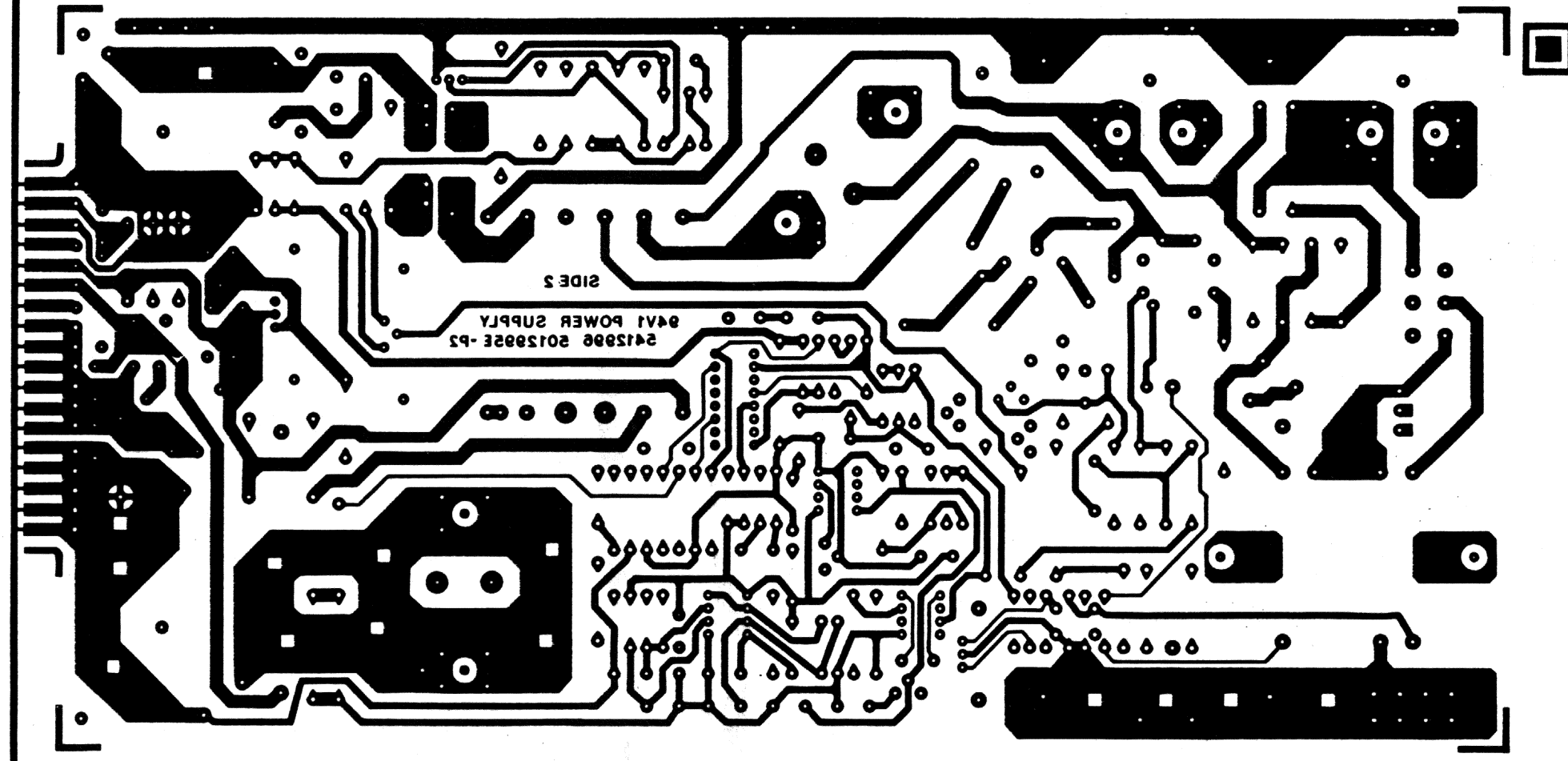
REV	DATE	BY	CHKD	APP'D	DESCRIPTION
1	11/11/73	J. J. ...	J. J. ...	J. J.
2	11/11/73	J. J. ...	J. J. ...	J. J.
3	11/11/73	J. J. ...	J. J. ...	J. J.
4	11/11/73	J. J. ...	J. J. ...	J. J.
5	11/11/73	J. J. ...	J. J. ...	J. J.
6	11/11/73	J. J. ...	J. J. ...	J. J.
7	11/11/73	J. J. ...	J. J. ...	J. J.
8	11/11/73	J. J. ...	J. J. ...	J. J.
9	11/11/73	J. J. ...	J. J. ...	J. J.
10	11/11/73	J. J. ...	J. J. ...	J. J.

digital
TITLE
H7831 POWER SUPPLY
SCALE 2:1
DATE 11/11/73
BY J. J. ...
CHKD J. J. ...
APP'D J. J. ...
REV 10
EUA 5412996-0-0

EUA 5412996-0-0

DJA 5412996-0-0 2

THIS DRAWING AND SPECIFICATIONS HEREIN ARE THE PROPERTY OF DIGITAL EQUIPMENT CORPORATION AND SHALL NOT BE REPRODUCED OR COPIED OR USED IN WHOLE OR IN PART AS THE BASIS FOR THE MANUFACTURE OR SALE OF ITEMS WITHOUT WRITTEN PERMISSION. COPYRIGHT © 1978 DIGITAL EQUIPMENT CORPORATION



U/T 446094 JUV

SIDE 2

2415000 2015002E -P5
24V1 POWER SUPPLY

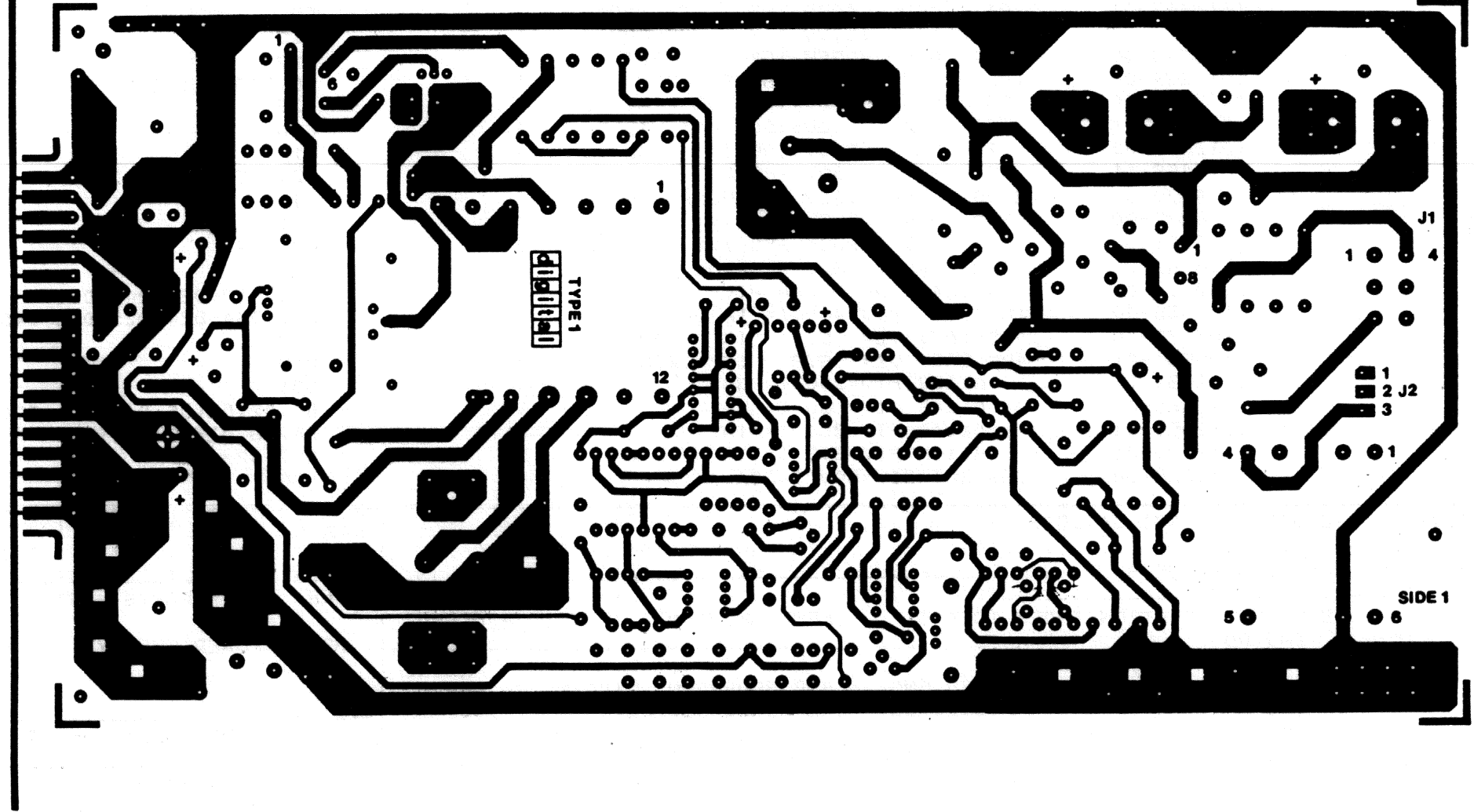
REVISIONS		
CHK	CHANGE NO	REV.

TITLE	H7931 POWER SUPPLY	SIZE/COOR	DJA	NUMBER	5412996-0-0	REL	N
SCALE	2/1	SHEET	2	OF	3	DIST	

DJA 5412996-C-0 N

D/UA 5412996-0-0 2

THIS DRAWING AND SPECIFICATIONS HEREIN ARE THE PROPERTY OF DIGITAL EQUIPMENT CORPORATION AND SHALL NOT BE REPRODUCED OR COPIED OR USED IN WHOLE OR IN PART AS THE BASIS FOR THE MANUFACTURE OR SALE OF ITEMS WITHOUT WRITTEN PERMISSION. COPYRIGHT © 1979 DIGITAL EQUIPMENT CORPORATION



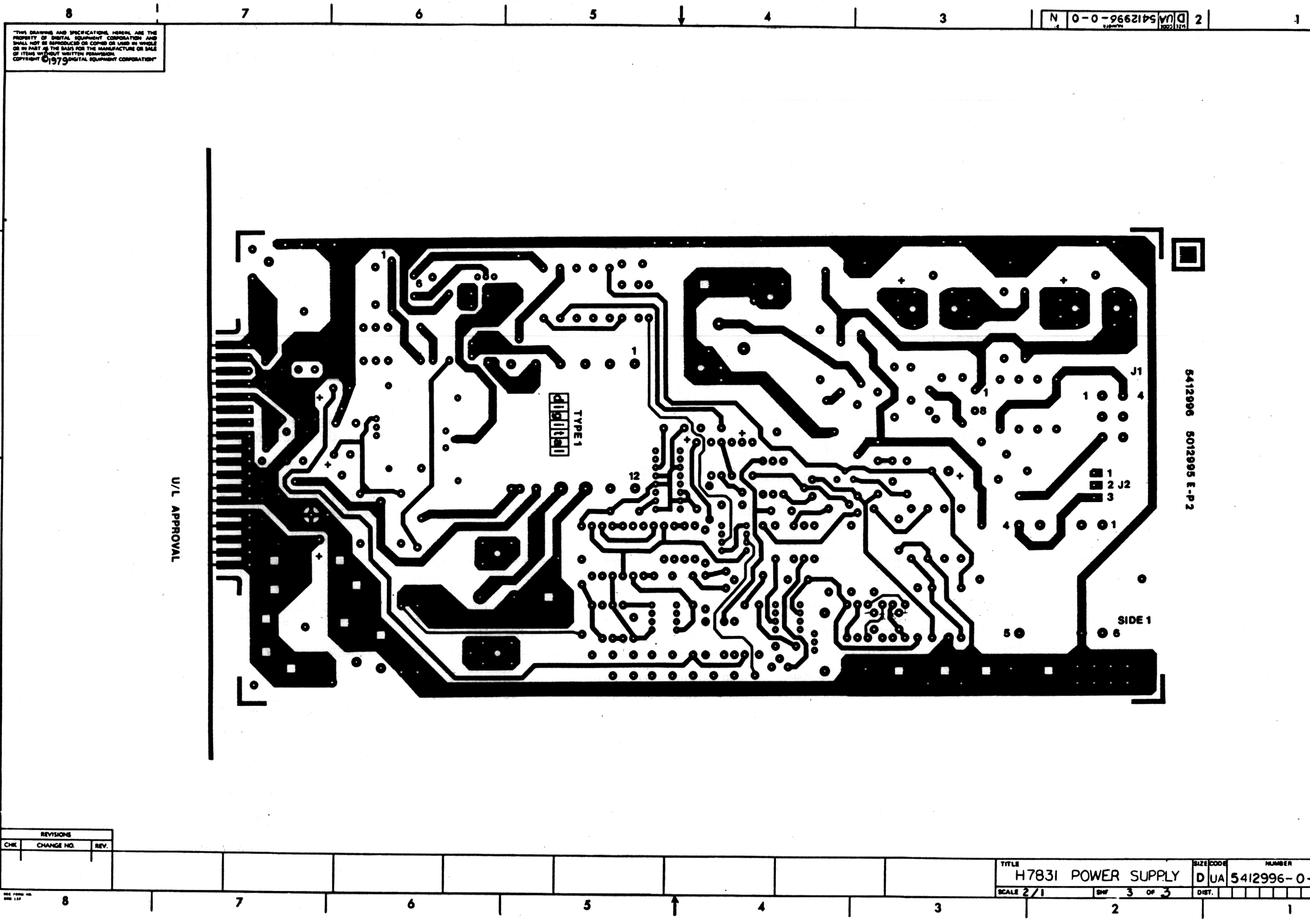
5412996 5012995 E-P2

SIDE 1

U/L APPROVAL

REVISIONS		
CHK	CHANGE NO.	REV.
1		

TITLE	H7831 POWER SUPPLY	SIZE CODE	D/UA	NUMBER	5412996-0-0	REV.	N
SCALE	2/1	SHW	3	OF	3	DIST.	



LINE ITEM	DOCUMENT NUMBER	PART NUMBER	DESCRIPTION	QTY PER VARIATION	REFERENCE DESIGNATOR
				00	
1	1	E-MD-5012995-0-0	5012995-00 H7831 POWER SUPPLY	1	
2	2	1000009-00	33.0 MMF 100V 55200PPM MICA	1	C2
3	3	1000016-00	100.0 MMF 100V 5%200PPM MICA	3	C5,C15,C16
4	4	1000039-00	.056 MFD 200V 10% MYLR	1	C1
5	5	1000042-00	1000.0 MMF 100V 5%200PPM MICA	5	C13,C24,C25,C28,C29
6	6	1000055-00	2200.0 MMF 250V 20% Y5S DISC	2	C3,C4
7	7	1001610-00	.01 MFD 50V +80-20% 25U CER	5	C30,C35,C36,C37,C38
8	8	1004812-00	15 MFD 20V 10% S.TANT	1	C34
9	9	1005507-00	1 MFD 100V +50-10% AL EL	1	C22
10	10	1011847-01	.01 MFD 400V 10% POLYPROP	1	C6
11	11	1015202-02	.0033 MFD 1600V 10% POLYPROP	1	C19
12	12	1001776-00	1 MFD 35V 10% S.TANT	1	C17
13	13	1010274-00	.22 MFD 50V +80-20% 25U CER	4	C8,C10,C11,C12
14	14	1012607-00	560 MFD 20V+100-10% AL EL	1	C26
15	15	1012607-04	270 MFD 40V+100-10% AL EL	1	C20
16	16	1012607-05	20 MFD 200V+100-10% AL EL	1	C18
17	17	1013456-11	.22 MFD 50V +80-20% 25U CER	4	C21,C23,C27,C32
18	18	1014170-00	2700.0 MMF 100V 1% 70PPM MICA	1	C7
19	19	1014277-00	3800 MFD 6.3V +75-10% AL EL	1	C31
20	20	1014861-00	590 MFD 200V +50-10% AL EL	2	C9,C14
21	21	1014883-00	470 MFD 50V +75-10% AL EL	1	C33
22	22	1100114-00	D 664 GS\75PCB PIV= 25V SP	5	D10,D13,D39,D40,D21
23	23	1105796-00	1N 4004 PIV=400 I= 1A DO41 SP	8	D32,D34,D24,D25,D42-D45
24	24	1105873-00	4M5-1AZ1 VZ= 5.1 1% .400W	1	D38
25	25	1109991-01	4M6.8AZ1 VZ= 6.8 1% .40W	1	D15
26	26	1112594-01	A115B PIV=200 I= 3A	1	D31
27	27	1112595-00	A114F PIV= 50 I= 1A	7	D1,D2,D3,D5,D12,D41,D20
28	28	1112595-01	A114B PIV=200 I= 1A	6	D4,D6,D7,D8,D11,D14
29	29	1112595-02	A114M PIV=600 I= 1A	2	D27,D28
30	30	1115529-00	UES2601 PIV=50V I=30A	1	D36

REVISION HISTORY		BASIC PART NO: 5412996		DRN:	VIN PARECHANIAN	DATE: 2-20-78	D I G I T A L			
ENG	ECO NUMBER	REV	SECTION A OF A	CHK'D:	KENT GLEEZEN	DATE: 7-JUL-80	TITLE PARTS LIST			
---	INIT	B	SECTION.VARIATION INDEX	CHK'D:	KENT GLEEZEN	DATE: 7-JUL-80	TITLE PARTS LIST			
KH	PN001	C	[A] 00				H7831 POWER SUPPLY			
LK	PN002	D	[B]							
JB	PN003	E	[C]	DES.ENG:	BOB PEDERSEN	DATE: 7-JUN-78				
JB	PN004	F	[D]							
EJ	PN005	H	[E]							
CJ	5412996-ML006	J	[F]	RESP.ENG.:	BOB PENDERSON	DATE: 7-JUN-78	DOCUMENT NUMBER			
RP	ML008	K	[H]				SIZE	CODE	NUMBER	REV
RP	ML009-5412996	L	[J]				K	PL	5412996-0-DBP	P
GC	5412996-ML011	M	[K]	MFG.ENG.:	T. CORCIARI	DATE: 7-JUN-78	TOP DOCUMENT NUMBER: FILE NAME: EDIT #			
GC	5412996-ML015	N	[L]	ASSEMBLY NUMBER:			B-DD-5412996-0-0 Z1085P.PLS 42			
GC	5412996-ML016	P	[M]							
			[N]							

"THIS DRAWING AND SPECIFICATIONS HEREIN, ARE THE PROPERTY OF DIGITAL EQUIPMENT CORPORATION AND SHALL NOT BE REPRODUCED OR COPIED OR USED IN WHOLE OR IN PART AS THE BASIS FOR THE MANUFACTURE OR SALE OF ITEMS WITHOUT WRITTEN PERMISSION. COPYRIGHT (C) 1981. DIGITAL EQUIPMENT CORPORATION"

LINE ITEM	DOCUMENT NUMBER	PART NUMBER	DESCRIPTION	QTY PER VARIATION 00	REFERENCE DESIGNATOR
31	31	1114602-00	UES1302 PIV=100V I= 4A	2	D29,D33
32	32	1115112-00	PIV=800V I=1A	2	D19,D30
33	33	1115182-00	1N 5626 PIV=600 I= 3A	4	D16,D17,D18,D37
34	34	1115224-00	VOLY.TRANS.SUPPRESS 12.1	1	D35
35	35	1215228-00	HEAT SINK,TO-220,VERTICAL MNT	1	
36	36	1212204-10	HEADER.156 3POS RT ANGLE	1	J2
37	38	1212297-05	MATE-N-LOK 6PIN UNIV HEADER	1	J1
38	39	1211987-03	HEAT SINK	1	
39	40	1213921-03	HEAT SINK,TAB MNT SEMI 2.5" HIGH	2	
40	41	1214789-00	INSERT,THREADED 6-32 ,BRASS,ELEC	4	
41	42	1210012-04	HT SINK W/HOLES	1	
42	43	1300219-00	68.0 .25 W 5.0 % CC	2	R9,R12
43	44	1300249-00	150.0 .50 W 5.0 % CC	1	R14
44	45	1300271-00	220.0 .25 W 5.0 % CC	1	R6
45	46	1300288-00	270.0 2.0 W10.0 % CC	1	R10
46	47	1300316-00	470.0 .25 W 5.0 % CC	2	R13,R46
47	48	1300365-00	1.0 K .25 W 5.0 % CC	3	R26,R35,R43
48	49	1300417-00	2.20 K .25 W 5.0 % CC	1	R8
49	50	1300426-00	2.70 K .25 W 5.0 % CC	1	R23
50	51	1300488-00	12.0 K .25 W 5.0 % CC	1	R4
51	52	1300496-00	15.0 K .25 W 5.0 % CC	1	R24
52	53	1300536-00	100.0 K 1.0 W10.0 % CC	2	R19,R20
53	54	1301317-00	10.0 .25 W 5.0 % CC	3	R7,R15,R25
54	55	1302091-00	330.0 K .25 W 5.0 % CC	2	R30,R51
55	56	1302177-00	47.0 K .25 W 5.0 % CC	1	R31
56	57	1302388-00	2.0 K .25 W 5.0 % CC	1	R29
57	58	1310867-00	680.0 K .25 W 5.0 % CC	1	R33
58	59	1303187-00	820.0 K .25 W 5.0 % CC	1	R5
59	60	1304833-00	1.96 K .25 W 1.0 % RN55D-F10	1	R3
60	61	1304854-00	5.11 K .25 W 1.0 % RN55D-F10	4	R32,R41,R48,R49
61	62	1304862-00	1.62 K .25 W 1.0 % RN55D-F10	1	R16
62	63	1304868-00	2.74 K .25 W 1.0 % RN55D-F10	1	R2
63	64	1305108-00	1.47 K .25 W 1.0 % RN55D-F10	1	R39
64	66	1309422-00	5.10 .25 W 5.0 % CC	1	R34
65	67	1309595-00	1.0 M .25 W 5.0 % CC	3	R36,R40,R42
66	68	1310188-00	300.0 10.0 W 5.0 % WW	1	R28
67	69	1311338-00	82.0 3.0 W 5.0 % WW	2	R21,R11
68	70	1305336-00	200.0 K .25 W 1.0 % RN55D-F10	1	R17
69	71	1313014-00	.01 3.75 W 3.0 % WW	3	R37,R44,R45
70	72	1317917-00	500.0 13.0 W 5.0 % WW	1	R27
71	73	1314187-00	6.19 K .25 W 1.0 % RN55D-F10	1	R18
72	74	1314270-00	5.0 15.0 % NTC THERM	2	R1,R50
73	75	1314350-00	1.0 2.0 W10.0 % FUSE	2	R22,R47
74	76	1510705-00	XA 05 NPN 500MW SI 60 50 P	2	Q3,Q6
75	77	1510706-00	XA 55 PNP 500MW SI 60 50 P	2	Q4,Q5
76	78	1517910-00	2N 6547 NPN TO-3	1	Q7
77	79	1514271-00	D 44Q1 NPN 31W SI	3	Q1,Q2,Q8
78	80	1614272-00	PULSE XFMR,4 WOUND	1	T3

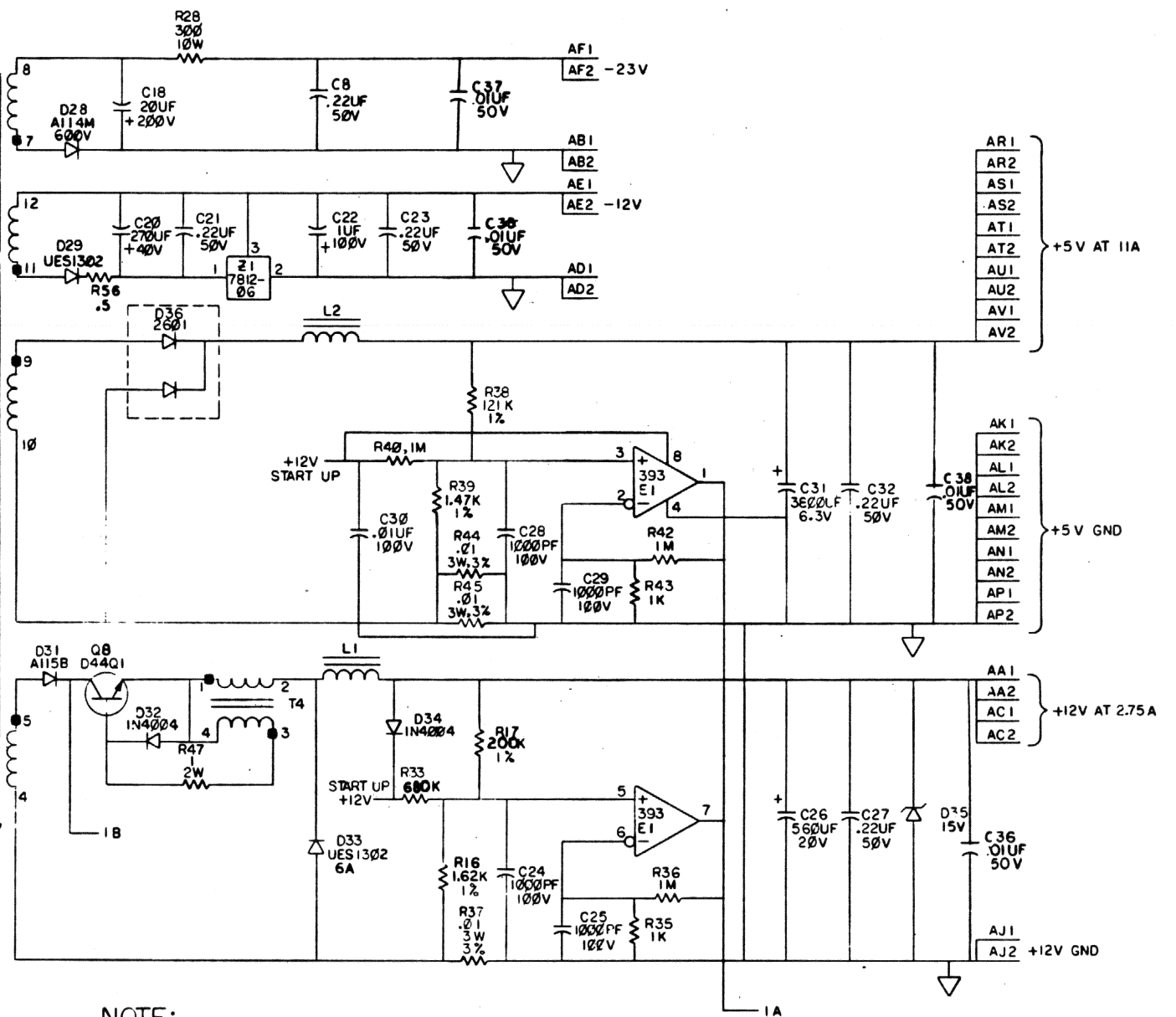
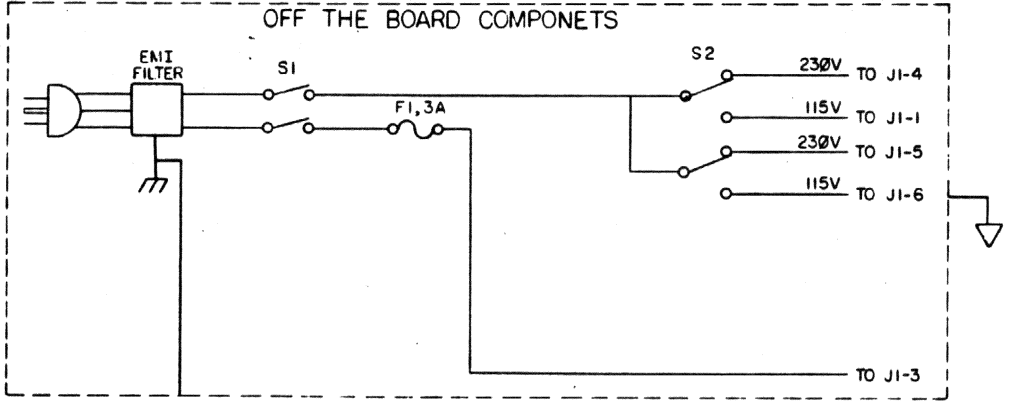
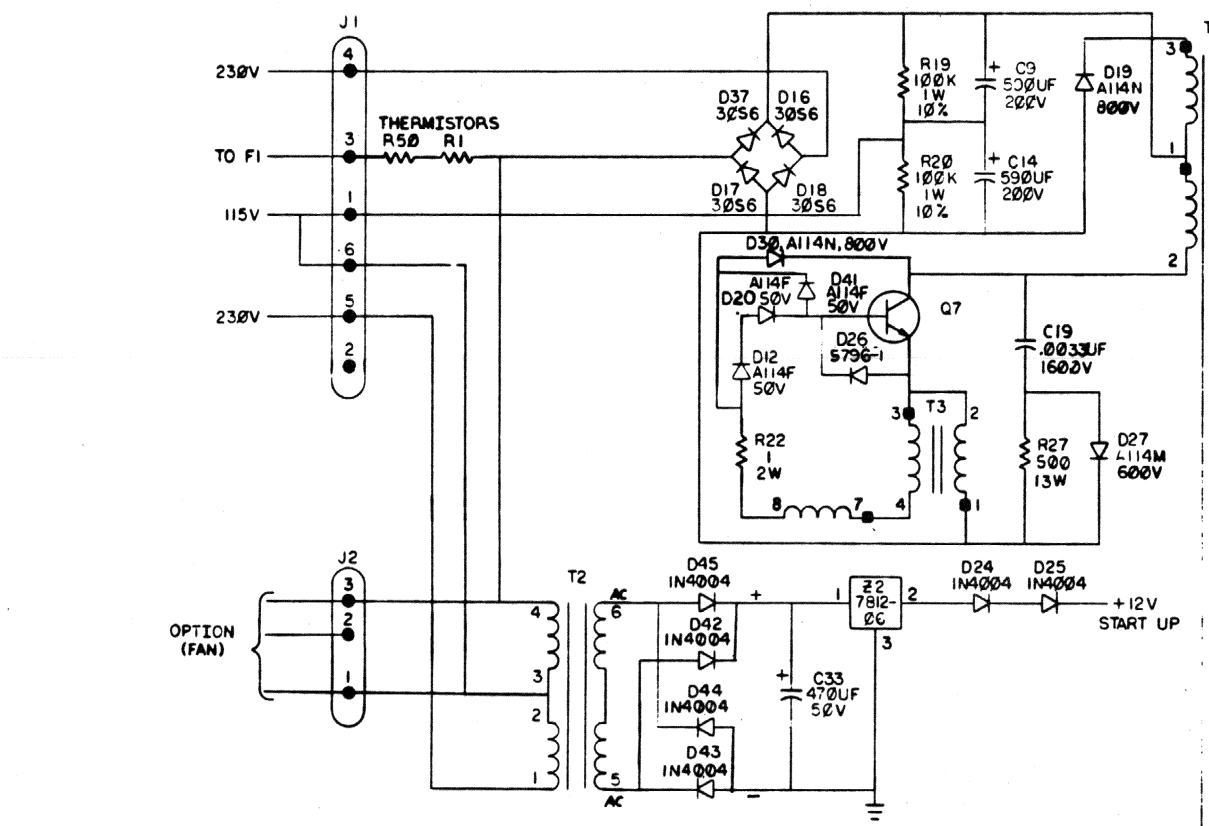
D	I	G	I	T	A	L	TITLE	SECTION A OF A	SIZE	CODE	DOCUMENT NUMBER	REV
							H7831 POWER SUPPLY		K	PL	5412996-0-DBP	P

LINE	ITEM	DOCUMENT NUMBER	PART NUMBER	DESCRIPTION	QTY PER VARIATION 00	REFERENCE DESIGNATOR
79	81		1614273-00	PULSE XFMR, TRI-WOUND	1	T4
80	82		1615251-00	42.0 UH VARIABLE L 11A	1	L2
81	83		1615252-00	210.0 UH VARIABLE 2.75A	1	L1
82	84		1615253-00	XFMR P=AB S=25V	1	T2
83	85		1615668-01	XFMR P=240/480 S=120	1	T1
84	86		1910282-00	301AN OP AMP	1	E2
85	87		1911944-00	555CN TIMER, FUNCT. BLOCK	1	E4
86	88		1912048-06	DEC 7812 VOLT REG, FIX +12V	2	Z1, Z2
87	89		1914156-00	LM 393 VOLT. COMPARATOR DUAL	1	E1
88	90		1914250-00	3524 MODULATOR-REGULATING	1	E5
89	93		9006557-00	NUT, KEP , 4-40X 1/4 AF	3	
90	97		9008172-00	WASHER, FLAT, SS .250 OD X .125 I	4	
91	99		9006660-00	WASHER, FLAT, .375 O.D. X .187 I	2	
92	100		9007793-01	SCREW, PAN, PHIL 6-32X 9/16 SS	4	
93	101		9007801-00	WASHER, LOCK, S.S. #6	4	
94	106		9009236-01	SCREW, TAPPING, TYPE F, PAN , PHIL,	4	
95	108		9009676-00	TERM LUG 1POS SOLDER	1	
96	109		9009795-00	SCREW, PAN, SLOT, SEMS 10-32X 3/8	4	
97	110		9009798-00	SPACER, CERAMIC, .186 ODX.078 ID	10	
98	112		1300197-00	33.0 .25 W 5.0 % CC	1	R52
99	113		1302466-00	100.0 K .25 W 5.0 % CC	1	R53
100	114		1305255-00	121.0 K .25 W 1.0 % RN55D-F10	1	R33
101	115		1001765-00	.005 MFD 100V 20% Z5T DISC	1	C39
102	117		9006010-01	SCREW, PAN, PHIL 4-40X 5/16 SS	3	
103	118		9009769-00	WASHER, RECTANGULAR .405X.225X.0	1	
104	119		9006664-00	WASHER, FLAT, .437 OD X .218 ID	4	
105	120		9006563-00	NUT, KEP , 8-32 X11/32AF	2	
106	121		1105796-01	5796-1PIV=400 I=1A D041	1	D26
107	122		1300285-00	270.0 .50 W 5.0 % CC	1	R55
108	123		1311867-00	.50 3.0 W 1.0 % WW	1	R56

109 NOTE: SEE E-UA-5412996-0-0 FOR ADDITIONAL INSERTION INFORMATION
 110 NOTE: USE 1313191-00 UNTIL EXISTING STOCK HAS BEEN DEPLETED THEN USE 1317917-00.

! D ! I ! G ! I ! T ! A ! L !	! T I T L E	! S I Z E ! C O D E !	! D O C U M E N T N U M B E R !	! R E V !
	H7831 POWER SUPPLY		5412996-0-DBP	P
		SECTION A OF A		

THIS DRAWING AND SPECIFICATIONS HEREBY ARE THE PROPERTY OF DIGITAL EQUIPMENT CORPORATION AND SHALL REMAIN THE PROPERTY OF DIGITAL EQUIPMENT CORPORATION. NO PART OF THIS DRAWING OR SPECIFICATIONS IS TO BE REPRODUCED OR TRANSMITTED IN ANY FORM OR BY ANY MEANS, ELECTRONIC OR MECHANICAL, INCLUDING PHOTOCOPYING, RECORDING, OR BY ANY INFORMATION STORAGE AND RETRIEVAL SYSTEM. © 1977 DIGITAL EQUIPMENT CORPORATION

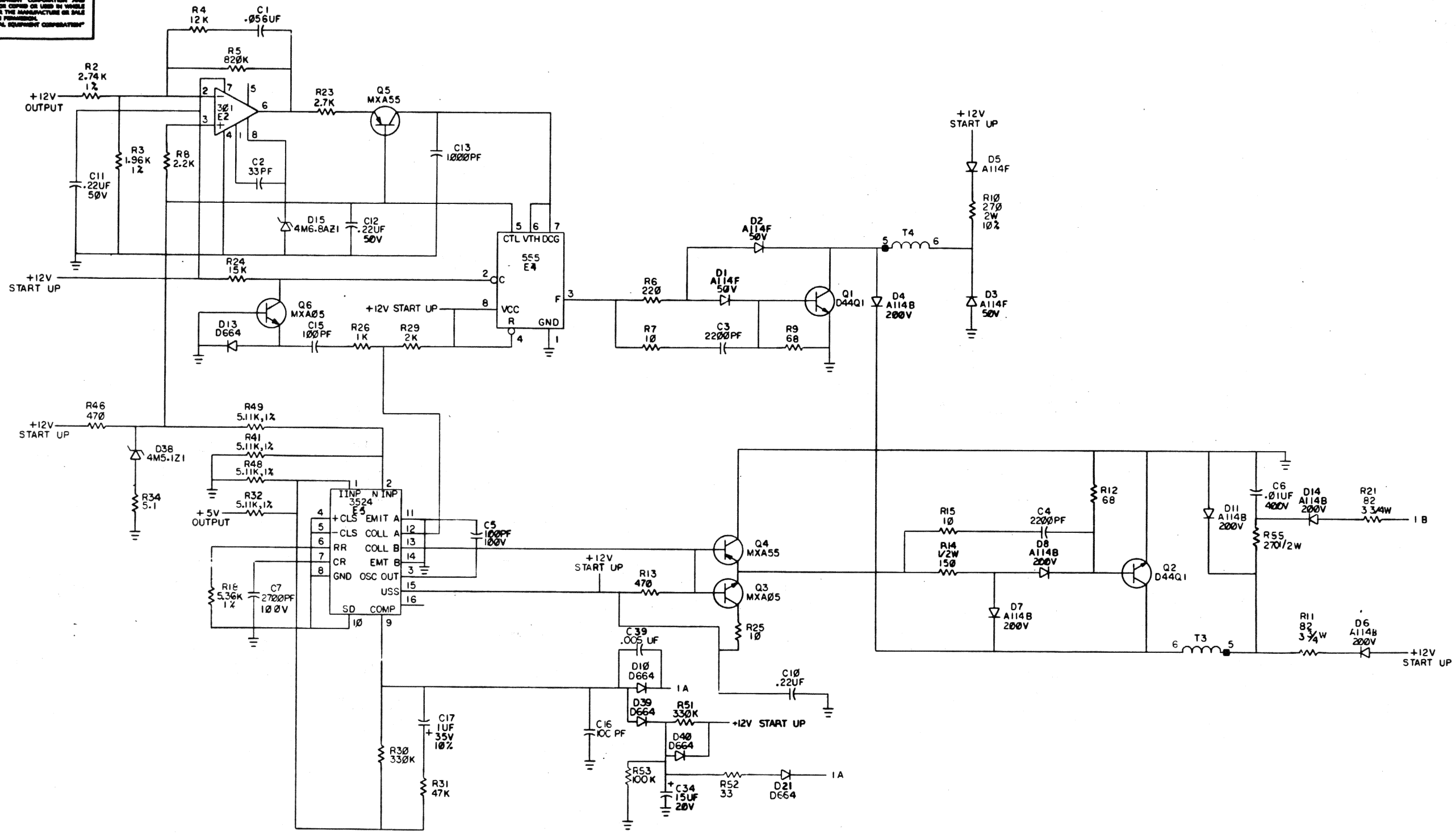


NOTE:
1 UNLESS OTHERWISE INDICATED
ALL RESISTORS ARE 1/4W, 5%.

REV.	DATE	BY	CHK'D	APP'D
1	11/17/77	J. BITTO		
2	1/18/78	L. KING		
3	2/1/78	J. BITTO		
4	2/23/78	J. BITTO		
5	3/01/78	E. JAMES		
6	3/01/78	G. CHRISTIANSEN		
7	3/01/78	G. CHRISTIANSEN		
8	3/01/78	G. CHRISTIANSEN		
9	3/01/78	G. CHRISTIANSEN		
10	3/01/78	G. CHRISTIANSEN		
11	3/01/78	G. CHRISTIANSEN		
12	3/01/78	G. CHRISTIANSEN		
13	3/01/78	G. CHRISTIANSEN		
14	3/01/78	G. CHRISTIANSEN		
15	3/01/78	G. CHRISTIANSEN		
16	3/01/78	G. CHRISTIANSEN		
17	3/01/78	G. CHRISTIANSEN		
18	3/01/78	G. CHRISTIANSEN		
19	3/01/78	G. CHRISTIANSEN		
20	3/01/78	G. CHRISTIANSEN		
21	3/01/78	G. CHRISTIANSEN		
22	3/01/78	G. CHRISTIANSEN		
23	3/01/78	G. CHRISTIANSEN		
24	3/01/78	G. CHRISTIANSEN		
25	3/01/78	G. CHRISTIANSEN		
26	3/01/78	G. CHRISTIANSEN		
27	3/01/78	G. CHRISTIANSEN		
28	3/01/78	G. CHRISTIANSEN		
29	3/01/78	G. CHRISTIANSEN		
30	3/01/78	G. CHRISTIANSEN		
31	3/01/78	G. CHRISTIANSEN		
32	3/01/78	G. CHRISTIANSEN		
33	3/01/78	G. CHRISTIANSEN		
34	3/01/78	G. CHRISTIANSEN		
35	3/01/78	G. CHRISTIANSEN		
36	3/01/78	G. CHRISTIANSEN		
37	3/01/78	G. CHRISTIANSEN		
38	3/01/78	G. CHRISTIANSEN		
39	3/01/78	G. CHRISTIANSEN		
40	3/01/78	G. CHRISTIANSEN		
41	3/01/78	G. CHRISTIANSEN		
42	3/01/78	G. CHRISTIANSEN		
43	3/01/78	G. CHRISTIANSEN		
44	3/01/78	G. CHRISTIANSEN		
45	3/01/78	G. CHRISTIANSEN		
46	3/01/78	G. CHRISTIANSEN		
47	3/01/78	G. CHRISTIANSEN		
48	3/01/78	G. CHRISTIANSEN		
49	3/01/78	G. CHRISTIANSEN		
50	3/01/78	G. CHRISTIANSEN		

DRN. 1-0-9662199	FIRST USED ON H7831	TITLE H7831 POWER SUPPLY
CHK'D [Signature]	ENGR. [Signature]	
PRQ. ENG. [Signature]	PROOF [Signature]	NEXT HIGHER ASSY. B-00-5412996-0
SCALE ++	SHEET 1 OF 2	SIZE CODE D CS
		NUMBER 5412996-0-1
		REV. S

THIS DRAWING AND SPECIFICATIONS, HEREIN, ARE THE PROPERTY OF DIGITAL EQUIPMENT CORPORATION AND SHALL NOT BE REPRODUCED OR COPIED OR USED IN WHOLE OR IN PART AS THE BASIS FOR THE MANUFACTURE OR SALE OF ITEMS WITHOUT WRITTEN PERMISSION.
 COPYRIGHT © 1977 DIGITAL EQUIPMENT CORPORATION



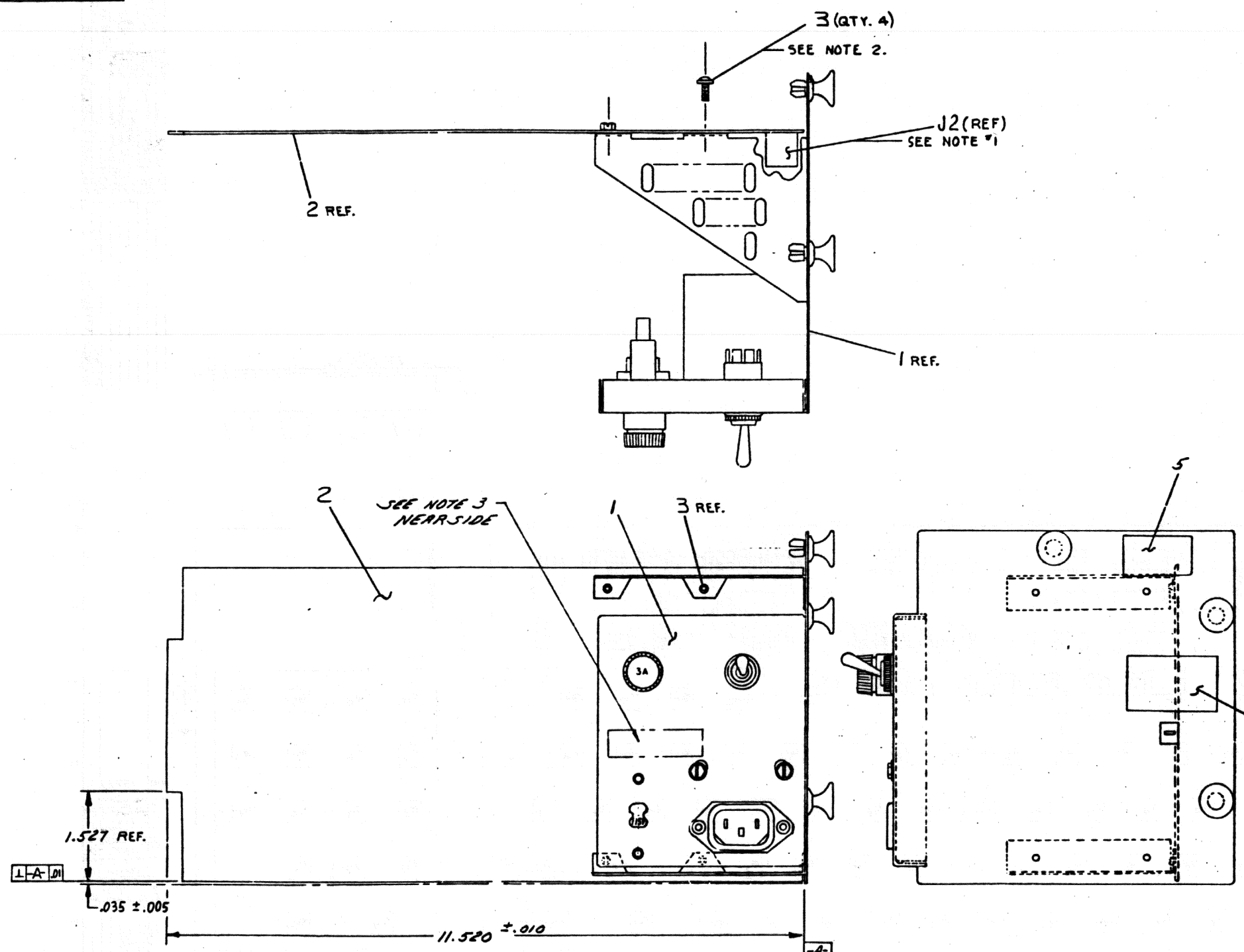
REVISIONS		
CHK	CHANGE NO.	REV.

TITLE	H7831 POWER SUPPLY	SIZE CODE	D CS	NUMBER	5412996-Q-1	REV.	S
SCALE	1:1	SHEET	2	OF	2	DIST.	

DCS 5412996-0-1 2

THIS DRAWING AND SPECIFICATIONS, HEREIN, ARE THE PROPERTY OF DIGITAL EQUIPMENT CORPORATION AND SHALL NOT BE REPRODUCED OR COPIED OR USED IN WHOLE OR IN PART AS THE BASIS FOR THE MANUFACTURE OR SALE OF ITEMS WITHOUT WRITTEN PERMISSION.
 COPYRIGHT © 1977, DIGITAL EQUIPMENT CORPORATION

- NOTES:
- CONNECT PLUG FROM ITEM 1 (7015053-0-0) TO J2 ON ITEM 2 (5412996).
 - INSTALL ITEM 3 AS SHOWN, TYP. 4 PLACES.
 - IDENTIFICATION: STAMP USING 1/8" CHARACTER HEIGHT AS INDICATED BELOW TO HIGHEST LEVEL OF SUBASSEMBLY SPECIFIED ON PURCHASE ORDER AND LOCATE APPROX AS SHOWN ON DRAWING.
 A.) PART NUMBER
 B.) REVISION
 C.) VENDOR IDENTIFICATION.
 - LOCATE ITEM NO. 4 & 5 APPROX AS SHOWN.
 - ADD CSA LABEL 3613211-G1 FOR ALL FAR EAST BUILT UNITS AS DIRECTED BY CORPORATE PRODUCT SAFETY. LABEL TO BE LOCATED UNDER SERIAL LABEL.
 - FOR INDIVIDUAL FIELD SERVICE OR CUSTOMER SPARES SHIPMENTS USE PACKAGING INSTRUCTIONS A-SP-3700552-0-0; FOR BULK INTERPLANT SHIPMENTS USE PACKAGING INSTRUCTION A-SP-3700437-0-0 VARIATION - 00

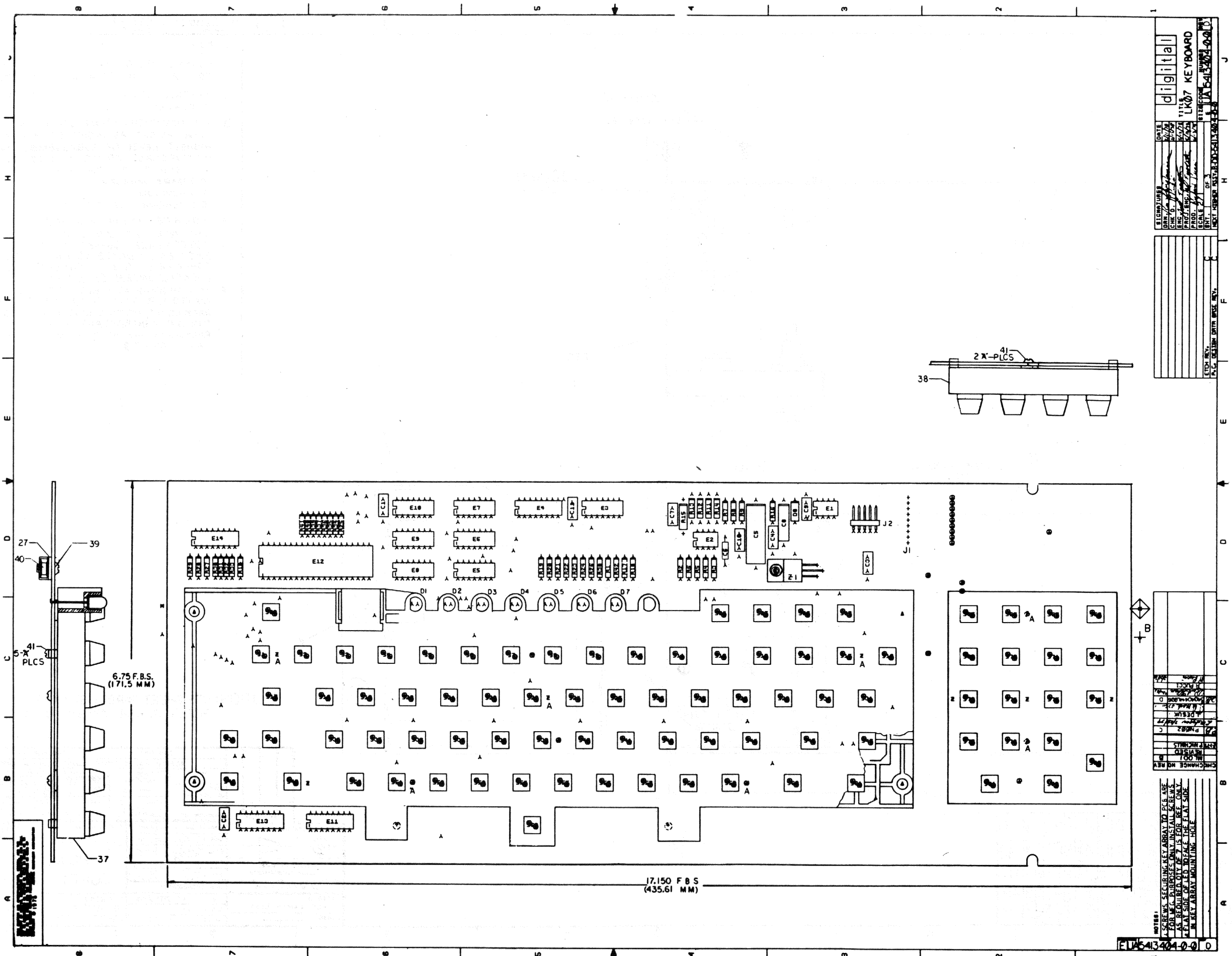


CAUTION: OFF SHEET PARTS LIST EXIST. REFER TO K-PL-7014979-0-DBP

REV.	CHG.	BY	DATE	DESCRIPTION
1	A	J. DEMARINIS	18 AUG 80	REVISED TO 18 AUG 80
2	B	J. DEMARINIS	17 DEC 77	REVISED TO 17 DEC 77
3	C	J. DEMARINIS	12 DEC 77	REVISED TO 12 DEC 77
4	D	J. DEMARINIS	12 DEC 77	REVISED TO 12 DEC 77
5	E	J. DEMARINIS	12 DEC 77	REVISED TO 12 DEC 77
6	F	J. DEMARINIS	12 DEC 77	REVISED TO 12 DEC 77
7	G	J. DEMARINIS	12 DEC 77	REVISED TO 12 DEC 77
8	H	J. DEMARINIS	12 DEC 77	REVISED TO 12 DEC 77

QUANTITY & VARIATION	DESCRIPTION	DWG. PART NO.	ITEM NO.
1	POWER SUPPLY ASSY.	E-LA-VT100-0-0	D AD 7014979-0-0

THIRD ANGLE PROJECTION		FIRST USED ON	
REMOVE BURRS AND BREAK SHARP CORNERS	DO NOT SCALE DWG	VT100	digital
MATERIAL SEE PARTS LIST	FINISH	SCALE 1/1	SHEET 1 OF 1



DATE	11/27/70
CHK'D	[Signature]
ENG.	[Signature]
PROD.	[Signature]
DATE 2/1/71	[Signature]
REV. 1	[Signature]
REV. 2	[Signature]
REV. 3	[Signature]
REV. 4	[Signature]
REV. 5	[Signature]
REV. 6	[Signature]
REV. 7	[Signature]
REV. 8	[Signature]
REV. 9	[Signature]
REV. 10	[Signature]


REV.	1	DATE	11/27/70
REV.	2	DATE	11/27/70
REV.	3	DATE	11/27/70
REV.	4	DATE	11/27/70
REV.	5	DATE	11/27/70
REV.	6	DATE	11/27/70
REV.	7	DATE	11/27/70
REV.	8	DATE	11/27/70
REV.	9	DATE	11/27/70
REV.	10	DATE	11/27/70

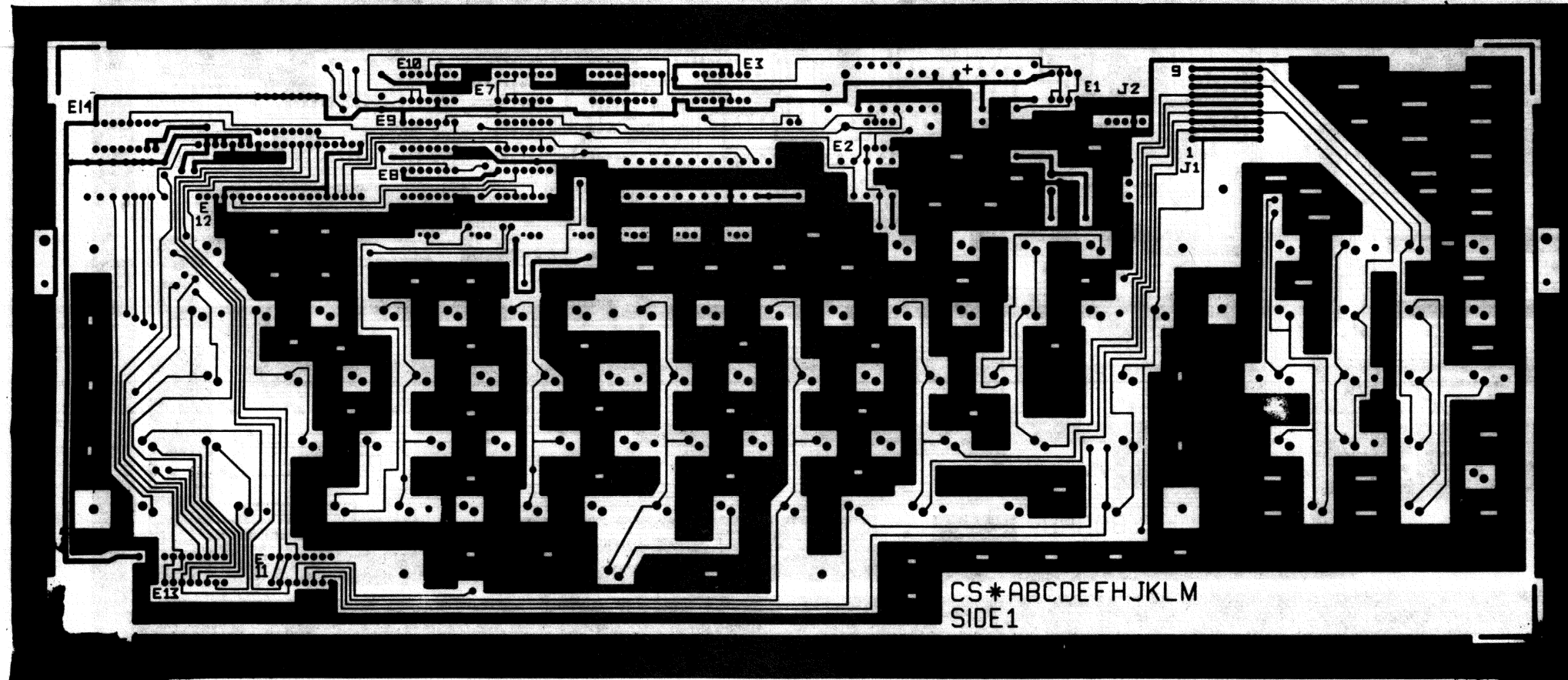
REV.	1	DATE	11/27/70
REV.	2	DATE	11/27/70
REV.	3	DATE	11/27/70
REV.	4	DATE	11/27/70
REV.	5	DATE	11/27/70
REV.	6	DATE	11/27/70
REV.	7	DATE	11/27/70
REV.	8	DATE	11/27/70
REV.	9	DATE	11/27/70
REV.	10	DATE	11/27/70

NOTES:
 1. SCREWS SECURING KEY ARRAY TO PCB ARE
 2. FOR MFG. PURPOSES ONLY INSTALL SCREWS
 3. AS REQUIRED ONLY OF 7 IS FOR REE ONLY.
 4. METAL SIDE OF LED TO FACE THE FLAT SIDE
 5. IN KEY ARRAY MOUNTING HOLE

EUAS4340-0-00

ALL DRAWINGS AND SPECIFICATIONS SHALL BE THE PROPERTY OF THE COMPANY AND SHALL BE KEPT IN CONFIDENTIALITY AND NOT TO BE REPRODUCED OR COPIED IN ANY MANNER WITHOUT THE WRITTEN PERMISSION OF THE COMPANY.
9979

5413404
5013403C-PI  L1

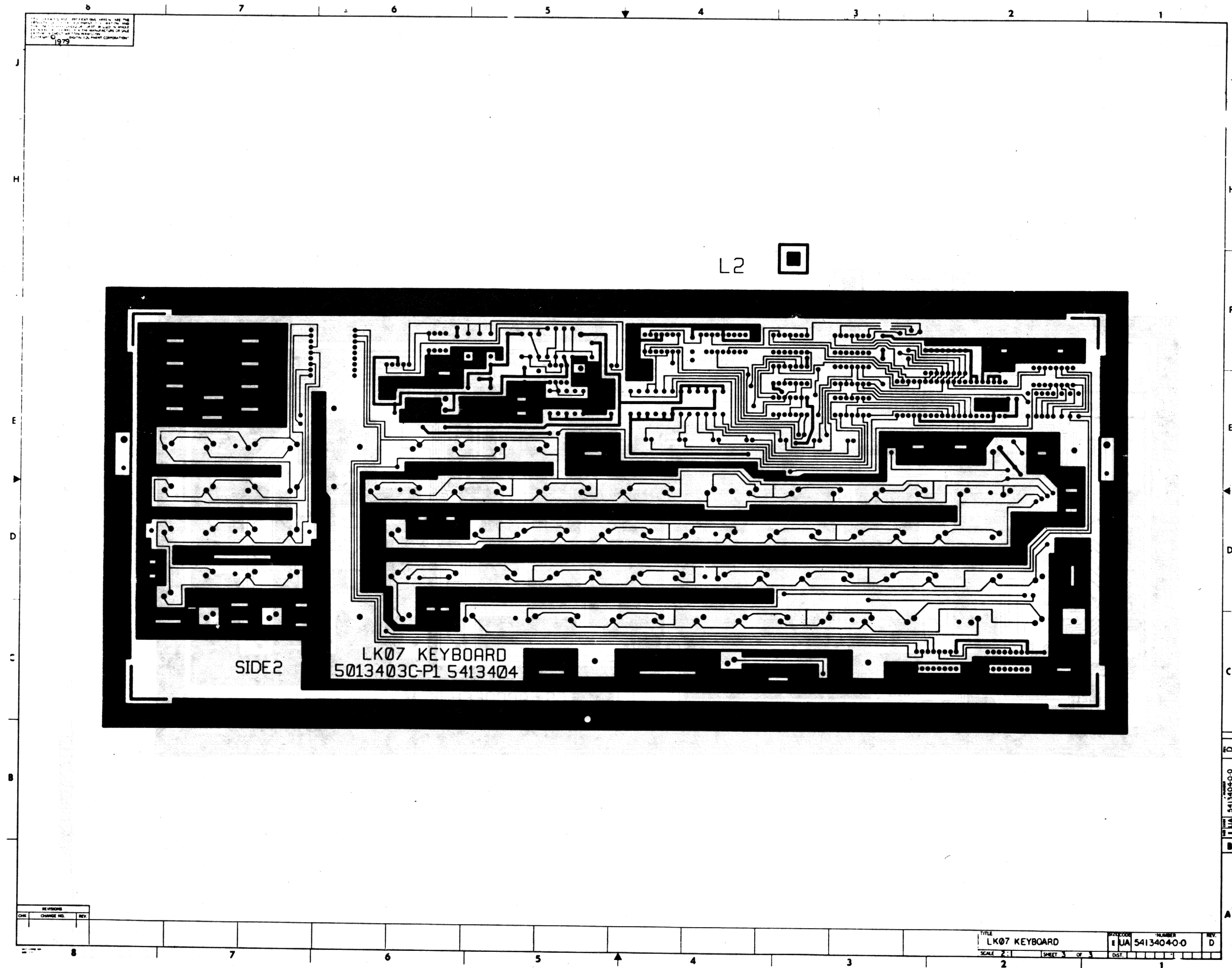


CS*ABCDEFGHIJKLM
SIDE 1

REVISIONS		
CHK	CHANGE NO.	REV.

TITLE	LK07 KEYBOARD	DATE	2000	NUMBER	5413404-0-0	REV.	D
SCALE	2:1	SHEET	2	OF	3	DATE	

FOR THE INFORMATION OF THE USER:
THIS DRAWING IS THE PROPERTY OF THE
MANUFACTURER AND IS NOT TO BE
REPRODUCED OR TRANSMITTED IN ANY
FORM OR BY ANY MEANS, ELECTRONIC,
MECHANICAL, PHOTOCOPYING, RECORDING,
OR BY ANY INFORMATION STORAGE AND
RETRIEVAL SYSTEM, WITHOUT THE
WRITTEN PERMISSION OF THE
MANUFACTURER.
1972



SIDE 2

LK07 KEYBOARD
5013403C-P1 5413404

L2 

REVISIONS		
CHK	CHANGE NO.	REV.

TITLE	LK07 KEYBOARD	DATE		NUMBER		REV.	
SCALE	2:1	SHEET	3	OF	3	DIST.	

5413404-0

LINE	ITEM	DOCUMENT NUMBER	PART NUMBER	DESCRIPTION	QTY	PER VARIATION	REFERENCE DESIGNATOR
1	1	D-MD-5013403-0-0	5013403-00	DRILL & ETCH DRAWING	1		
2	2		1000014-00	68.0 MMF 100V 5%200PPM MICA	1		C7
3	3		1000075-00	25 MFD 25V +75-10% AL EL	1		C5
4	4		1001634-00	1600.0 MMF 100V 5%200PPM MICA	1		C6
5	5		1005306-00	6.8MFD 35V 10% S.TANT	1		C8
6	6		1012784-00	.047 MFD 50V +80-20% CER	6		C1,C2,C4,C9-C11
7	7		1105275-00	D 672 TR= 15NS PIV= 60V SI	1		D8
8	8		1110324-01	LED 1HC0310MA PIV=3 .750 MIN. LE	7		D1-D7
9	9		1215048-00	CONN 5POS RT ANGLE	1		J2
10	10		1300309-00	390.0 .25 W 5.0 % CC	2		R16,R42
11	11		1300315-00	470.0 .50 W 5.0 % CC	1		R15
12	12		1300365-00	1.0 K .25 W 5.0 % CC	6		R10,R19,R21-R24
13	13		1300439-00	3.30 K .25 W 5.0 % CC	9		R26-R33,R38
14	14		1300479-00	10.0 K .25 W 5.0 % CC	11		R2,R3,R17,R25,R34-R37,R39-R41
15	15		1301401-00	750.0 .25 W 5.0 % CC	1		R1
16	16		1301425-00	300.0 .25 W 5.0 % CC	2		R18,R20
17	17		1301874-00	5.60 K .25 W 5.0 % CC	3		R5,R7,R9
18	18		1302391-00	20.0 K .25 W 5.0 % CC	2		R4,R6
19	19		1303155-00	21.50 K .25 W 1.0 % RN55D-F10	1		R12
20	20		1303187-00	820.0 K .25 W 5.0 % CC	1		R8
21	21		1303312-00	10.0 K .25 W 1.0 % RN55D-F10	1		R11
22	22		1304833-00	1.96 K .25 W 1.0 % RN55D-F10	1		R14
23	23		1309412-00	18.20 K .25 W 1.0 % RN55D-F10	1		R13
24	24		1909606-00	7404 INVERTER GATE-HEX 1I	1		E9
25	25		1910406-00	75451 DRIVER PERIPH DUAL	1		E1
26	26		1910741-00	7406 INVERTER GATE-HEX 1I	1		E8
27	27		1912536-01	7805 VOLT REG FIX +5V	1		Z1
28	28		1912649-00	LS75 LATCH 4BIT,BISTABLE	1		E4
29	29		1912799-00	LS00 NAND-GATE-QUAD 2IN,P	1		E5
30	30		1912823-00	LS73 FF-JK DUAL W/CLEAR	1		E3

REVISION HISTORY		BASIC PART NO: 5413404		DRN:	T SHETRAWSKI	DATE:	23-JUL-79	D I G I T A L	
ENG:	ECO NUMBER	REV	SECTION A OF A	CHK'D:	T SHETRAWSKI	DATE:	23-JUL-79	TITLE	PARTS LIST
RP	5413404-ML001	B	SECTION VARIATION INDEX					VT100 FULL KEYBOARD	
J.D	5413404-PN002	C	[A] 00						
J.B	5413404-PN003	D	[B]						
CJ	5413404-ML004	E	[C]	DES.ENG:	M MORGESTERN	DATE:	23-JUL-79		
CJ	5413404-ML005	F	[D]	RESP.ENG.:	M MORGESTERN	DATE:	23-JUL-79	DOCUMENT NUMBER	
			[E]					SIZE	CODE
			[F]	MFG.ENG.:	T CORCIARI	DATE:	23-JUL-79	K	PL
			[H]	ASSEMBLY NUMBER:	D-UA-5413404-0-0	TOP DOCUMENT NUMBER:		5413404-0-DBF	F
			[J]					FILE NAME:	EDIT #
			[K]					20783F.PLS	11
			[L]						
			[M]						
			[N]						

"THIS DRAWING AND SPECIFICATIONS HEREIN, ARE THE PROPERTY OF DIGITAL EQUIPMENT CORPORATION AND SHALL NOT BE REPRODUCED OR COPIED OR USED IN WHOLE OR IN PART AS THE BASIS FOR THE MANUFACTURE OR SALE OF ITEMS WITHOUT WRITTEN PERMISSION. COPYRIGHT (C) 1981. DIGITAL EQUIPMENT CORPORATION"

AUTOMATED BY: PRTLST.3L(34)

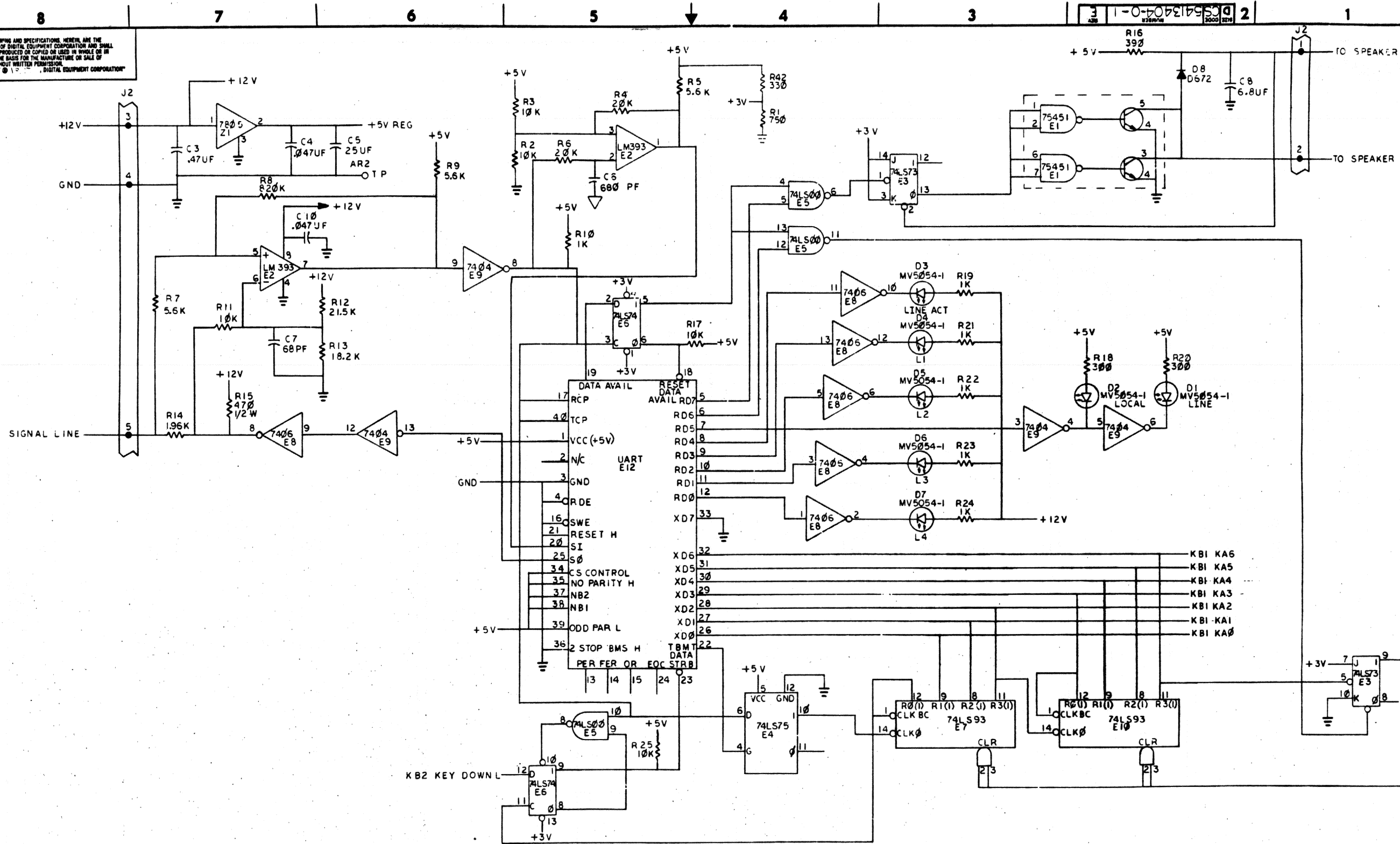
PARTS LIST

SHEET A2 OF A2

LINE	ITEM	DOCUMENT NUMBER	PART NUMBER	DESCRIPTION	QTY PER VARIATION 00	REFERENCE DESIGNATOR
31	31		1912824-00	LS74 FF-D DUAL,EDGE TRIGG	1	E6
32	32		1912844-00	LS151 MUX 1 OF 8 & DATA	1	E14
33	33		1913949-00	LS93 COUNTER,DECADE,4BIT	2	E7,E10
34	34		1913950-00	LS156 DECODER,2 OF 4(DUAL)	2	E11,E13
35	35		1914156-00	LM 393 VOLT.COMPARATOR DUAL	1	E2
36	36		2114137-51	UART MOS N-CHANNEL	1	E12
37	37		7013910-00	KEYBOARD ARRAY ASSY	1	
38	38		7014561-00	18 KEY NUMERIC PAD ASSY	1	
39	39		9006020-01	SCREW,PAN,PHIL 6-32X 1/4 SS	1	
40	40		9008185-00	NUT,KEP 6-32X1/4 AF	1	
41	41		9010033-00	SCREW,PAN,PHILLIPS, 4-24 X 3/8	7	
42	42		1012312-01	.47 MFD 50V +80-20% CER	1	C3

D	I	G	I	T	A	L	TITLE	VT100 FULL KEYBOARD	SECTION A OF A	SIZE	CODE	DOCUMENT NUMBER	REV
										K	PL	5413404-0-DBP	F

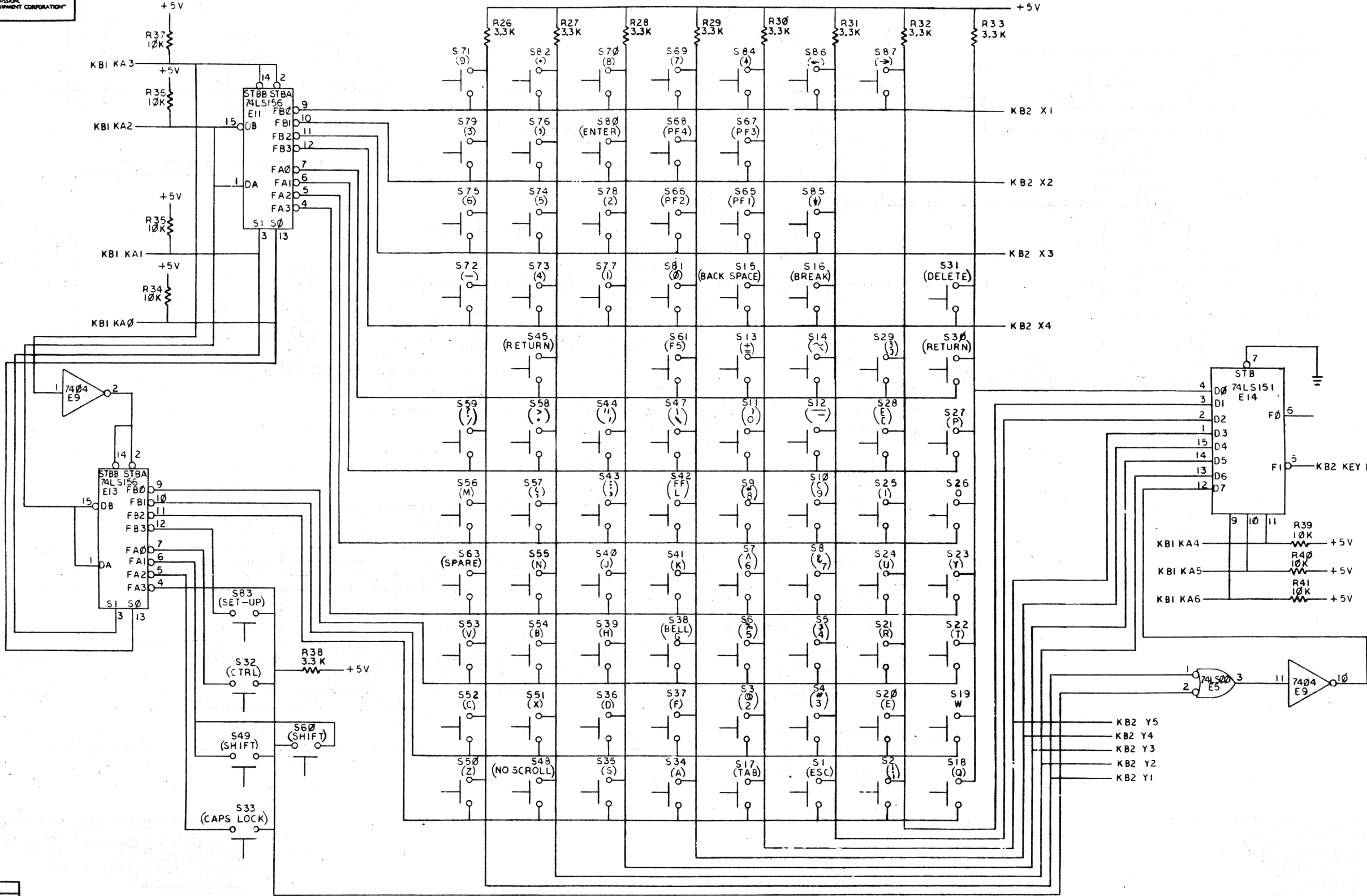
THIS DRAWING AND SPECIFICATIONS, HEREIN, ARE THE PROPERTY OF DIGITAL EQUIPMENT CORPORATION AND SHALL NOT BE REPRODUCED OR COPIED OR USED IN WHOLE OR IN PART AS THE BASIS FOR THE MANUFACTURE OR SALE OF ITEMS WITHOUT WRITTEN PERMISSION.
 COPYRIGHT © 1977, DIGITAL EQUIPMENT CORPORATION



REV.	DATE	BY	CHKD	DESCRIPTION
1				
2				
3				
4				
5				
6				
7				
8				

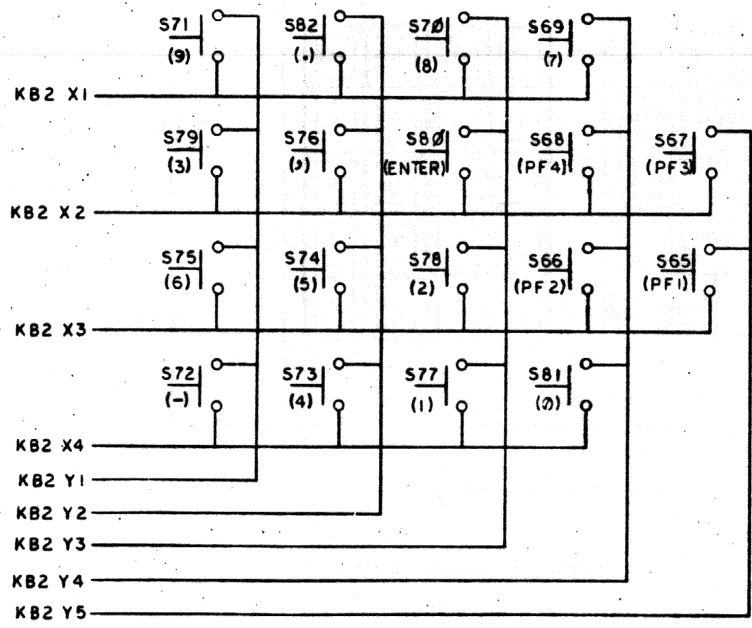
DPN: 7/1/77	29 Nov 77	FILED USED ON	VT100
CHK'D: [Signature]	6/1/77		digital
ENG: [Signature]	12 May 77	TITLE	VT100
PROD: [Signature]	6/13/77		FULL KEYBOARD
			(KBI)
NEXT HIGHER ASSY.			
D-DD-5413404-0-0		SIZE CODE	NUMBER
SCALE	D	CS5413404-0-1	REV.
SHEET	1	OF 3	DIST.

"THIS DRAWING AND SPECIFICATIONS, HEREIN, ARE THE PROPERTY OF DIGITAL EQUIPMENT CORPORATION AND SHALL NOT BE REPRODUCED OR COPIED OR USED IN WHOLE OR IN PART AS THE BASIS FOR THE MANUFACTURE OR SALE OF ITEMS WITHOUT WRITTEN PERMISSION. COPYRIGHT © 1977 DIGITAL EQUIPMENT CORPORATION"



REVISIONS		
CHK	CHANGE NO.	REV.

"THIS DRAWING AND SPECIFICATIONS HEREIN ARE THE PROPERTY OF DIGITAL EQUIPMENT CORPORATION AND SHALL NOT BE REPRODUCED OR COPIED OR USED IN WHOLE OR IN PART AS THE BASIS FOR THE MANUFACTURE OR SALE OF ITEMS WITHOUT WRITTEN PERMISSION. COPYRIGHT © 1977, DIGITAL EQUIPMENT CORPORATION"



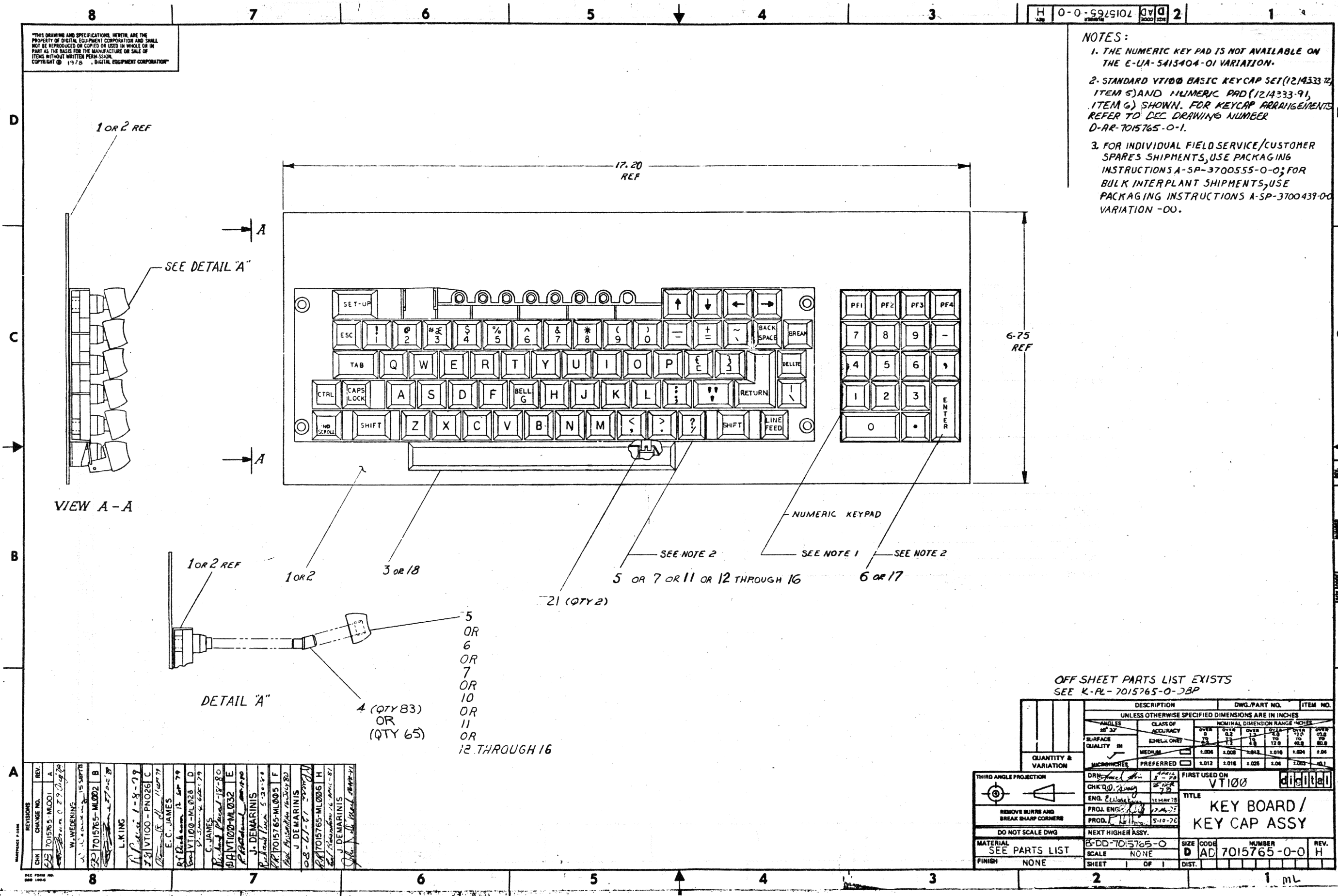
REVISIONS		
CHK	CHANGE NO.	REV.

DCS5413404-0-1 E

THIS DRAWING AND SPECIFICATIONS HEREIN ARE THE PROPERTY OF DIGITAL EQUIPMENT CORPORATION AND SHALL NOT BE REPRODUCED OR COPIED OR USED IN WHOLE OR IN PART AS THE BASIS FOR THE MANUFACTURE OR SALE OF ITEMS WITHOUT WRITTEN PERMISSION.
 COPYRIGHT © 1978, DIGITAL EQUIPMENT CORPORATION

H 0-0-5929102 DAD 2 1

NOTES:
 1. THE NUMERIC KEY PAD IS NOT AVAILABLE ON THE E-UA-5413404-01 VARIATION.
 2. STANDARD VT100 BASIC KEYCAP SET (1214333-12, ITEM 5) AND NUMERIC PAD (1214333-91, ITEM 6) SHOWN. FOR KEYCAP ARRANGEMENTS REFER TO DEC DRAWING NUMBER D-AR-7015765-0-1.
 3. FOR INDIVIDUAL FIELD SERVICE/CUSTOMER SPARES SHIPMENTS, USE PACKAGING INSTRUCTIONS A-SP-3700555-0-0; FOR BULK INTERPLANT SHIPMENTS, USE PACKAGING INSTRUCTIONS A-SP-3700439-0-0 VARIATION -00.



OFF SHEET PARTS LIST EXISTS
 SEE K-PL-7015765-0-08P

DESCRIPTION	DWG./PART NO.	ITEM NO.
UNLESS OTHERWISE SPECIFIED DIMENSIONS ARE IN INCHES		
ANGLES	CLASS OF ACCURACY	MINIMAL DIMENSION RANGE INCHES
SURFACE QUALITY	SURFACE FINISH	FINISH
QUANTITY & VARIATION	MICROFINISHES	PREFERRED
THIRD ANGLE PROJECTION	DRN	FIRST USED ON
REMOVE BURRS AND BREAK SHARP CORNERS	CHK'D	TITLE
DO NOT SCALE DWG	PROJ. ENG.	KEY BOARD / KEY CAP ASSY
MATERIAL SEE PARTS LIST	SCALE	SIZE CODE
FINISH NONE	SHEET	NUMBER
	OF	REV.
	DIST.	

REV.	CHANGE NO.	DESCRIPTION
1	7015765-ML001	A
2	7015765-ML002	B
3	7015765-ML003	C
4	7015765-ML004	D
5	7015765-ML005	E
6	7015765-ML006	F
7	7015765-ML007	G
8	7015765-ML008	H
9	7015765-ML009	I
10	7015765-ML010	J

LINE	ITEM	DOCUMENT NUMBER	PART NUMBER	DESCRIPTION	QUANTITY PER VARIATION										
					00	01	02	03	04	05	06	07	08	09	
1	1	E-AD-5413404-0-0	5413404-00	VT100 FULL KEYBOARD	1	-	1	1	1	1	1	1	1	1	1
2	2	E-AD-5413404-0-0	5413404-01	KEYBOARD ASSY (64 KEYS)	-	1	-	-	-	-	-	-	-	-	-
3	3	C-AD-7015050-0-0	7015050-00	SPACE BAR ASSY	1	1	1	1	1	1	1	1	1	1	-
4	4		1214332-00	SW,ARRAY CAP ADAPTER	83	65	83	83	83	83	83	83	83	83	83
5	5		1214333-72	KEYCAP SET,VT100 64PCS	1	1	-	-	-	-	-	-	-	-	-
6	6		1214333-91	KEYCAP SET,LA120/34 VT100 18PCS	1	-	-	-	-	-	-	-	-	-	-
7	7		1214333-C0	KEYCAP SET,VT100-NA 82PCS	-	-	1	-	-	-	-	-	-	-	-
8	8		7420120-00	*** THIS ITEM IS NOT USED ***	-	-	-	-	-	-	-	-	-	-	-
9	9	D-AR-7015765-0-1		KEYBOARD/KEYCAP ASSY	REF	REF	REF	REF	REF	REF	REF	REF	REF	REF	REF
10	10		1214333-J0	KEYCAP SET,VT100-WA 82PCS	-	-	-	1	-	-	-	-	-	-	-
11	11		1214333-W2	SW,KEY BD CAP COMP SET U3-W1	-	-	-	-	1	-	-	-	-	-	-
12	12		1214333-CP	KEYCAP SET,VT100-WB 82PCS	-	-	-	-	-	1	-	-	-	-	-
13	13		1214333-CB	KEYCAP SET,VT100-WB 82PCS	-	-	-	-	-	-	1	-	-	-	-
14	14		1214333-BU	KEYCAP SET,VT100-WB 82PCS	-	-	-	-	-	-	-	1	-	-	-
15	15		1214333-EY	KEYCAP SET,VT100-WB 82PCS	-	-	-	-	-	-	-	-	1	-	-
16	16		1214333-2Y	KEYCAP SET,VT100 64PCS	-	-	-	-	-	-	-	-	-	1	-
17	17		1214333-3W	KEYCAP SET,LA120/34 VT100 18PCS	-	-	-	-	-	-	-	-	-	1	-
18	18	D-AD-7015050-0-0	7015050-01	SPACE BAR ASSY. GRAY	-	-	-	-	-	-	-	-	-	-	1
19	19	A-SP-3700555-0-0	3700555-00	PKG KEYBOARD 7015765	1	1	1	1	1	1	1	1	1	1	1
20	20	A-SP-3700439-0-0	3700439-00	INSTR PKG. BULK CARTON 99-06476-	1	1	1	1	1	1	1	1	1	1	1
21	21	C-MD-7424160-0-0	7424160-00	SPACE BAR EQUALIZER CLIP	2	2	2	2	2	2	2	2	2	2	2

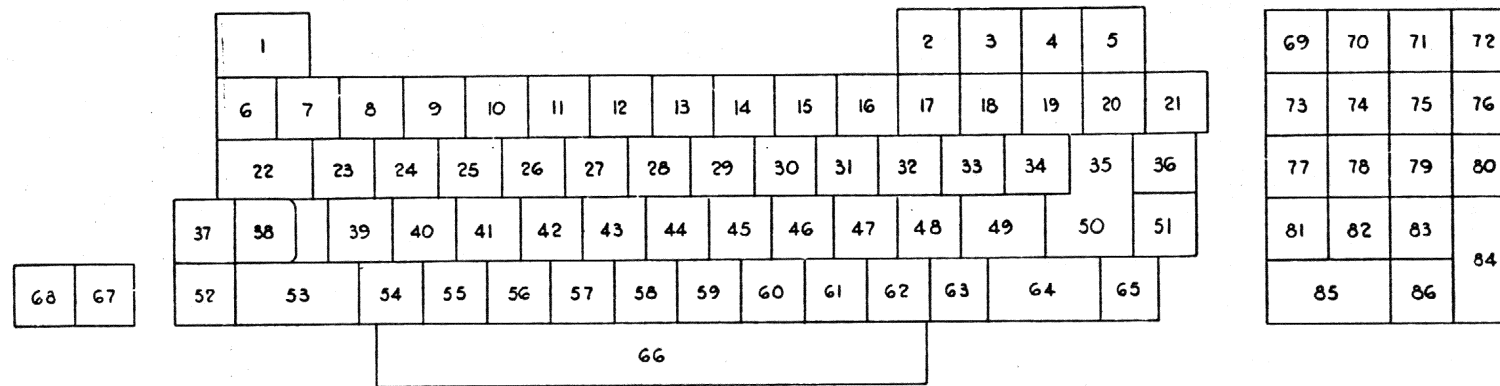
REVISION HISTORY		BASIC PART NO: 7015765		DRN:	ANGEL COLON	DATE:	3 APR 78	D I G I T A L			
ENG	ECO NUMBER	REV	SECTION A OF A	CHK'D:	D. HEALY	DATE:	7 APR 78	TITLE PARTS LIST			
---	INITIAL	F	SECTION. VARIATION INDEX					KEYBOARD/KEYCAP ASSEMBLY			
JD	7015765-ML005	F	[A] 00,01,02,03,04,05,								
JD	7015765-ML006	H	06,07,08,09								
			[B]	DES.ENG.:	E. WEDEKING	DATE:	10 MAY 78				
			[C]					DOCUMENT NUMBER			
			[D]	RESP.ENG.:	G. DOUMANI	DATE:	17 MAY 7				
			[E]					SIZE	CODE	NUMBER	REV
			[F]	MFG.ENG.:	K. HOFFMAN	DATE:	10 MAY 78	K	PL	7015765-0-DBP	H
				ASSEMBLY NUMBER:		TOP DOCUMENT NUMBER:		FILE NAME:		EDIT #	
				D-AD-7015765-0-0		#B-DD-7015765-0		Z1933H.PLS		6	

"THIS DRAWING AND SPECIFICATIONS HEREIN, ARE THE PROPERTY OF DIGITAL EQUIPMENT CORPORATION AND SHALL NOT BE REPRODUCED OR COPIED OR USED IN WHOLE OR IN PART AS THE BASIS FOR THE MANUFACTURE OR SALE OF ITEMS WITHOUT WRITTEN PERMISSION. COPYRIGHT (C) 1981. DIGITAL EQUIPMENT CORPORATION "

"THIS DRAWING AND SPECIFICATIONS, HEREIN, ARE THE PROPERTY OF DIGITAL EQUIPMENT CORPORATION AND SHALL NOT BE REPRODUCED OR COPIED OR USED IN WHOLE OR IN PART AS THE BASIS FOR THE MANUFACTURE OR SALE OF ITEMS WITHOUT WRITTEN PERMISSION. COPYRIGHT © 1975, DIGITAL EQUIPMENT CORPORATION"

NOTES:

1. THE FOLLOWING TABLE (SHEET 2) LISTS VARIATION NUMBERS FOR 124333 (KEYCAPS) INDICATING THE SPECIFIC KEYBOARD POSITION OF EACH AS USED ON VARIOUS MODELS.



KEYBOARD CAP POSITIONS
(SEE NOTE 1 & TABLE, SHEET 2)

REV.	CHANGE NO.	DATE	BY	CHK'D
1	7015765-MLO02 A	1/15/77	L. KING	
2	7015765-MLO02 B	1/15/77	R. P. [Signature]	
3	7015765-MLO02 C	1/15/77	E. C. JAMES	
4	7015765-MLO02 D	1/15/77	J. DEMARINIS	
5	7015765-MLO03 E	1/15/77	F. HARMEN	
6	7015765-MLO04 F	1/15/77		
7	7015765-MLO05 G	1/15/77		
8	7015765-MLO06 H	1/15/77		

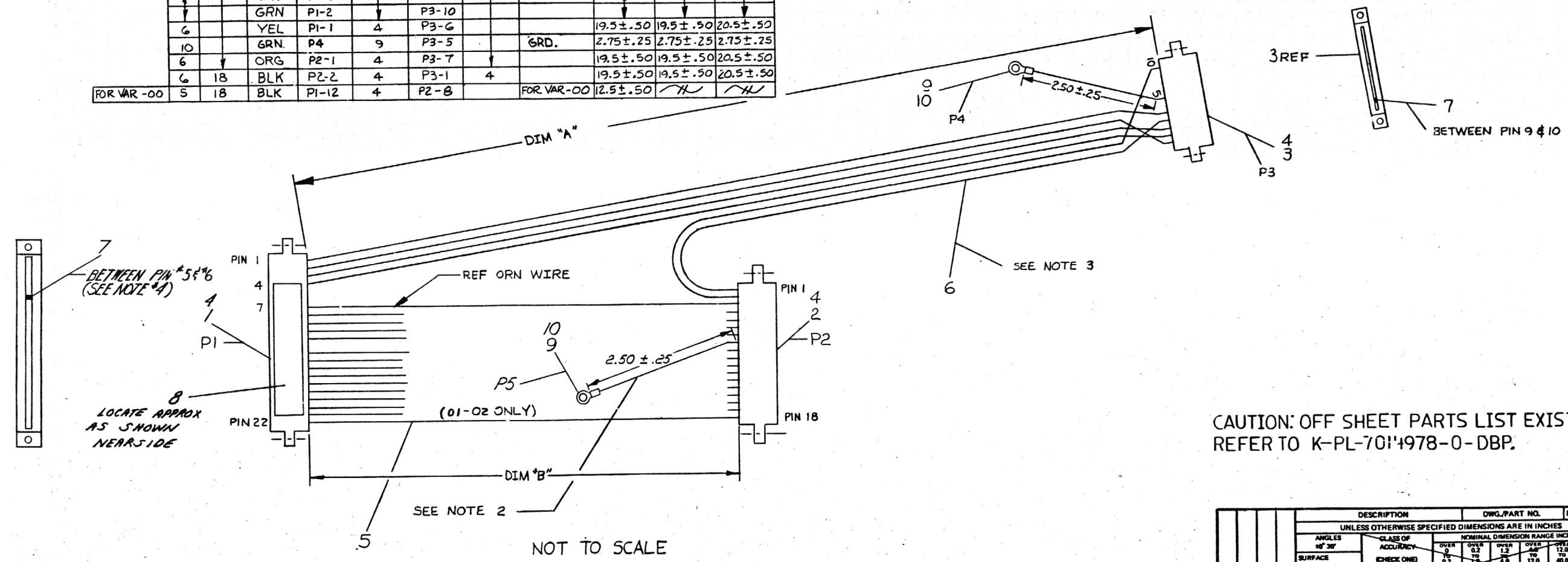
DESCRIPTION	DWG. PART NO.	ITEM NO.
UNLESS OTHERWISE SPECIFIED DIMENSIONS ARE IN INCHES		
ANGLES 30° 30'	CLASS OF ACCURACY (CHECK ONE)	NOMINAL DIMENSION RANGE INCHES
SURFACE QUALITY IN	MICROINCHES	OVER 0.125
		0.125 TO 0.250
QUANTITY & VARIATION	PREFERRED	0.250 TO 0.375
		0.375 TO 0.500
THIRD ANGLE PROJECTION	DRN. R. KING	25 JUN 78
REMOVE BURRS AND BREAK SHARP CORNERS	CHK'D [Signature]	FIRST USED ON
DO NOT SCALE DWG	ENGR. [Signature]	VT100
MATERIAL	PROL. ENG. [Signature]	TITLE
FINISH	PROD. [Signature]	KEYBD CAP-POSITION ARRANGEMENT
	D-AD-7015765-0-0	SIZE CODE
	SCALE NONE	D
	SHEET 1 OF 2	NUMBER
		AR 7015765-0-1
		DIST.

THIS DRAWING AND SPECIFICATIONS, HEREIN, ARE THE PROPERTY OF DIGITAL EQUIPMENT CORPORATION AND SHALL NOT BE REPRODUCED OR COPIED IN WHOLE OR IN PART AS THE BASIS FOR THE MANUFACTURE OR SALE OF ITEMS WITHOUT WRITTEN PERMISSION. COPYRIGHT © 1977 DIGITAL EQUIPMENT CORPORATION

ITEM NO	DESCRIPTION	FROM		TO		REMARKS	PRECUT WIRE LG FOR VAR-00	PRECUT WIRE LG FOR VAR-01-03	PRECUT WIRE LG FOR VAR-02
		CONN.	WITH	CONN.	WITH				
5	18 RED	PI-22	4	P2-18	4		12.5 ± .50	12.5 ± .50	14.5 ± .50
	RED	PI-21		P2-17					
	RED	PI-20		P2-16					
	RED	PI-19		P2-15					
	RED	PI-18		P2-14					
	BLK	PI-17		P2-13					
	BLK	PI-16		P2-12					
	BLK	PI-15		P2-11					
	BLK	PI-14		P2-10					
5	BLK	PI-13	4	P2-9			12.5 ± .50	12.5 ± .50	14.5 ± .50
FOR VAR-01,02,03	10 GRN	P5	9	P2-8		GRD. FOR VAR-01,02,03	2.75 ± .25	2.75 ± .25	2.75 ± .25
5	YEL	PI-11	4	P2-7			12.5 ± .50	12.5 ± .50	14.5 ± .50
	RED	PI-10		P2-6					
	BLUE	PI-9		P2-5					
	BLK	PI-8		P2-4					
5	ORG	PI-7		P2-3			12.5 ± .50	12.5 ± .50	14.5 ± .50
6	WHT	PI-4		P3-9			19.5 ± .50	19.5 ± .50	20.5 ± .50
	GRY	PI-3		P3-8					
	GRN	PI-2		P3-10					
6	YEL	PI-1	4	P3-6			19.5 ± .50	19.5 ± .50	20.5 ± .50
10	GRN	P4	9	P3-5		GRD.	2.75 ± .25	2.75 ± .25	2.75 ± .25
6	ORG	P2-1	4	P3-7			19.5 ± .50	19.5 ± .50	20.5 ± .50
6	18 BLK	P2-2	4	P3-1	4		19.5 ± .50	19.5 ± .50	20.5 ± .50
FOR VAR-00	5 18 BLK	PI-12	4	P2-8		FOR VAR-00	12.5 ± .50		

OVER ALL CABLE LG.		
VARIATION	DIM A	DIM B
7014978-00	19.50 ± .50	12.50 ± .50
7014978-01	19.50 ± .50	12.50 ± .50
7014978-02	20.50 ± .50	14.50 ± .50
7014978-03	19.50 ± .50	12.50 ± .50

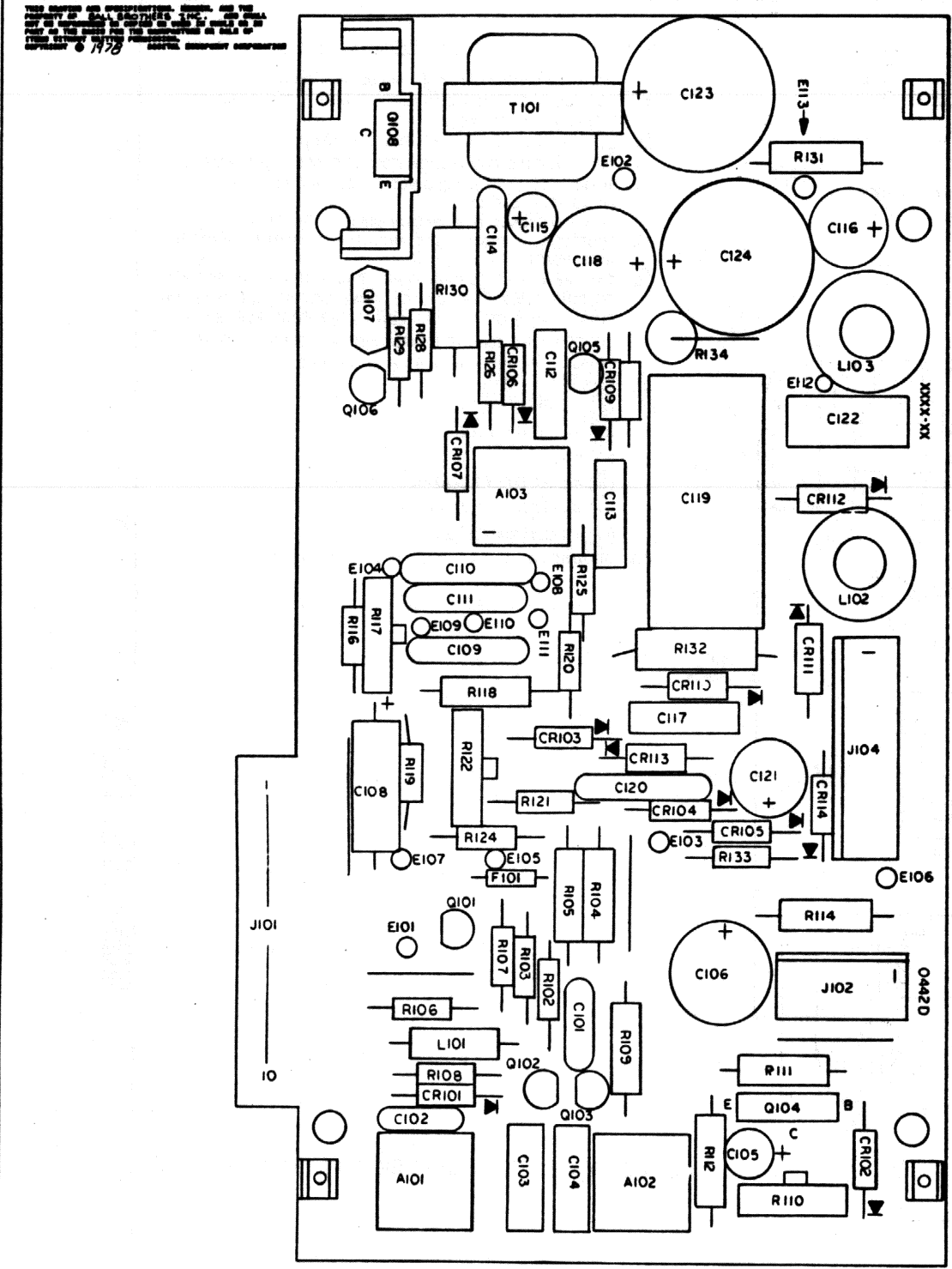
- NOTES:
- IDENTIFICATION: DECAL USING 1/8" CHARACTER HEIGHT AS INDICATED BELOW TO HIGHEST LEVEL OF SUBASSEMBLY SPECIFIED ON PURCHASE ORDER AND LOCATE APPROX. AS SHOWN ON DRAWING.
 - A.) PART NUMBER
 - B.) REVISION
 - C.) VENDOR IDENTIFICATION
 - D.) DATE, CCDE
 - ON VARIATION (-01,-02,-03) CUT BACK BLK. WIRE FROM P2-8 TO PI-12 2.5 ± .25 IN. FROM BOTH ENDS.
 - CUT BACK ORN & BLK WIRES OF (ITEM#6) TO 12.5 ± .25 IN.
 - THE KEY PLUG IS ADDED BETWEEN PINS #5 & #6 OF PI FOR VARIATION-03 ONLY.



CAUTION: OFF SHEET PARTS LIST EXISTS. REFER TO K-PL-7014978-0-DBP.

REV.	DESCRIPTION	DATE
1	INITIAL DESIGN	12-11-78
2	REVISED FOR MFG	1-11-79
3	REVISED FOR MFG	5-10-78
4	REVISED FOR MFG	5-10-78
5	REVISED FOR MFG	5-10-78
6	REVISED FOR MFG	5-10-78
7	REVISED FOR MFG	5-10-78
8	REVISED FOR MFG	5-10-78

DESCRIPTION	DWG. PART NO.	ITEM NO.
UNLESS OTHERWISE SPECIFIED DIMENSIONS ARE IN INCHES		
ANGLES 45° 30°	CLASS OF ACCURACY (CHECK ONE)	NOMINAL DIMENSION RANGE INCHES
SURFACE QUALITY IN	MEDIUM	OVER 9 TO 12.5 OVER 12.5 TO 25 OVER 25 TO 40.0 OVER 40.0 TO 60.0
QUANTITY & VARIATION	MICROINCHES	PREPARED
THIRD ANGLE PROJECTION	DRN. <i>[Signature]</i> 1/28/77	FIRST USED ON VT100
REMOVE BURRS AND BREAK SHARP CORNERS	CHK'D. <i>[Signature]</i> 2/2/77	TITLE POWER CABLE ASSY
DO NOT SCALE DWG	ENGR. <i>[Signature]</i> 1/28/77	NUMBER 7014978-0-0
MATERIAL SEE PARTS LIST	PROD. <i>[Signature]</i> 5-10-78	REV. D
FINISH	SCALE NONE	SHEET 1 OF 1
		DIST. 1 ML3



REF SYM	DESCRIPTION	PART NUMBER
RESISTOR, FIXED, CARBON, 5%, 1/4W UNLESS NOTED		
R101	47	70-16-0470
R102	30	70-16-0300
R103	47	70-16-0470
R104	220, 1/2W	1-011-2254
R105	820, 1/2W	1-011-2288
R106	470	70-16-0471
R107	390	70-16-0391
R108	100K	70-16-0104
R109	180, 1/2W	1-011-2252
R110	VAR; 250 20K, CO VERT HGT	70-89-0251
R111	12, 1/2W	1-011-2224
R112	15, 1/2W	1-011-2228
R113	NOT USED	
R114	1.5K; 1/2W	1-011-2274
R115	NOT USED	
R116	62K	70-16-0623
R117	100K, 20P	1-011-5435
R118	30K; 1/2W	1-011-2305
R119	9.1K	70-16-0812
R120	8.2K	70-16-0825
R121	100K	70-16-0104
R122	VAR; 2.5M 20K, CO FOC ADJ	1-011-5598
R123	NOT USED	
R124	510	70-16-0511
R125	7K	70-16-0102
R126	20K	70-16-0203
R127	3.3K	70-16-0332
R128	15K	70-16-0153
R129	2.4K	70-16-0242
R130	56 10; 3W, WW	1-011-2521
R131	1.2; 1/2W, CO	1-011-2520
R132	1.2 10K; 2W, WW	1-011-1395
R133	6.8K	70-16-0682
R134	1.8, 2W	1-011-2417
R135	NOT USED	
TRANSFORMER		
T2	HIGH VOLTAGE	6-003-0586
T101	HORIZ DRIVER	1-017-5402
MISCELLANEOUS		
	*CRT SOCKET	1-022-0427
	WIRE STRD GRN	1-038-0345
	HEATSINK	1-015-5059
	WIRE STRD BLU	1-038-0346
	WIRE STRD RED	1-038-0342
	CONTACT, FEMALE 6 2	1-034-8382
	MONSCR 6-32X1/4	3-011-0310
	NUT 6-32	3-013-0180
	LK NSWR #6	1-029-0442
	PNB	1-034-0295
	CONTACT, MALE	1-034-0323
	CONN SHELL, 1 CONT FEMALE	
WIRE TERMINATION DATA		
E103	CRT SOCKET YEL LEAD	
E105	CRT SOCKET BRN LEAD	
E107	CRT SOCKET BLK LEAD	
E108	CRT SOCKET RED LEAD	
E109	CRT SOCKET WHT LEAD	
E110	GRN WIRE 6.5 INCHES	
E111	CRT SOCKET GRN LEAD	
E112	BLUE WIRE 10 INCHES	
E113	RED WIRE 10 INCHES	

- NOTES:
- REFERENCE SCHEMATIC 1-024-0603
 - ALL REFERENCE SYMBOL NUMBERS 1 TO 99 ARE USED FOR ALL OFF BOARD COMPONENTS AND NUMBERS 100 TO 999 ARE USED FOR THE PMA COMPONENTS.
 - ALL PMA COMPONENTS PRECEDED WITH AN ASTERISK ARE NOT PART OF THE BASIC BOARD 6-200-0001.

PARTS LIST, TVX 120/DEC		
REF SYM	DESCRIPTION	PART NUMBER
A101	RES TRIM, 60K, VERT HOLD	1-011-8008
A102	RES TRIM, 20K, VERT LIM	1-011-8005
A103	RES TRIM, 2.5K, VIDEO CENTER	1-011-8001
CAPACITOR, FIXED, UF UNLESS NOTED		
C101	270PF 5%, 500V, OM	1-012-0398
C102	.005 20K, 100V, CO	10-12-7508
C103	.22 10K, 100V, MY	1-012-2277
C104	.22 10K, 100V, MY	1-012-2277
C105	.0022 10K, 630V, MY	1-012-2279
C106	.68 50V, E	1-012-2286
C108	470, 6.3V, E	1-012-2158
C107	NOT USED	
C108	22, 25V, E	1-012-1380
C109	.01 20K, 1000V, CO	1-012-2214
C110	.02 20K, 1000V, CO	1-012-2217
C111	.01 20K, 1000V, CO	1-012-2214
C112	.0022 10K, 630V, MY	1-012-2254
C113	.0047 20K, 630V, MY	1-012-2279
C114	.01 20K, 100V, CO	10-12-7208
C115	1, 50V, E	1-012-2189
C116	50, 50V, E	1-012-2187
C117	.047 20K, 250V, MY	1-012-2240
C118	220, 25V, E	1-012-2158
C119	10 10K, 100V, MY	1-012-2255
C120	.02 20K, 500V, CO	1-012-0780
C121	50, 50V, E	1-012-2157
C122	.022 10K, 250V, PP	1-012-2287
C123	10, 25V, ER	1-012-2273
C124	10, 25V, ER	1-012-2273
DIODE		
CR1	00424	1-021-0424
CR101	00410	1-021-0410
CR102	00410	1-021-0410
CR103	00410	1-021-0410
CR104	00410	1-021-0410
CR105	00410	1-021-0410
CR106	00410	1-021-0410
CR107	00410	1-021-0410
CR108	NOT USED	
CR109	00410	1-021-0410
CR110	00403	1-021-0403
CR111	00458	1-021-0458
CR112	00458	1-021-0458
CR113	00403	1-021-0403
CR114	00410	1-021-0410
FUSE		
F101	2A-125V P100	1-028-0247
CONNECTORS		
J102	CONNECTOR, 4 PIN MALE	1-039-0146
J102	NOT USED	
J104	CONNECTOR, 7 PIN MALE	1-039-0145
COIL		
L1	VERTICAL CHONE	6-003-0572
L2	DEFLECTION, TVX 120/12V	1-023-0248
L101	560UH	1-016-0302
L102	LINEARITY	1-016-0328
L103	WIDTH	1-016-0303
TRANSISTOR		
Q101	2N5830	1-015-1172
Q102	2N6027	1-015-1157
Q103	MPS-465	1-015-1186
Q104	MJE3055	1-015-1156
Q105	2N4134	1-015-1130
Q106	2N4124	1-015-1130
Q107	MPS-105	1-015-1150
Q108	BL407	1-015-1210

NOTES:
 1) FLYBACK TRANSFORMER REPLACEMENT 3014590-01
 2) PRINTED CIRCUIT BOARD REPLACEMENT 3014590-02

CHK	CHANGE NO	REV

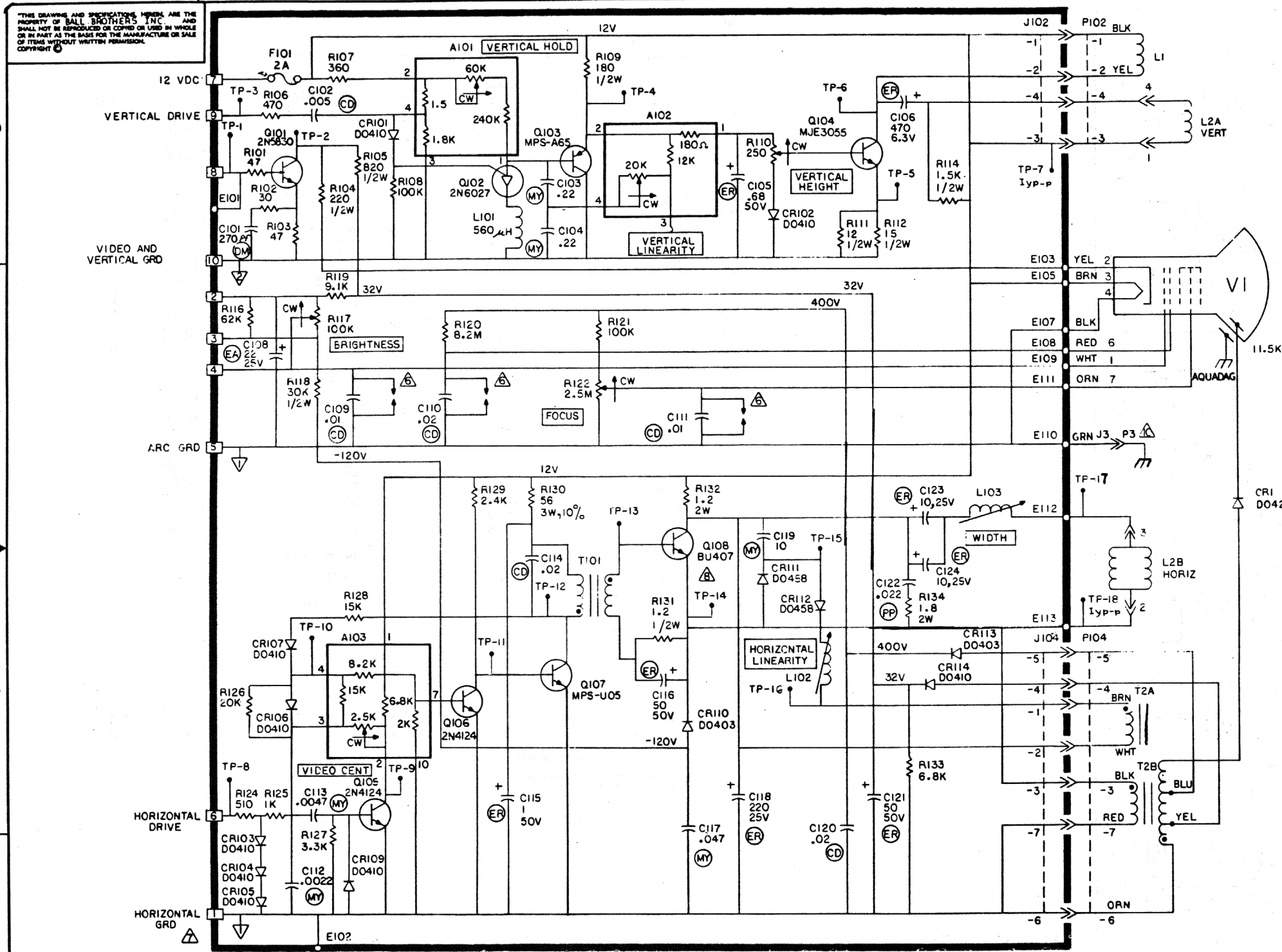
COPIED BY WRITTEN PERMISSION OF BALL BROTHERS INC.

SIGNATURES		DATE	TITLE	REV
DRN.	<i>[Signature]</i>	2-8-72		
CHK'D.	<i>[Signature]</i>	10-2-72		
ENG.	<i>[Signature]</i>	12-2-72	TVX120/DEC 12 VOLT	
PROJ. ENG.	<i>[Signature]</i>	12-2-72		
SCALE			SIZE CODE	NUMBER
SHT. 1 OF 2			D	CS. 3014590-0-1
NEXT HIGHER ASSY.				

digital

MS#180297

THIS DRAWING AND SPECIFICATIONS HEREIN ARE THE PROPERTY OF BALL BROTHERS INC. AND SHALL NOT BE REPRODUCED OR COPIED OR USED IN WHOLE OR IN PART AS THE BASIS FOR THE MANUFACTURE OR SALE OF ITEMS WITHOUT WRITTEN PERMISSION. COPYRIGHT ©



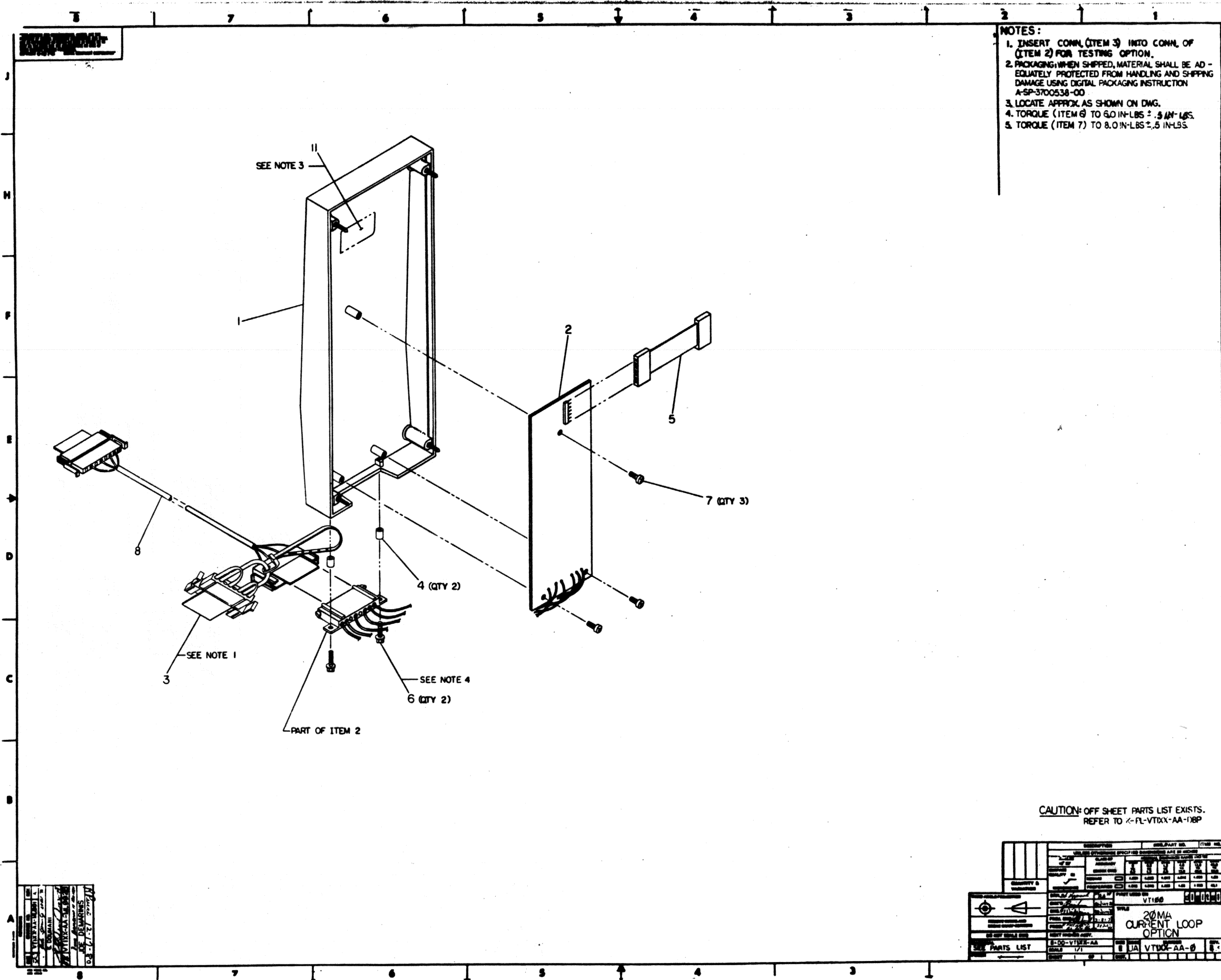
- GENERAL NOTES: UNLESS OTHERWISE SPECIFIED
1. ALL RESISTORS 1/4W, 5%, VALUE IN OHMS.
 2. ALL CAPACITOR VALUES IN MICROFARADS. FOR CAPACITOR TYPES, SEE NOTE NO. 9.
 3. □ DENOTES J101 PC CARD EDGE CONNECTOR.
 4. ⇨ DENOTES CONNECTION TO OFF BOARD COMPONENTS.
 5. REFERENCE DESIGNATIONS NOT USED: J103, C107, C108, R101, R113, R115, R123
- LAST REFERENCE DESIGNATION USED: R134, C124
- ⚠ THE PWB CIRCUIT GROUNDS ARE BROUGHT OUT SEPARATELY TO PINS 1, 5 AND 10 OF J101. PWB CIRCUIT GROUNDS FOR PINS 1 AND 5 OF J101 ARE CONNECTED TOGETHER BY A JUMPER WIRE ON THE BOARD AND ARE CONNECTED TO CHASSIS GROUND VIA A WIRE FROM E110.
- ⚠ DENOTES HEATSINK
9. Ⓞ = DIPPED MICA
 Ⓞ = CERAMIC DISC
 Ⓞ = MYLAR
 Ⓞ = ELECTROLYTIC AXIAL
 Ⓞ = ELECTROLYTIC RADIAL
 Ⓞ = POLYPROPYLENE
 ⚠ GROUNDED TO AQUADAG BY SPRING

COPIED BY WRITTEN PERMISSION OF BALL BROS.

DRN. <i>Wm. D. Angel</i> 7/20/78	FIRST USED ON
CHK'D. <i>A. B. Brown</i> 12-6-78	VT100
ENG. <i>H. Brown</i> 12-6-78	TITLE
PROJ. ENG. <i>H. Brown</i> 12-6-78	SCHMATIC
PROD.	TVX 120/DEC
NEXT HIGHER ASSY.	12 VOLT
E-UA-VT100-0-0	SIZE CODE
SCALE NONE	NUMBER
SHEET 2 OF 2	DIST.

REVISIONS
 CHANGE NO.
 REV.

CS3014590-0-1 A



- NOTES:**
1. INSERT CONN. (ITEM 3) INTO CONN. OF (ITEM 2) FOR TESTING OPTION.
 2. PACKAGING: WHEN SHIPPED, MATERIAL SHALL BE ADEQUATELY PROTECTED FROM HANDLING AND SHIPPING DAMAGE USING DIGITAL PACKAGING INSTRUCTION A-SP-3700538-00
 3. LOCATE APPROX. AS SHOWN ON DMG.
 4. TORQUE (ITEM 6) TO 6.0 IN-LBS ± .5 IN-LBS.
 5. TORQUE (ITEM 7) TO 8.0 IN-LBS ± .5 IN-LBS.

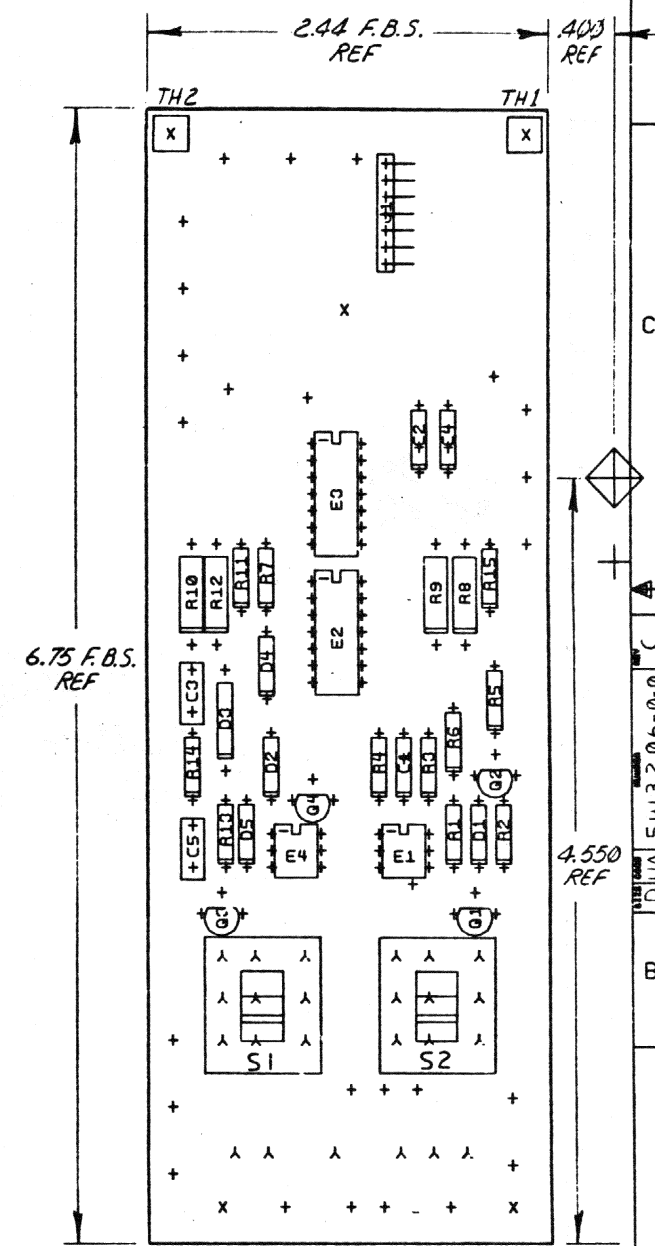
CAUTION: OFF SHEET PARTS LIST EXISTS. REFER TO K-FL-VTDX-AA-18P

REV	DATE	BY	CHKD	DESCRIPTION
1	12-1-71	J. DEMARINS		
2	1-11-72	J. DEMARINS		

PART NAME		PART NO.		REV.	
20MA CURRENT LOOP OPTION		VT150		000000	
SEE PARTS LIST		K-00-VTDX-AA		1/1	
		JA		VTDX-AA-0	

THIS DRAWING AND SPECIFICATIONS, HEREIN, ARE THE PROPERTY OF DIGITAL EQUIPMENT CORPORATION AND SHALL NOT BE REPRODUCED OR COPIED OR USED IN WHOLE OR IN PART FOR THE DESIGN FOR THE MANUFACTURE OR SALE OF ITEMS WITHOUT WRITTEN PERMISSION.
 COPYRIGHT © 1980 DIGITAL EQUIPMENT CORPORATION

COMPONENT SIDE VIEW



NOTES:

STEP #	↑ Y AXIS	STEP #	TIMES
REPEAT	→ X AXIS	2.750 / 2.5 / 2.750	

CHK CHANGE NO	REV	DATE
5-43206-PM000	C	
REVISED & REDRAWN		
J. DEMARINIS		10-16-80

ETCH REV. D

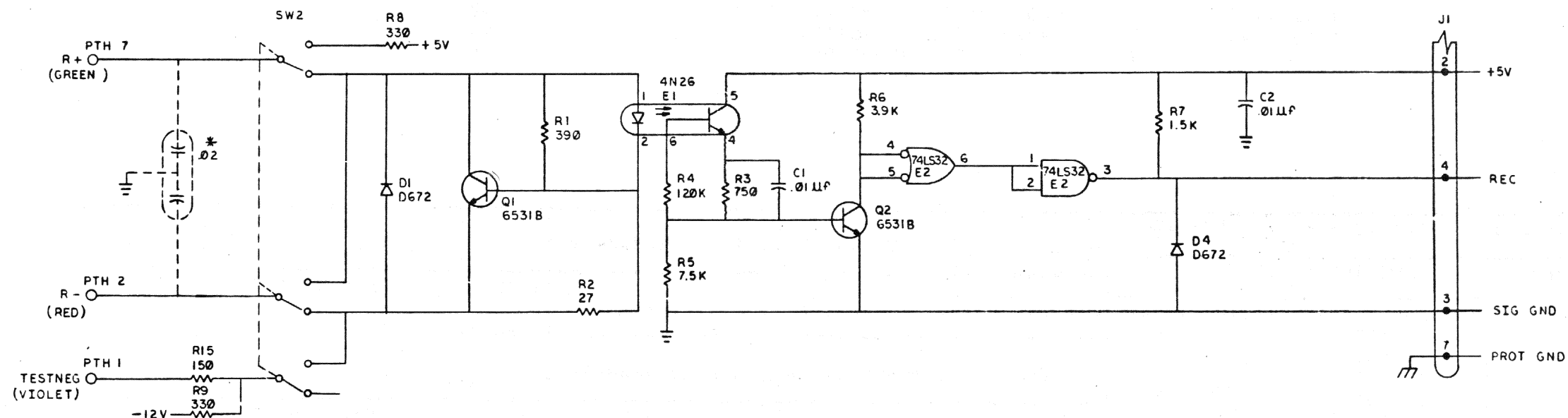
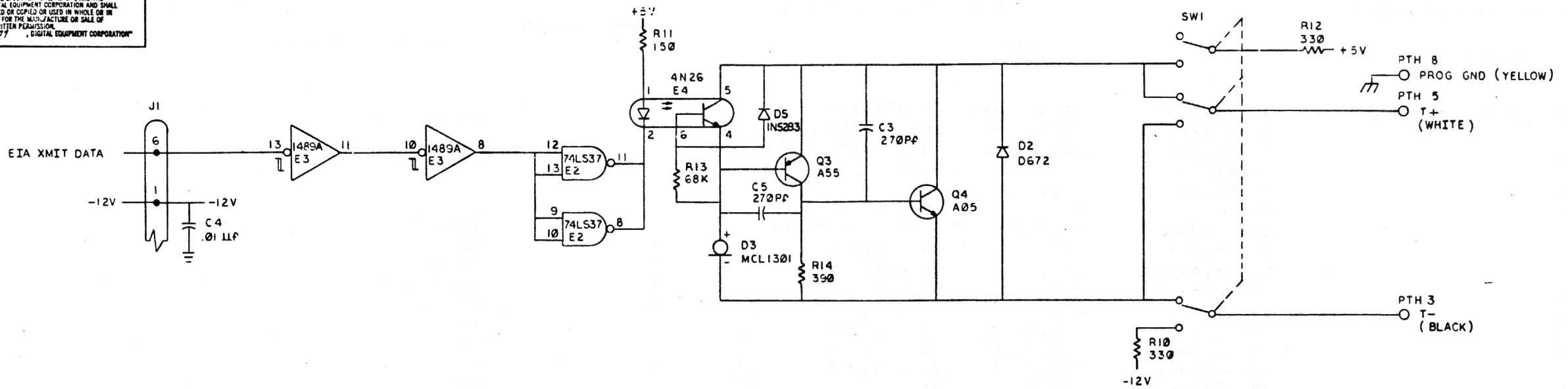
SIGNATURES		DATE	digital
ORN. V. PAREKHANIAN		11-77	
CHK. D. M. MORTENSEN		11-77	TITLE 20 MA ADAPTER
MECH. ENG. M. MORTENSEN		4-78	
PROJ. ENG. N. FORRESTER		5-78	
PROD. R. PUCCI		6-78	SIZE CODE D UA
SCALE 2	OF 1		
NEXT HIGHER ASSY. B-00-5413206-0			NUMBER 5413206-0-0

WO#150226

LINE	ITEM	DOCUMENT NUMBER	PART NUMBER	DESCRIPTION	QTY	PER VARIATION	REFERENCE DESIGNATOR
1	1	D-10-5013205-0-0	5013205-00	ETCH BOARD FOR 5413206	1		
2	2		1000022-00	270.0 MMF 100V 5%200PPM MICA	2		C3,C5
3	3		1001610-00	.01 MFD 50V +20-20% 25U CER	3		C1,C2,C4
4	4		1105275-00	D 672 TR= 15NS PIV= 60V SI	3		D1,D2,D4
5	5		1105610-00	MCL1301 CL@1MA FROM 10-80V	1		D3
6	6		1215048-01	CONN 7POS RT ANGLE	1		J1
7	7		1215089-00	SW,SLIDE 3P 1A DBLE THROW	2		S1,S2
8	8		1301522-00	27.0 .25 W 5.0 % CC	1		R2
9	9		1300250-00	150.0 .25 W 5.0 % CC	2		R11,R15
10	10		1300296-00	330.0 .50 W 5.0 % CC	4		R8,R9,R10,R12
11	11		1300309-00	390.0 .25 W 5.0 % CC	2		R1,R14
12	12		1300391-00	1.50 K .25 W 5.0 % CC	1		R7
13	13		1300444-00	3.90 K .25 W 5.0 % CC	1		R6
14	14		1300539-00	120.0 K .25 W 5.0 % CC	1		R4
15	15		1301327-00	68.0 K .25 W 5.0 % CC	1		R13
16	16		1301401-00	750.0 .25 W 5.0 % CC	1		R3
17	17		1301422-00	7.50 K .25 W 5.0 % CC	1		R5
18	18		1509338-00	DEC6531B NPN 310MW SI 40 90 P	2		Q1,Q2
19	19		1510705-00	XA 05 NPN 500MW SI 60 50 P	1		Q4
20	20		1510706-00	XA 55 PNP 500MW SI 60 50 P	1		Q3
21	21		1916959-00	POTOTRANSISTOR	2		E1,E4
22	22		1912817-00	LS37 NAND GATE-QUAD 2IN,P	1		E2
23	23		1913130-00	DEC 1489A RECEIVER,LINE,QUAD,	1		E3
24	24		1113003-00	IN 5282 PIV=55 I=500M D035	1		D5

REVISION HISTORY		BASIC PART NO: 5413206		DRN:	T. SHETRAWSKI	DATE:	30-MAR-78	DIGITAL			
ENG:	ECO NUMBER	REV	SECTION A OF A	CHK'D:	T. SHETRAWSKI	DATE:	30-MAR-78	TITLE PARTS LIST			
---	INIT	B	SECTION VARIATION INDEX	DES.ENG:	M. MORGENSTERN	DATE:	30-MAR-78	DOCUMENT NUMBER			
JB	5413206-PN001	C	(A) 00	RESP.ENG.:	M. MORGENSTERN	DATE:	30-MAR-78	SIZE:	CODE:	NUMBER	REV
			(B)	MFG.ENG.:	T. CORCIARI	DATE:	30-MAR-78	K	PL	5413206-0-DBP	C
			(C)	ASSEMBLY NUMBER:		TOP DOCUMENT NUMBER:		FILE NAME:		EDIT #	
			(D)	D-UA-5413206-0-0		IV100		13206C.PLS		6	
			(E)	"THIS DRAWING AND SPECIFICATIONS HEREIN, ARE THE PROPERTY OF DIGITAL EQUIPMENT CORPORATION AND SHALL NOT BE REPRODUCED OR COPIED OR USED IN WHOLE OR IN PART AS THE BASIS FOR THE MANUFACTURE OR SALE OF ITEMS WITHOUT WRITTEN PERMISSION. COPYRIGHT (C) 1980, DIGITAL EQUIPMENT CORPORATION"							

THIS DRAWING AND SPECIFICATIONS HEREIN ARE THE PROPERTY OF DIGITAL EQUIPMENT CORPORATION AND SHALL NOT BE REPRODUCED OR COPIED OR USED IN WHOLE OR IN PART AS THE BASIS FOR THE MANUFACTURE OR SALE OF ITEMS WITHOUT WRITTEN PERMISSION. COPYRIGHT © 1977, DIGITAL EQUIPMENT CORPORATION



NOTE:
1. * OPTIONAL

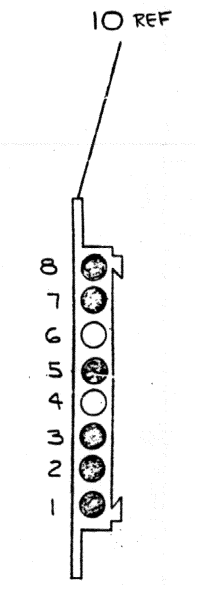
REV.	REV.
CHANGE NO.	REV.
5413206-0-1	C
DATE	DATE
9-16-77	
DESIGNED BY	DESIGNED BY
J. DEMARINIS	
CHECKED BY	CHECKED BY

DRN	DATE	FIRST USED ON	DIGITAL
CHK'D	DATE	VT100	
ENG.	DATE	TITLE	
PROJ. ENG.	DATE	20 MA	
PROD.	DATE	ADAPTOR	
NEXT HIGHER ASSY.			
D-UA-5413206-0-0	SIZE CODE	NUMBER	REV.
SCALE	D	CS 5413206-0-1	C
SHEET	OF	DIST.	

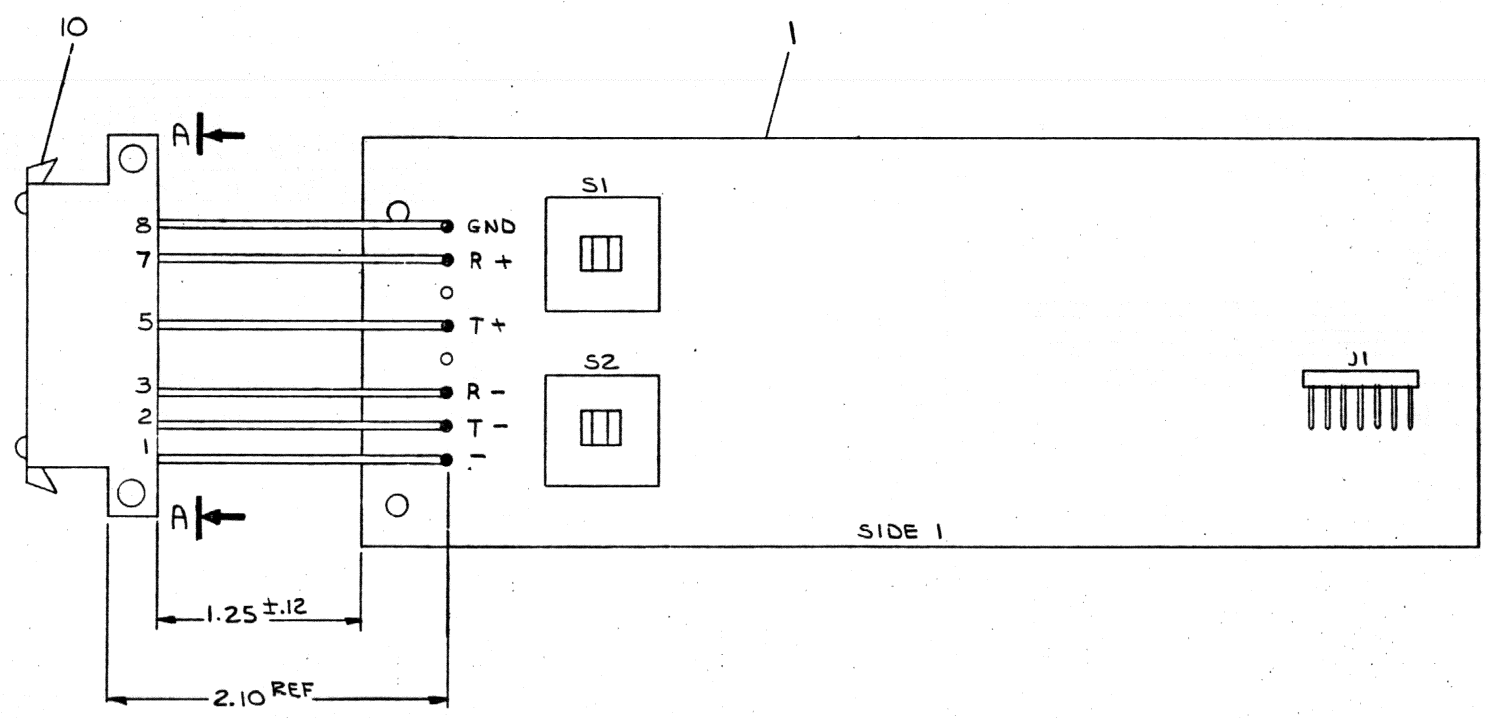
THIS DRAWING AND SPECIFICATIONS, HEREIN, ARE THE PROPERTY OF DIGITAL EQUIPMENT CORPORATION AND SHALL NOT BE REPRODUCED OR COPIED OR USED IN WHOLE OR IN PART AS THE BASIS FOR THE MANUFACTURE OR SALE OF ITEMS WITHOUT WRITTEN PERMISSION. COPYRIGHT © 1977, DIGITAL EQUIPMENT CORPORATION

WIRE TABLE							
ITEM NO.	AWG	COLOR	FROM		TO		REMARKS
			CONN	WITH	CONN	WITH	
10	22	YELLOW	PIN 8		ITEM 1 GND		
		GREEN	7		R+		
		WHITE	5		T+		
		RED	3		R-		
		BLACK	2		T-		
10	22	VIOLET	PIN 1		ITEM 1 -		

NOTES:
 1. FOR INDIVIDUAL FIELD SERVICE / CUSTOMER SPARES SHIPMENTS USE PACKAGING INSTRUCTIONS A-SP-3700550-0-0. FOR BULK INTERPLANT SHIPMENTS USE PACKAGING INSTRUCTIONS A-SP-3700429-0-0, VARIATION-03



VIEW A-A (REAR VIEW)



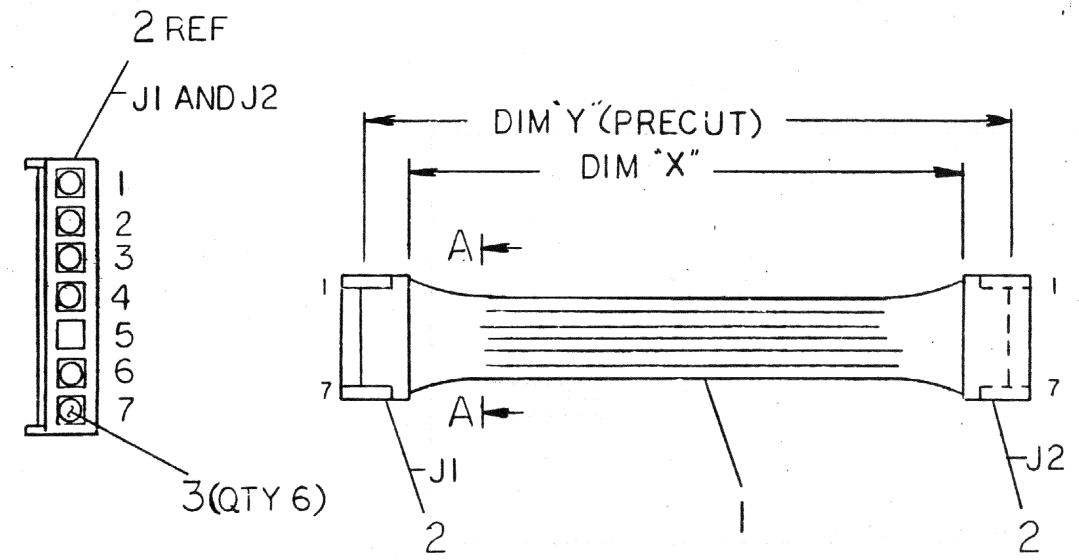
CAUTION: OFF SHEET PARTS LIST EXISTS, SEE K-PL-7015273-0-DBP.

REV.	CHANGE NO.	DATE	BY	CHK
1	17015273-ML001 A	18 JUN 78	J. DEMARINIS	J. DEMARINIS
2	17015273-ML002 B	25 AUG 80	J. DEMARINIS	J. DEMARINIS

QUANTITY & VARIATION	DESCRIPTION	DWG./PART NO.	ITEM NO.
	UNLESS OTHERWISE SPECIFIED DIMENSIONS ARE IN INCHES		
THIRD ANGLE PROJECTION	ANGLES	CLASS OF ACCURACY	NOMINAL DIMENSION RANGE INCHES
	SURFACE QUALITY	CHECK ONE	OVER 0 TO 0.3
REMOVE BURRS AND BREAK SHARP CORNERS	MICROINCHES	PREFERRED	0.004 0.008 0.012 0.016 0.024 0.04
	DO NOT SCALE DWG		0.012 0.016 0.024 0.04 0.063 0.1
MATERIAL	DRN. 25/10	FIRST USED ON	VT100 digital
SEE PARTS LIST	CHK'D. [Signature]	ENG. [Signature]	TITLE
FINISH	PROJ. ENG. [Signature]	PROD. [Signature]	20 MA ADAPTER ASSY
	SCALE 2/1	SIZE CODE	NUMBER
	SHEET 1 OF 1	DIST.	17015273-0-0 B

"THIS DRAWING AND SPECIFICATIONS, HEREIN, ARE THE PROPERTY OF DIGITAL EQUIPMENT CORPORATION AND SHALL NOT BE REPRODUCED OR COPIED OR USED IN WHOLE OR IN PART AS THE BASIS FOR THE MANUFACTURE OR SALE OF ITEMS WITHOUT WRITTEN PERMISSION. COPYRIGHT © 1978, DIGITAL EQUIPMENT CORPORATION"

WIRE TABLE						
ITEM NUMBER	DESCRIPTION		FROM		TO	
	AWG	COLOR	CONNECTION	WITH	CONNECTION	WITH
1	24	BLK	J1-1	3	J2-1	3
			J1-2		J2-2	
			J1-3		J2-3	
			J1-4		J2-4	
			J1-6		J2-6	
	24	BLK	J1-7	3	J2-7	3



VIEW A-A
REAR VIEW
2 PLACES

LEGEND		
NUMBER	DIM "X" VARIATION	DIM "Y" (PRECUT) REF
7015506-0B	2.0 IN ±.25 IN.	2.75 IN.

12	CONTACT, PIN	1214979-00	3
2	HOUSING, 7 CONN	1215047-01	2
A/R	WIRE, 24AWG, STRD (BLK)	9107450-00	1

REV.	CHG	NO.	DATE	BY	REASON
A		1			

REVISIONS
C. JAMES
Richard A. Pucci 11-17-79

DESCRIPTION		DWG./PART NO.	ITEM NO.
UNLESS OTHERWISE SPECIFIED DIMENSIONS ARE IN INCHES			
ANGLES ±0° 30'	CLASS OF ACCURACY (CHECK ONE)	NOMINAL DIMENSION RANGE INCHES	
SURFACE QUALITY IN MICROINCHES	MEDIUM <input type="checkbox"/>	OVER 0 TO 0.2	OVER 0.2 TO 0.4
	PREFERRED <input type="checkbox"/>	OVER 0.4 TO 1.2	OVER 1.2 TO 4.0
		OVER 4.0 TO 12.0	OVER 12.0 TO 40.0
		OVER 40.0 TO 80.0	OVER 80.0 TO 160.0
		±.004 ±.008 ±.012 ±.016 ±.024 ±.04	±.01 ±.02 ±.03 ±.04 ±.05 ±.06
		±.012 ±.016 ±.025 ±.04 ±.062 ±.1	
THIRD ANGLE PROJECTION	DRN. <i>6/24/78</i>	FIRST USED ON	digital
REMOVE BURRS AND BREAK SHARP CORNERS	CHK'D <i>R. Blum</i>	VT100	
DO NOT SCALE DWG	ENG. <i>M. Brown</i>	TITLE	CABLE, INTERNAL 20 MA ADAPTOR
MATERIAL SEC PARTS LIST	PROJ. ENG. <i>M. Brown</i>		
FINISH	PROD. <i>M. Brown</i>		
	NEXT HIGHER ASSY.		
	E-UA-VTXX-AA	SIZE CODE	NUMBER
	SCALE NONE	C IA	7015506-0-0
	SHEET 1 OF 1	DIST.	REV. A

This drawing and specifications, herein, are the property of Digital Equipment Corporation and shall not be reproduced or copied or used in whole or in part as the basis for the manufacture or sale of items without written permission.

LEGEND

NUMBER	DIM "X" VARIATION	DIM "Y" (PRECUT) REF
BC05F-15	15 FT. ± 3 IN.	15 FT. .75 IN. ± 3 IN.
BC05F-9	9 FT. ± 2 IN.	9 FT. .75 IN. ± 2 IN.
BC05F-04	4 FT. ± 1 IN.	4 FT. .75 IN. ± 1 IN.
BC05F-25	25 FT. ± 3 IN.	25 FT. .75 IN. ± 3 IN.
BC05F-30	30 FT. ± 2%	30 FT. .75 IN. ± 2%
BC05F-45	45 FT. ± 2%	45 FT. .75 IN. ± 2%
BC05F-50	50 FT. ± 2%	50 FT. .75 IN. ± 2%
BC05F-90	90 FT. ± 2%	90 FT. .75 IN. ± 2%
BC05F-B0	200 FT. ± 2%	200 FT. .75 IN. ± 2%
BC05F-C0	300 FT. ± 2%	300 FT. .75 IN. ± 2%
BC05F-E0	500 FT. ± 2%	500 FT. .75 IN. ± 2%

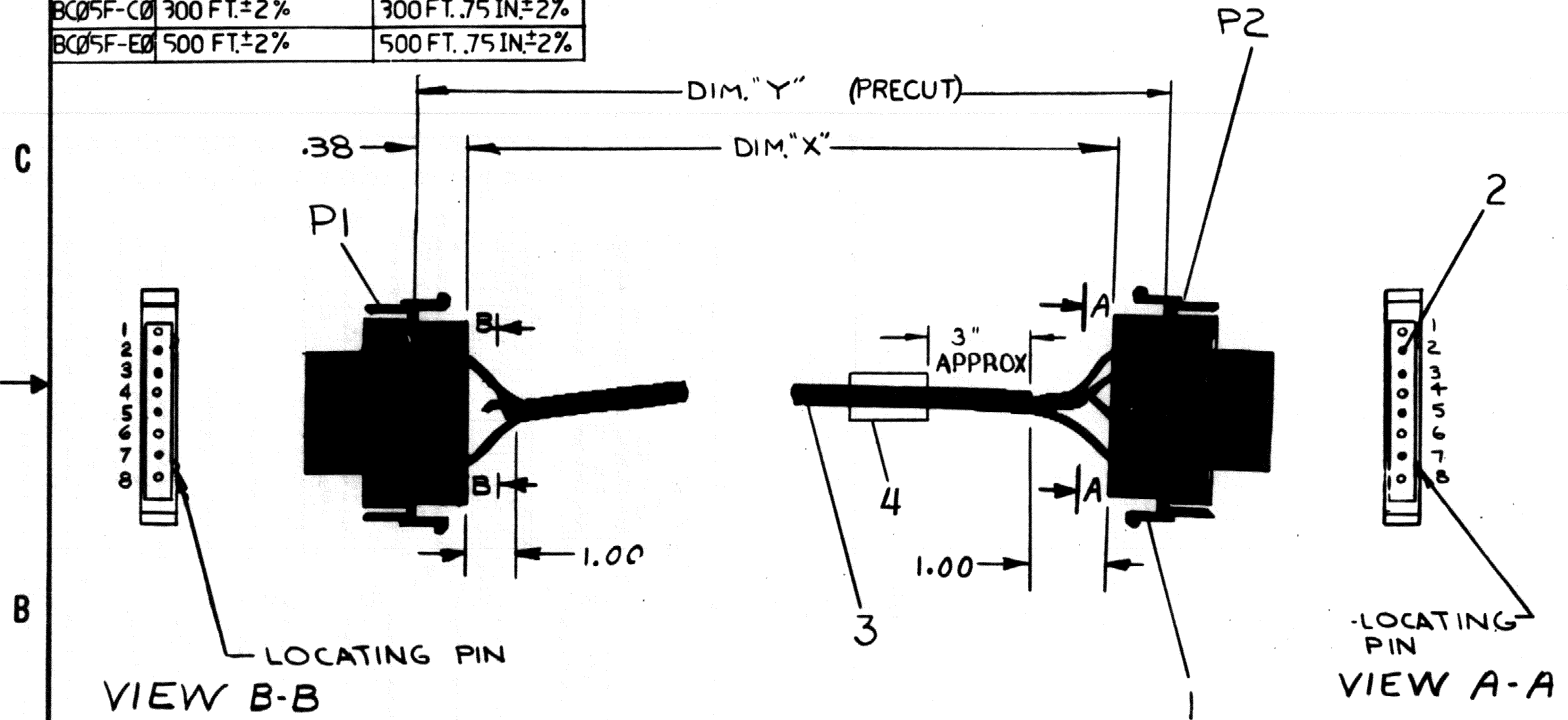
WIRE TABLE

ITEM NO	DESCRIPTION	FROM CONNECTION	TO CONNECTION
3	22 BLK	P1-2	P2-3
3	22 RED	P1-3	P2-2
3	22 WHT	P1-5	P2-7
3	22 GRN	P1-7	P2-5

NOTES:
1. ASSEMBLE CABLE I.D. LABEL TO AREA AS SHOWN BELOW.

LEGEND CONT.

NUMBER	DIM "X"	DIM "Y" REF
BC05F-E5	550 FT. ± 2%	550 FT. .75 IN. ± 2%
BC05F-L0	1000 FT. ± 2%	1000 FT. .75 IN. ± 2%



CAUTION: FOR OFF SHEET PARTS LIST SEE K-PL-9C05F-0-0.

REVISIONS

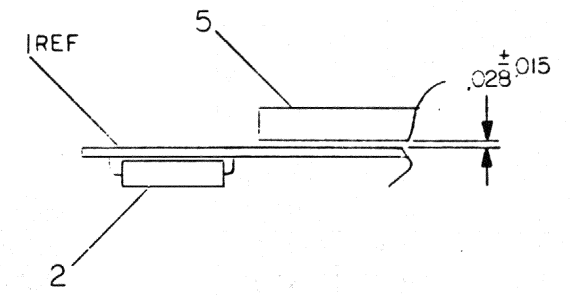
CHK	CHANGE NO.	REV.
	BC05F-00001	A
	LA36-00119	B
	BC05F-00002	C
	BC05F-00003	D
	BC05F-M1003	D
	BC05F-00004	E

FIRST USED ON OPTION MODEL DF11	QTY.	DESCRIPTION	PART NO.	ITEM NO.
PARTS LIST				
UNLESS OTHERWISE SPECIFIED DIMENSION IN INCHES TOLERANCES DECIMALS ± .005 FRACTIONS ± 1/64 ANGLES ± 0°30'		DRN <i>A. J. London</i>	DATE 10/18/71	digital EQUIPMENT CORPORATION MAYNARD, MASSACHUSETTS TITLE CABLE INTERFACE BC05F
MATERIAL		CHK'D. <i>R. Milan</i>	DATE 10/19/71	
FINISH		ENG. <i>Robert Fitch</i>	DATE 10-19-71	
		PROJ. ENG. <i>Robert Fitch</i>	DATE 10-19-71	
		PROB. <i>Paul Hayes</i>	DATE 10-26-71	SIZE CODE CUA BC05F 0-0
		NEXT HIGHER/ASSY	SCALE	REV. E
		SHEET 1 OF 1	DIST. G	

PART CODE CUA BC05F-0-0
 NUMBER 0000000000
 REV. E

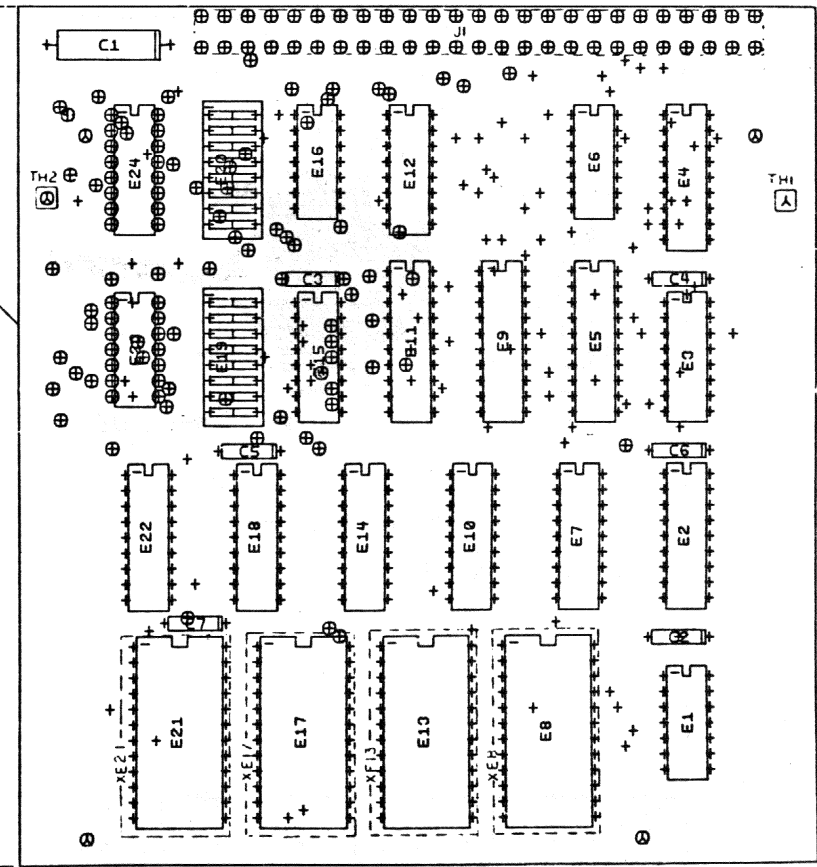
THIS DRAWING AND SPECIFICATIONS, HEREIN, AND THE PROPERTY OF DIGITAL EQUIPMENT CORPORATION AND SHALL NOT BE REPRODUCED OR COPIED OR USED IN WHOLE OR IN PART AS THE BASIS FOR THE MANUFACTURE OR SALE OF ITEMS WITHOUT WRITTEN PERMISSION. COPYRIGHT © DIGITAL EQUIPMENT CORPORATION

COMPONENT SIDE VIEW



5.187 REF.
131.75 MM.

5.60 REF.
142.24 MM.



NOTES: J1 CONN MOUNTED ON SIDE 2

STEP E → Y AXIS — STEP — TIMES 2ML 2
 REPEAT → X AXIS 2.250 STEP 1 TIMES

CHANGE NO. REV	
DESCRIPTION	
DATE	
BY	
CHK'D	
DATE	
BY	

ETCH REV. C-P 3

SIGNATURES		DATE	digital
DRN.			
CHK'D.			TITLE VT100
MECH. ENG.			ADVANCED VIDEO
PROJ. ENG.			SIZE CODE
PROD.			NUMBER
SCALE 2/1			0 UA5413097-0-0
SHT. 1 OF 1			REV F
NEXT HIGHER ASSY. 8-DD-5413097-0			1 WO# 104159

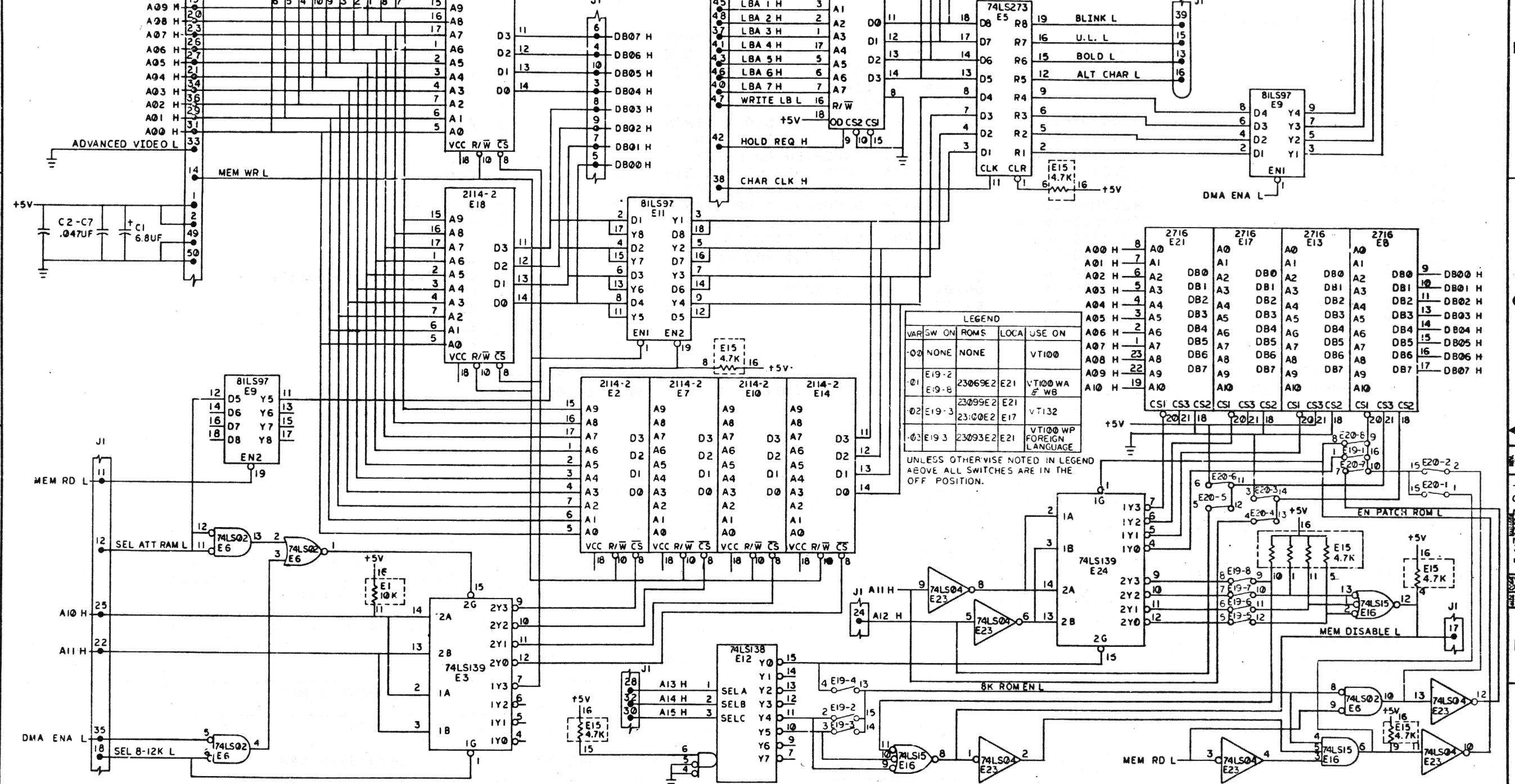
LINE	ITEM	DOCUMENT NUMBER	PART NUMBER	DESCRIPTION	QTY PER VARIATION				REFERENCE DESIGNATOR
					00	01	02	03	
1	1	D-MD-5013096-0-0	5013096-00	DRILL & ETCH DRAWING	1	1	1	1	
2	2		1005306-00	6.8MFD 35V 10% S.TANT	1	1	1	1	C1
3	3		1012784-00	.047 MFD 50V +80-20% CER	6	6	6	7	C2-C7
4	4		1215006-06	SOCKET 24PIN IC LOW PROFILE	4	4	4	4	XE8,XE13,XE17,XE21
5	5		1214060-01	HEADER.150 50POS	1	1	1	1	J1
6	6		1300005-03	R NETWORK 13-10K 5.0 % 14PIN	1	1	1	1	E1
7	7		1300005-07	R NETWORK 15-4.7K 5.0 % 16PIN	1	1	1	1	E15
8	8		1912801-00	LS02 NOR-GATE-QUAD 2IN	1	1	1	1	E6
9	9		1912803-00	74LS04 INVERTER GATE,HEX	1	1	1	1	E23
10	10		1912809-00	LS15 NAND GATE-TRIPLE 3IN	1	1	1	1	E16
11	11		1912842-00	LS138 DECODER-THREE INPUT,	1	1	1	1	E12
12	12		1912843-00	LS139 DECODER, 2 OF 4(DUAL	2	2	2	2	F3,E24
13	13		1912863-00	LS273 FF-D OCTAL W/CLEAR	1	1	1	1	E5
14	14		1914213-00	81LS97 BUFFER GATE-OCTAL 2I	2	2	2	2	E9,E11
15	15		2113106-01	1K MOS RAM 250NS	1	1	1	1	E4
16	16		2114212-00	P 2114-2 RAM,1024X4,STATIC	6	6	6	6	E2,E7,E10,E14,E18,E22
17	18		1211164-04	SW,DIP 1P 1A 8POS	2	2	2	2	E19,E20
18	19		23069E2-00	E2-02,E2-04 RO	-	1	-	-	E21
19	20		23099E2-00	E2-02	-	-	1	-	E21
20	21		23100E2-00	E2-02	-	-	1	-	E17
21	22		23093E2-00	E2-02,E2-04	-	-	-	1	E21
22	23	A-SP-3700554-0-0	3700554-00	PKG MODULE 5413097	REF	REF	REF	REF	
23	24	A-SP-3700438-0-0	3700438-05	PKG. BULK CARTON 9906476-29	REF	REF	REF	REF	

24 NOTE: FOR INDIVIDUAL FIELD SERVICE/CUSTOMER SPARES SHIPMENT USE PACKAGING INSTRUCTION A-SP-3700554-0-0.
 25 NOTE: FOR BULK INTERPLANT SHIPMENT USE PACKAGING INSTRUCTIONS A-SP-3700438-00.

REVISION HISTORY		BASIC PART NO: 5413097		DRN:	T. SHETRAWSKI	DATE:	10-MAR-78	D I G I T A L			
ENG	ECO NUMBER	REV	SECTION A OF A	CHK'D:	T. SHETRAWSKI	DATE:	10-MAR-78	TITLE PARTS LIST			
---	INIT	A	SECTION.VARIATION INDEX	DES.ENG:	D. PUCCI	DATE:	10-MAR-78	VT100 ADV VIEDO			
---	5413097-ML002	C	[A] 00,01,02,03	RESP.ENG.:	D. PUCCI	DATE:	10-MAR-78	DOCUMENT NUMBER			
CJ	5413097-ML003	D	[B]	MFG.ENG.:	T. CORCIARI	DATE:	10-MAR-78	SIZE	CODE	NUMBER	REV
CJ	5413097-ML004	E	[C]	ASSEMBLY NUMBER:		TOP DOCUMENT NUMBER:		K	PL	5413097-0-DBP	H
DP	5413097-ML005	F	[D]			FILE NAME:					EDIT #
RB	5413097-ML006	H	[E]			! B-DD-5413097-0-0				! Z1081H.PLS	9
			[F]								
			[G]								
			[H]								
			[I]								
			[J]								
			[K]								
			[L]								
			[M]								
			[N]								

"THIS DRAWING AND SPECIFICATIONS HEREIN, ARE THE PROPERTY OF DIGITAL EQUIPMENT CORPORATION AND SHALL NOT BE REPRODUCED OR COPIED OR USED IN WHOLE OR IN PART AS THE BASIS FOR THE MANUFACTURE OR SALE OF ITEMS WITHOUT WRITTEN PERMISSION. COPYRIGHT (C) 1981. DIGITAL EQUIPMENT CORPORATION "

THIS DRAWING AND SPECIFICATIONS, HEREIN, ARE THE PROPERTY OF DIGITAL EQUIPMENT CORPORATION AND SHALL NOT BE REPRODUCED OR COPIED OR USED IN WHOLE OR IN PART AS THE BASIS FOR THE MANUFACTURE OR SALE OF ITEMS WITHOUT WRITTEN PERMISSION.
 COPYRIGHT © 1978 DIGITAL EQUIPMENT CORPORATION



REVISIONS

REV.	CHANGE NO.	DATE	BY	DESCRIPTION
1	1511097-ML001	8	R. PUCCI	INITIAL DESIGN
2	1511097-ML002	10/27/78	R. PUCCI	REVISED FOR MANUFACTURE
3	1511097-ML003	11/15/78	R. PUCCI	REVISED FOR MANUFACTURE
4	1511097-ML004	12/15/78	R. PUCCI	REVISED FOR MANUFACTURE
5	1511097-ML005	1/10/79	R. PUCCI	REVISED FOR MANUFACTURE
6	1511097-ML006	2/1/79	R. PUCCI	REVISED FOR MANUFACTURE
7	1511097-ML007	2/1/79	R. PUCCI	REVISED FOR MANUFACTURE
8	1511097-ML008	2/1/79	R. PUCCI	REVISED FOR MANUFACTURE
9	1511097-ML009	2/1/79	R. PUCCI	REVISED FOR MANUFACTURE
10	1511097-ML010	2/1/79	R. PUCCI	REVISED FOR MANUFACTURE
11	1511097-ML011	2/1/79	R. PUCCI	REVISED FOR MANUFACTURE
12	1511097-ML012	2/1/79	R. PUCCI	REVISED FOR MANUFACTURE
13	1511097-ML013	2/1/79	R. PUCCI	REVISED FOR MANUFACTURE
14	1511097-ML014	2/1/79	R. PUCCI	REVISED FOR MANUFACTURE
15	1511097-ML015	2/1/79	R. PUCCI	REVISED FOR MANUFACTURE
16	1511097-ML016	2/1/79	R. PUCCI	REVISED FOR MANUFACTURE
17	1511097-ML017	2/1/79	R. PUCCI	REVISED FOR MANUFACTURE
18	1511097-ML018	2/1/79	R. PUCCI	REVISED FOR MANUFACTURE
19	1511097-ML019	2/1/79	R. PUCCI	REVISED FOR MANUFACTURE
20	1511097-ML020	2/1/79	R. PUCCI	REVISED FOR MANUFACTURE

DRN. <i>Robley</i>	2/1/78	FIRST USED ON	VT100
CHK. <i>John</i>	2/1/78	TITLE	VT100
ENG. <i>H. P. ...</i>		TITLE	ADVANCED VIDEO
PROL. <i>H. P. ...</i>		NUMBER	5413097-0-1
NEXT HIGHER ASSY.		REV.	F
B-00-5413097-0	SIZE	CODE	
SCALE	D	CS	
SHEET 1 OF 1	DIST.		

DIGITAL EQUIPMENT CORPORATION PARTS LIST

MADE BY DATE	D. HEALY 14-JUN-78	CHECKED DATE	D. HEALY 14-JUN-78	SECTION A1
ENG DATE	E. WEDEKING 10-JUL-78	PROD DATE	K. HOFFMAN 10-JUL-78	ISSUED SECTION A2

QUANTITY / VARIATION

NOTES:

ITEM NO.	DRAWING NO.	PART NO.	DESCRIPTION	QUANTITY / VARIATION												REF DESIGNATION	
				VT100-AA	VT100-AB	VT100-NA	VT100-NB	VT100-WA	VT100-WB	VT100-WC	VT100-WD	VT100-WE	VT100-WF	VT100-WG	VT100-WH		
1	EK-VT100-UG-001	EK-VT100-UG	GUIDE, USERS VT100	1	1	1	1	1	1	1	1	1	1	1	1	1	
2		3615741	LABEL, SET-UP, VT100	1	1	1	1	1	1	-	-	-	-	-	-	-	
3		VT100-AA	TERM., VIDEO, W/115V PLUG	1	-	-	-	-	-	-	-	-	-	-	-	-	
4		VT100-AB	TERM., VIDEO, W/230V PLUG	-	1	-	-	-	-	-	-	-	-	-	-	-	
5		VT100-NA	TERM., VIDEO, DECFORM, W/115V PLUG	-	-	1	-	-	-	-	-	-	-	-	-	-	
6		VT100-NB	TERM., VIDEO, DECFORM, W/230V PLUG	-	-	-	1	-	-	-	-	-	-	-	-	-	
7		VT100-WA	TERM., VIDEO, WORD PROCESSING, W/115V PLUG.	-	-	-	-	1	-	-	-	-	-	-	-	-	
8		VT100-WB	TERM., VIDEO, WORD PROCESSING, W/230V PLUG.	-	-	-	-	-	1	-	-	-	-	-	-	-	
9	A-SP-VT100-W-0		INSTALLATION NOTES, WORD PROCESSING TERMINAL.	-	-	-	-	1	1	1	1	1	1	1	1	1	
10		VT100-WC	TERM, VIDEO, FR. CANADIAN WP W/115V PLUG	-	-	-	-	-	-	1	-	-	-	-	-	-	
11		VT100-WD	TERM, VIDEO, FR. CANADIAN WP W/230V PLUG	-	-	-	-	-	-	-	1	-	-	-	-	-	
12		VT100-WE	TERM, VIDEO, FRENCH WP W/115V PLUG	-	-	-	-	-	-	-	-	1	-	-	-	-	
13		VT100-WF	TERM, VIDEO, FRENCH WP W/230V PLUG	-	-	-	-	-	-	-	-	-	-	1	-	-	
14		VT100-WG	TERM, VIDEO, DUTCH, WP W/115V PLUG	-	-	-	-	-	-	-	-	-	-	-	1	-	
15		VT100-WH	TERM, VIDEO, DTUCH, WP W/230V PLUG	-	-	-	-	-	-	-	-	-	-	-	-	1	
16		VT100-WJ	TERM, VIDEO, GERMAN WP W/115V PLUG	-	-	-	-	-	-	-	-	-	-	-	-	-	
17		VT100-WK	TERM, VIDEO, GERMAN WP W/230V PLUG	-	-	-	-	-	-	-	-	-	-	-	-	-	
18		VT100-WY	TERM, VIDEO, WP W/115V PLUG	-	-	-	-	-	-	-	-	-	-	-	-	-	

E.C.O. NO.
ML032
ML037
VT100-
ML042

"THIS DRAWING AND SPECIFICATIONS, HEREIN, ARE THE PROPERTY OF DIGITAL EQUIPMENT CORPORATION AND SHALL NOT BE REPRODUCED OR COPIED OR USED IN WHOLE OR IN PART AS THE BASIS FOR THE MANUFACTURE OR SALE OF ITEMS WITHOUT WRITTEN PERMISSION. COPYRIGHT ©1978 DIGITAL EQUIPMENT CORPORATION"

TITLE
SHIPPING LIST VT100

ASSY NO. ~~4~~
SHEET 1 OF 4

SIZE B	CODE PL	NUMBER VT100-0	REV. F
INSERTION PARTS LIST DATA BASE REV			

DIGITAL EQUIPMENT CORPORATION PARTS LIST

MADE BY DATE	D. HEALY 14-JUN-78	CHECKED DATE	D. HEALY 14-JUN-78	SECTION A2
ENG DATE	E. WEDEKING 10-JUL-78	PROD DATE	K. HOFFMAN 10-JUL-78	ISSUED SECTION A2

QUANTITY / VARIATION											
VT100-AA	VT100-AB	VT100-NA	VT100-NB	VT100-WA	VT100-WB	VT100-WC	VT100-WD	VT100-WE	VT100-WF	VT100-WG	VT100-WH

NOTES:

REF DESIGNATION

ITEM NO.	DRAWING NO.	PART NO.	DESCRIPTION	VT100-AA	VT100-AB	VT100-NA	VT100-NB	VT100-WA	VT100-WB	VT100-WC	VT100-WD	VT100-WE	VT100-WF	VT100-WG	VT100-WH
19		VT100-WZ	TERM, VIDEO, WP W/230V PLUG	-	-	-	-	-	-	-	-	-	-	-	-
20		3615741-01	LABEL, SET-UP, VT100 FOR SYSTEMS	-	-	-	-	-	1	1	1	1	1	1	1
21		AA-H989A-TA	VT100 FOREIGN LANGUAGE SUPPLEMENT	-	-	-	-	-	1	1	1	1	1	1	1
22		VT100-LA	TERM, VIDEO, W/P40 TUBE	1	-	-	-	-	-	-	-	-	-	-	-
23		VT100-LB	TERM, VIDEO, W/P40 TUBE	-	1	-	-	-	-	-	-	-	-	-	-
24		VT100-PA	VT100-AA EXCEPT DARK GRAY 120V PRIVATE BRAND	-	-	-	-	-	-	-	-	-	-	-	-
25		VT100-PB	VT100-AB EXCEPT DARK GRAY 240V PRIVATE BRAND	-	-	-	-	-	-	-	-	-	-	-	-
26		VT100-PC	VT100-PA WITHOUT ELECTRONICS 120V PRIVATE BRAND	-	-	-	-	-	-	-	-	-	-	-	-
27		VT100-PD	VT100-PB WITHOUT ELECTRONICS 240V PRIVATE BRAND	-	-	-	-	-	-	-	-	-	-	-	-
28		VT100-PE	VT100-PA WITHOUT ELECTRONICS & NO KEYBOARD 120V PRIVATE BRAND	-	-	-	-	-	-	-	-	-	-	-	-
29		VT100-PF	VT100-PB WITHOUT ELECTRONICS & NO KEYBOARD 240V PRIVATE BRAND	-	-	-	-	-	-	-	-	-	-	-	-
30		EK-VT100-RC	VT100 PROGRAM REF CARD	1	1	1	1	1	1	1	1	1	1	1	1
31		3618307-05	BOOKLET, FCC STATEMENT, WITH POUCH	1	1	1	1	1	1	1	1	1	1	1	1

E.C.O. NO. _____

"THIS DRAWING AND SPECIFICATIONS, HEREIN, ARE THE PROPERTY OF DIGITAL EQUIPMENT CORPORATION AND SHALL NOT BE REPRODUCED OR COPIED OR USED IN WHOLE OR IN PART AS THE BASIS FOR THE MANUFACTURE OR SALE OF ITEMS WITHOUT WRITTEN PERMISSION. COPYRIGHT ©1978 DIGITAL EQUIPMENT CORPORATION"

TITLE
SHIPPING LIST VT100

ASSY NO.
SHEET 2 OF 4

SIZE	CODE	NUMBER	REV.
B	PL	VT100-0	F

INSERTION PARTS LIST DATA BASE REV

DIGITAL EQUIPMENT CORPORATION PARTS LIST				QUANTITY / VARIATION											NOTES:			
MADE BY D. HEALY DATE 14-JUN-78		CHECKED D. HEALY DATE 14-JUN-78		SECTION B1		VT100-WJ	VT100-WK	VT100-WY	VT100-WZ	VT100-LA	VT100-LB	VT100-PA	VT100-PB	VT100-PC	VT100-PD	VT100-PE	VT100-PF	REF DESIGNATION
ENG E. WEDEKING DATE 10-JUL-78		PROD K. HOFFMAN DATE 10-JUL-78		ISSUED SECTION B2														
ITEM NO.	DRAWING NO.	PART NO.	DESCRIPTION															
1	EK-VT100-UG-001	EK-VT100-UG	GUIDE, USERS VT100	1	1	1	1	1	1	-	-	-	-	-	-	-	-	
2		3615741	LABEL, SETUP, VT100	-	-	-	-	1	1	-	-	-	-	-	-	-	-	
3		VT100-AA	TERM., VIDEO, W/115V PLUG	-	-	-	-	-	-	-	-	-	-	-	-	-	-	
4		VT100-AB	TERM., VIDEO, W/230V PLUG	-	-	-	-	-	-	-	-	-	-	-	-	-	-	
5		VT100-NA	TERM., VIDEO, DECFORM, W/115V PLUG	-	-	-	-	-	-	-	-	-	-	-	-	-	-	
6		VT100-NB	TERM., VIDEO, DECFORM, W/230V PLUG	-	-	-	-	-	-	-	-	-	-	-	-	-	-	
7		VT100-WA	TERM., VIDEO, WORD PROCESSING W/115V PLUG.	-	-	1	-	-	-	-	-	-	-	-	-	-	-	
8		VT100-WB	TERM., VIDEO, WORD PROCESSING, W/ 230V PLUG.	-	-	-	1	-	-	-	-	-	-	-	-	-	-	
9	A-SP-VT100-W-0		INSTALLATION NOTES, WORD PROCESSING TERMINAL.	1	1	1	1	-	-	-	-	-	-	-	-	-	-	
10		VT100-WC	TERM, VIDEO, FR. CANADIAN WP W/ 115V PLUG	-	-	-	-	-	-	-	-	-	-	-	-	-	-	
11		VT100-WD	TERM, VIDEO, FR. CANADIAN WP W/ 230V PLUG	-	-	-	-	-	-	-	-	-	-	-	-	-	-	
12		VT100-WE	TERM, VIDEO, FRENCH WP W/115V PLUG	-	-	-	-	-	-	-	-	-	-	-	-	-	-	
13		VT100-WF	TERM, VIDEO, FRENCH WP W/230V PLUG	-	-	-	-	-	-	-	-	-	-	-	-	-	-	
14		VT100-WG	TERM, VIDEO, DUTCH WP W/115V PLUG	-	-	-	-	-	-	-	-	-	-	-	-	-	-	
15		VT100-WH	TERM, VIDEO, DUTCH WP W/230V PLUG	-	-	-	-	-	-	-	-	-	-	-	-	-	-	
16		VT100-WJ	TERM, VIDEO, GERMAN WP W/115V PLUG	1	-	-	-	-	-	-	-	-	-	-	-	-	-	
17		VT100-WK	TERM, VIDEO, GERMAN WP W/230V PLUG	-	1	-	-	-	-	-	-	-	-	-	-	-	-	
18		VT100-WY	TERM, VIDEO, WP W/115V PLUG	-	-	1	-	-	-	-	-	-	-	-	-	-	-	

E.C.O. NO.	"THIS DRAWING AND SPECIFICATIONS, HEREIN, ARE THE PROPERTY OF DIGITAL EQUIPMENT CORPORATION AND SHALL NOT BE REPRODUCED OR COPIED OR USED IN WHOLE OR IN PART AS THE BASIS FOR THE MANUFACTURE OR SALE OF ITEMS WITHOUT WRITTEN PERMISSION. COPYRIGHT © 1978 DIGITAL EQUIPMENT CORPORATION"	TITLE SHIPPING LIST VT100	ASSY NO. #	SIZE B	CODE PL	NUMBER VT100-0	REV. F
			SHEET 3 OF 4	INSERTION PARTS LIST DATA BASE REV			

DIGITAL EQUIPMENT CORPORATION PARTS LIST

MADE BY	D. HEALY	CHECKED	D. HEALY	SECTION
DATE	14-JUN-78	DATE	14-JUN-78	B2
ENG	E. WEDEKING	PROD	K. HOFFMAN	ISSUED SECTION
DATE	10-JUL-78	DATE	10-JUL-78	B2

QUANTITY / VARIATION

NOTES:

VT100-WJ	VT100-WK	VT100-WY	VT100-WZ	VT100-LA	VT100-LB	VT100-PA	VT100-PB	VT100-PC	VT100-PD	VT100-PE	VT100-PF
----------	----------	----------	----------	----------	----------	----------	----------	----------	----------	----------	----------

ITEM NO.	DRAWING NO.	PART NO.	DESCRIPTION	VT100-WJ	VT100-WK	VT100-WY	VT100-WZ	VT100-LA	VT100-LB	VT100-PA	VT100-PB	VT100-PC	VT100-PD	VT100-PE	VT100-PF	REF DESIGNATION
19		VT100-WZ	TERM, VIDEO, WP W/230V PLUG	-	-	-	1	-	-	-	-	-	-	-	-	
20		3615741-01	LABEL, SET-UP, VT100 FOR SYSTEMS	1	1	1	1	-	-	-	-	-	-	-	-	
21		AA-H989A-TA	VT100 FOREIGN LANGUAGE SUPPLEMENT	1	1	1	1	-	-	-	-	-	-	-	-	
22		VT100-LA	TERM, VIDEO, W/P40 TUBE	-	-	-	-	1	-	-	-	-	-	-	-	
23		VT100-LB	TERM, VIDEO, W/P40 TUBE	-	-	-	-	-	1	-	-	-	-	-	-	
24		VT100-PA	VT100-AA EXCEPT DRAK GRAY 120V PRIVATE BRAND	-	-	-	-	-	-	1	-	-	-	-	-	
25		VT100-PB	VT100-AB EXCEPT DARK GRAY 240V PRIVATE BRAND	-	-	-	-	-	-	-	1	-	-	-	-	
26		VT100-PC	VT100-PA WITHOUT ELECTRONICS 120V PRIVATE BRAND	-	-	-	-	-	-	-	-	1	-	-	-	
27		VT100-PD	VT100-PB WITHOUT ELECTRONICS 240V PRIVATE BRAND	-	-	-	-	-	-	-	-	-	1	-	-	
28		VT100-PE	VT100-PA WITHOUT ELECTRONICS & NO KEYBOARD 120V PRIVATE BRAND	-	-	-	-	-	-	-	-	-	-	1	-	
29		VT100-PF	VT100-PB WITHOUT ELECTRONICS & NO KEYBOARD 240V PRIVATE BRAND	-	-	-	-	-	-	-	-	-	-	-	1	
30		EK-VT100-RC	VT100 PROGRAM REF CARD	1	1	1	1	1	1	1	1	1	1	1	1	
31		3618307-05	BOOKLET, FCC STATEMENT, WITH POUCH	1	1	1	1	1	1	1	1	-	1	1	1	

<p style="font-size: small;">E.C.O. NO.</p> <p style="font-size: x-small;">THIS DRAWING AND SPECIFICATIONS, HEREIN, ARE THE PROPERTY OF DIGITAL EQUIPMENT CORPORATION AND SHALL NOT BE REPRODUCED OR COPIED OR USED IN WHOLE OR IN PART AS THE BASIS FOR THE MANUFACTURE OR SALE OF ITEMS WITHOUT WRITTEN PERMISSION. COPYRIGHT © 1978 DIGITAL EQUIPMENT CORPORATION</p>	<p>TITLE</p> <p style="text-align: center;">SHIPPING LIST VT100</p>	<p>ASSY NO.</p> <p style="text-align: center;">— # —</p>	<p>SIZE</p> <p style="text-align: center;">B</p>	<p>CODE</p> <p style="text-align: center;">PL</p>	<p>NUMBER</p> <p style="text-align: center;">VT100-0</p>	<p>REV.</p> <p style="text-align: center;">F</p>
		SHEET 4 OF 4	INSERTION PARTS LIST DATA BASE REV			

DIGITAL EQUIPMENT CORPORATION		MAYNARD, MASSACHUSETTS	
ENGINEERING SPECIFICATION			
TITLE VT100-W Word Processing Terminals Installation Notes		DATE 6/28/79	
REVISIONS			
REV	DESCRIPTION	CHG NO	ORIG
A	ECO CHANGE	VT100-W, TREMBLAY 3/12/79 ML228	79
		DATE	APPD BY
		3/12/79	Don Young
		DATE	APPD BY
		3/12/79	Don Young

The VT100 family of Word Processing Terminals consists of the basic VT100, in which, parts have been added or substituted to make unique terminals, dedicated to word processing applications in various languages.

Table 1 lists the unique parts make-up of the various VT100 Word Processing Terminals.

The VT100 incorporates a user set-up option which is activated by the set-up key on the keyboard. This option allows the user to change the set-up system using the VT100, a WORD PROCESSING TERMINAL SET-UP had been defined. These settings are preset at the factory.

Table 2 shows the correct set-up B settings for VT100-WA and VT100-WB variations. Table 3 shows the correct settings for VT100-WC through VT100-WR, VT100-WT, and VT100-WZ.

Verify that the terminal is set-up correctly. If necessary, change incorrect settings then store the settings in the VT100's semi-permanent memory (Ref: VT100 User Guide 2E-VT100-0011).

Unique to the VT100 Word Processing Terminal is a Word Processing Advanced Video Module P/N 5413097-03. Table 5 illustrates ROM and jumper placement for the various modules.

Also unique to the VT100 Foreign Word Processing Terminals is a language set-up mode called the set-up C mode. Table No. 4 illustrates the correct settings for the set-up C mode to select any one of 5 different languages.

Table 1
 Word Processing VT100 Unique Parts

Variation * Basic Unit	Unique Part	Part Number
VT100-WD	* French Canadian Key Bd.	* 7015765-05
	* For. Language Advanced	* 5413097-03
	* Video Module w/ROM A	* 5413009-02
	* Basic Video Board	* 7015765-06
VT100-WE	* French Key Bd.	* 7015765-06
	* For. Language Advanced	* 5413097-03
	* Video Module w/ROM A	* 5413009-02
	* Basic Video Board	* 7015765-06
VT100-WF	* French Key Bd.	* 7015765-06
	* For. Language Advanced	* 5413097-03
	* Video Module w/ROM A	* 5413009-02
	* Basic Video Board	* 7015765-06
VT100-WG	* Dutch Key Bd.	* 7015765-07
	* For. Language Advanced	* 5413097-03
	* Video Module w/ROM A	* 5413009-02
	* Basic Video Board	* 7015765-07
VT100-WH	* Dutch Key Bd.	* 7015765-07
	* For. Language Advanced	* 5413097-03
	* Video Module w/ROM A	* 5413009-02
	* Basic Video Board	* 7015765-07
VT100-WJ	* German Key Bd.	* 7015765-08
	* For. Language Advanced	* 5413097-03
	* Video Module w/ROM A	* 5413009-02
	* Basic Video Board	* 7015765-08
VT100-WK	* German Key Bd.	* 7015765-08
	* For. Language Advanced	* 5413097-03
	* Video Module w/ROM A	* 5413009-02
	* Basic Video Board	* 7015765-08
VT100-WY	* Word Proc. Key Bd.	* 5413097-03
	* For. Language Advanced	* 5413097-03
	* Video Module w/ROM A	* 5413009-02
	* Basic Video Board	* 7015765-03
VT100-WZ	* Word Proc. Key Bd.	* 5413097-03
	* For. Language Advanced	* 5413097-03
	* Video Module w/ROM A	* 5413009-02
	* Basic Video Board	* 7015765-03

Table 2
Word Processing User Option Set-up "B"

VT100-WA Set-up B

SET-UP B
TO EXIT PRESS "SET-UP"

1100 0101 0000 0010 T SPEED 9600 R SPEED 9600

SET-UP B mode may only be entered from SET-UP A mode. To enter SET-UP B from SET-UP A, press the 5 key on the main keyboard. The display will have a presentation similar to the figure shown above.

The table shown below explains the function of each bit and their proper setting.

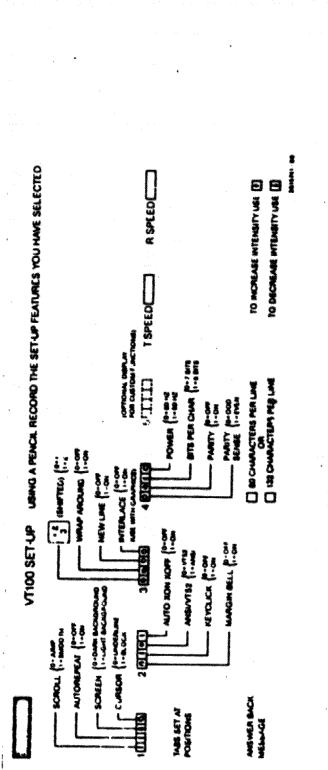


Table 1 (continued)
Word Processing VT100 Unique Parts

Variation * Basic Unit	Unique Part	Part Number
VT100-WD	* French Canadian Key Bd.	* 7015765-05
	* For. Language Advanced	* 5413097-03
	* Video Module w/ROM A	* 5413009-02
	* Basic Video Board	* 7015765-06
VT100-WE	* French Key Bd.	* 7015765-06
	* For. Language Advanced	* 5413097-03
	* Video Module w/ROM A	* 5413009-02
	* Basic Video Board	* 7015765-06
VT100-WF	* French Key Bd.	* 7015765-06
	* For. Language Advanced	* 5413097-03
	* Video Module w/ROM A	* 5413009-02
	* Basic Video Board	* 7015765-06
VT100-WG	* Dutch Key Bd.	* 7015765-07
	* For. Language Advanced	* 5413097-03
	* Video Module w/ROM A	* 5413009-02
	* Basic Video Board	* 7015765-07
VT100-WH	* Dutch Key Bd.	* 7015765-07
	* For. Language Advanced	* 5413097-03
	* Video Module w/ROM A	* 5413009-02
	* Basic Video Board	* 7015765-07
VT100-WJ	* German Key Bd.	* 7015765-08
	* For. Language Advanced	* 5413097-03
	* Video Module w/ROM A	* 5413009-02
	* Basic Video Board	* 7015765-08
VT100-WK	* German Key Bd.	* 7015765-08
	* For. Language Advanced	* 5413097-03
	* Video Module w/ROM A	* 5413009-02
	* Basic Video Board	* 7015765-08
VT100-WY	* Word Proc. Key Bd.	* 5413097-03
	* For. Language Advanced	* 5413097-03
	* Video Module w/ROM A	* 5413009-02
	* Basic Video Board	* 7015765-03
VT100-WZ	* Word Proc. Key Bd.	* 5413097-03
	* For. Language Advanced	* 5413097-03
	* Video Module w/ROM A	* 5413009-02
	* Basic Video Board	* 7015765-03

Table 2
Word Processing User Option Set-up "B"

VT100-WB Set-up B

SET-UP B
TO EXIT PRESS "SET-UP"

1100 0101 1000 0011 T SPEED 9600 R SPEED 9600

SET-UP B mode may only be entered from SET-UP A mode. To enter SET-UP B from SET-UP A, press the 5 key on the main keyboard. The display will have a presentation similar to the figure shown above.

The table shown below explains the function of each bit and their proper setting.

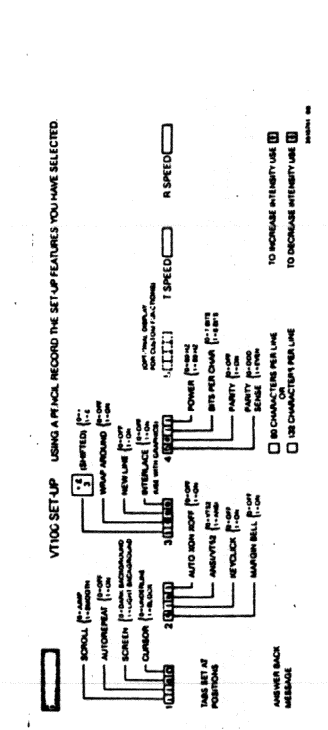


Table 3
Word Processing User Option Set-up "B"
VT100-WC-WK, WY, and WZ Set-up B

SET-UP B
TO EXIT PRESS "SET-UP"

1100 0101 0000 0001 P=80 T 9600 R 9600

NOTE: For WC and WD variations Group 4 should contain all zero's, unless 50 Hz, local echo and/or parity check is desired.
SET-UP B mode may only be entered from SET-UP A mode. To enter SET-UP B from SET-UP A, press the 5 key on the main keyboard. The display will have a presentation similar to the figure shown above.

The table shown below explains the function of each bit and their proper setting.
If the parity setting (P=?) is incorrect, it can be changed by holding the shift key down and pressing the P key repeatedly until the desired setting is displayed.

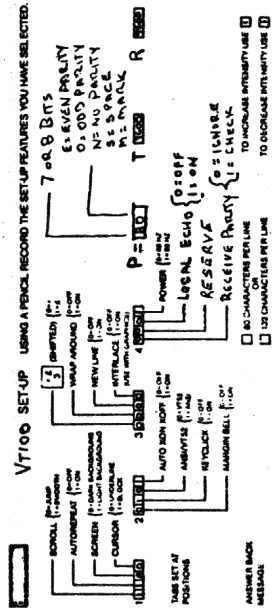


Table 5
Word Processing Adv. Video Module
ROM and Jumper Locations

VT100-WA & WB 5413097-01

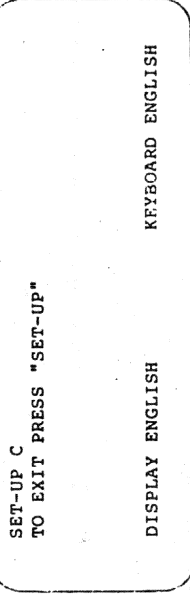
J1	
+W1+	<-- in
+++	
+++	<-- out
+++	
+++	<-- in
+W7+	
+++	
+++	
+++	<-- out
+++	
+++	<-- out
+++	
E19	BLANK
23-	BLANK
069E21	BLANK
-00	BLANK

Table 4
Word Processing User Option Set-up C

The SET-up C mode for VT100 variations -WC through WK, -WY and -WZ allows you to select any one of the following languages.

- French Canadian
- French
- Dutch
- German
- English

SET-UP C mode may only be entered from SET-UP A mode. To enter SET-UP C from SET-UP A, press the 5 key on the main keyboard twice. The display will have a presentation similar to the figure shown below.



To change the language setting for the display and/or keyboard, advance the cursor until it is positioned above the incorrect language setting then press the number 6 key repeatedly until the desired language setting is displayed.

For terminals set-up for French all numbers (0-9) on the main keyboard are in the shifted position, therefore, they can only be accessed by holding the shift key down and then pressing the desired number key.

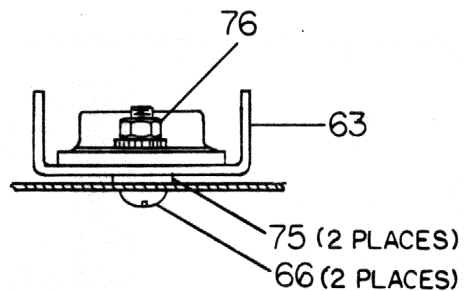
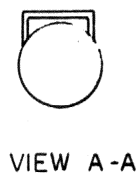
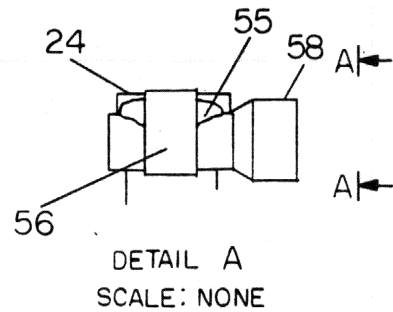
It is suggested that the "Caps Lock" key ("Shift Lock" in the French keyboard mode) be always engaged when doing set-up functions to eliminate confusion during set-up.

Table 5 (continued)
Word Processing Adv. Video Module
ROM and Jumper Locations

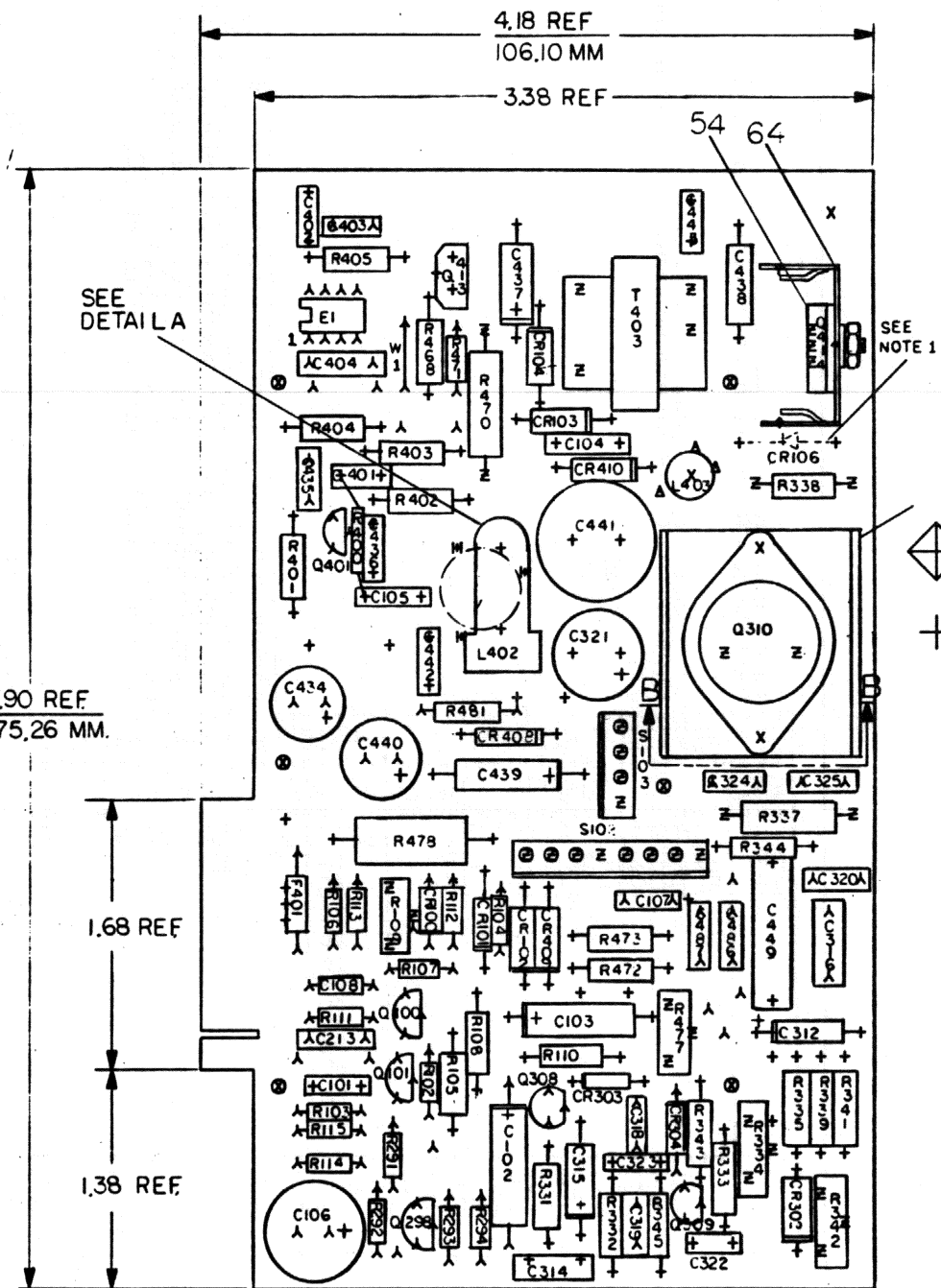
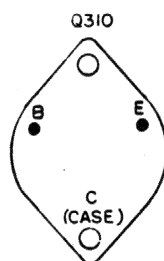
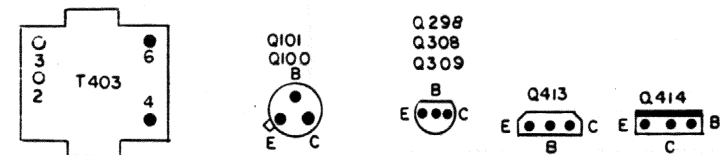
VT100-WC-WK, WY & WZ 5413097-03

J1	
+++	<-- out
+++	
+++	<-- in
+++	
+W6+	
+++	
+++	<-- out
+++	
+++	<-- out
+++	
+++	<-- out
+++	
E19	BLANK
23-	BLANK
093E21	BLANK
-00	BLANK

COMPONENT SIDE VIEW



TRANSISTORS BOTTOM VIEW



NOTES: 1 CR106 DO NOT USE
2 MAXIMUM LEAD LENGTH PROTRUSION .150 INCH ON SIDE 2

STEP	REV	Y AXIS	STEP	TIMES
REPEAT		X AXIS	STEP	TIMES

CHANGE NO	REV	REASON	DATE	BY
544131-M-007	P	REDESIGN	12-2-91	P. PUCCI
544131-M-008	R	REDESIGN	12-11-91	K. TENNEY

ETCH REV. D-PI

SIGNATURES	DATE	TITLE
DRN. <i>John D. ...</i>	12-2-91	digital
CHK. D. <i>John D. ...</i>	12-2-91	
MECH. ENG. <i>John D. ...</i>	12-11-91	
PROJ. ENG. <i>John D. ...</i>	12-11-91	
PROD. <i>John D. ...</i>	12-11-91	
SCALE 2/1		
SHT. 1 OF 1		
NEXT HIGHER REVISION: B-DD-5414131-0		

LINE	ITEM	DOCUMENT NUMBER	PART NUMBER	DESCRIPTION	QTY	PER	VARIATION	REFERENCE DESIGNATOR
					00	01		
1	1	E-MD-5014130-0-0	5014130-00	DRILLED AND ETCH BOARD FOR VT100	1	1		
			1016544-00	.1 MFD 100V 10% MYLR	1	1		C107,C442
			1016546-00	.22 MFD 660V 10% MET. MYLR	1	1		C449
			1016569-00	.0022 MFD 100V 10% MYLR	1	1		C436,C402
			1016639-00	.01 MFD 200V 10% MYLR	1	1		C320
			1016547-00	.022 MFD 200V 10% MYLR	1	1		C438
			1016548-00	1000 MFD 16V +50-10% AL EL	1	1		C321
			1010274-02	1 MFD 50V +80-20% CER	1	1		C443
			1016555-00	22 MFD 50V +50-10% AL EL	1	1		C102,C103
			1016496-00	4.7MFD 35V 20% S.TANT	1	1		C318,C319
			1016554-00	75 MFD 6V +75-10% AL EL	1	1		C439
			1016553-00	4.7MFD 25V +75-10% AL EL	1	1		C312,C437
			1016558-00	10 MFD 25V 20% AL EL	1	1		C441
			1016557-00	470 MFD 16V +50-10% AL EL	1	1		C106,C434,C440
			1016556-00	.05 MFD 100V +80-20%Z5U DISC	3	3		C213,C314,C404
			1016570-00	.001 MFD 500V +80-20%Z5U DISC	2	2		C435,C403
			1016571-00	.02 MFD 500V +80-20%Z5U DISC	4	4		C104,C105,C486,C487
			1016572-00	300.0 MMF 500V 10% X5P DISC	1	1		C101
			1000004-00	.02 MFD 100V 20% Z5U DISC	4	4		C322,C323,C324,C325
			1116474-00	IN 4007 PIV=1000 I=1A D041	4	4		CR101,CR102,CR103,CR104
			1116477-00	IN 4156 PIV= 20 D035	1	1		CR304
			1114892-00	IN 4747A VZ= 20.0 5% 1W	1	1		CR410
			1116476-00	PIV=400	1	1		CR408
			1216530-04	MAGNET,PINCUSHION 10 GAUSS	1	1		
		SEE NOTE	1003053-00	.047 MFD 250V 20% MET. MYLR	1	1		C316
			1316522-00	2.50 K .25 W20.0 % POT	1	1		R342
			1316522-02	5.0 M .25 W20.0 % POT	1	1		R477
			1316522-01	100.0 K .25 W20.0 % POT	2	2		R109,R334
			1317528-00	39.0 2.0 W10.0 % CC	1	1		R470
			1300479-00	10.0 K .25 W 5.0 % CC	1	1		R291

REVISION HISTORY		BASIC PART NO: 5414131		DRN: KENT GLEEZEN	DATE: 24-MAR-81	D I G I T A L	
ENG	ECO NUMBER	REV	SECTION A OF A	CHK'D: KENT GLEEZEN	DATE: 24-MAR-81	PARTS LIST	
	INITIAL	P	SECTION VARIATION INDEX	DES.ENG: DICK PUCCI	DATE: 24-MAR-81	VT100 MONITOR	
DP	5414131-MLO07	R	[A] 00,01	RESP.ENG.: DICK PUCCI	DATE: 24-MAR-81	DOCUMENT NUMBER	
DP	5414131-MLO08	S	[B]	MFG.ENG.: AL JOHNS	DATE: 24-MAR-81	SIZE	CODE
			[C]	ASSEMBLY NUMBER:	TOP DOCUMENT NUMBER:	NUMBER	REV
			[D]	D-UA-5414131-0-0	B-DD-5414131-0-0	K	PL
			[E]			PL	5414131-0-0BP
			[F]				S
			[G]				
			[H]				
			[I]				
			[J]				
			[K]				
			[L]				
			[M]				
			[N]				
<p>"THIS DRAWING AND SPECIFICATIONS HEREIN, ARE THE PROPERTY OF DIGITAL EQUIPMENT CORPORATION AND SHALL NOT BE REPRODUCED OR COPIED OR USED IN WHOLE OR IN PART AS THE BASIS FOR THE MANUFACTURE OR SALE OF ITEMS WITHOUT WRITTEN PERMISSION. COPYRIGHT (C) 1982. DIGITAL EQUIPMENT CORPORATION"</p>							

LINE	ITEM	DOCUMENT NUMBER	PART NUMBER	DESCRIPTION	QTY	PER	VARIATION	REFERENCE DESIGNATOR
					00	01		
63			1300445-00	4.70 K .50 W 5.0 %	1	1		R331
64			1316504-00	68.0 K .50 W 5.0 %	1	1		R332
65			1300385-00	1.0 K .50 W 5.0 %	1	1		R344
66			1316506-00	100.0 K .50 W 5.0 %	2	2		R472, R473
67			1316508-00	3.90 K .50 W 5.0 %	1	1		R338
68			1316509-00	3.90 K 1.0 W 5.0 %	1	1		R337
69			1302396-00	150.0 K .25 W 5.0 %	1	1		R106
70			1300228-00	100.0 K .50 W 5.0 %	2	2		R481, R343
71			1300364-00	1.0 K .50 W 5.0 %	1	1		R468
72			1300296-00	330.0 K .50 W 5.0 %	1	1		R345
73			1300356-00	820.0 W 10.0 W 5.0 %	1	1		R108
74			1300461-00	6.80 K .50 W 5.0 %	1	1		R339
75			1300440-00	3.30 K .50 W 5.0 %	1	1		R110
76			1300496-00	15.0 K .25 W 5.0 %	1	1		R107
77			1300274-00	220.0 W 5.0 W 5.0 %	1	1		R105
78			1300285-00	270.0 W 5.0 W 5.0 %	1	1		R341
79			1316525-00	1.0 3.0 W 10.0 %	1	1		R479
80			1509525-00	2N 3906 PNP 310MW SI 40100 Y	1	1		Q298
81			CONT					
82			1516492-00	2N 5830 NPN 1W SI100 1	1	2		Q298, Q100
83			1509524-00	2N 3904 NPN 310MW SI 40 40 M	2	2		Q101
84			1516491-00	2N 6427 NPN 1.5W SI 40 1.5	1	1		Q308, Q401
85			1516532-00	NPN 125W SI250 25	1	1		Q309
86			1516490-00	MPSU05 NPN 10W SI	1	1		Q310
87			1517534-00	BU 407D NPN POWER TRANS T0220	1	1		Q413
88			4901303-00	WAX	A/R	A/R		Q414
89			9107685-00	TUBING SHRINK 1/2 DIA.EXP UL	A/R	A/R		
90			1616309-00	XFMR, HORIZONTAL DRIVE	1	1		T403
91			1616538-00	COIL, HORIZONTAL, LINEAR	1	1		L402
92			1616536-00	XFMR, HORIZONTAL WIDTH	1	1		L403
93			1210929-05	FUSE, SUB-MINI 2.500A, 125V, A	1	1		F401
94			1216521-01	HEADER 4POS	1	1		S102
95			1216521-00	HEADER 4POS	1	1		S103
96			1216471-00	HEAT SINK, BOTTOM ONLY	1	1		
97			1217561-00	HEAT SINK, T0-220, YELLOW CHROMATE	1	1		
98			4901304-00	COMPOUND, SILICONE THERMAL, VISC	A/R	A/R		
99			9006022-01	SCREW, PAN, PHIL 6-32X 3/8 SS	2	2		
100			1001776-00	1 MFD 35V 10% S.TANT	1	1		C315
101			1304837-00	24.0 K .25 W 5.0 %	1	1		R335
102			1300315-00	470.0 .50 W 5.0 %	1	1		R401
103			1300415-00	2.20 K .50 W 5.0 %	1	1		R402, R403
104			1300443-00	3.90 K .50 W 5.0 %	2	2		R404, R333
105			1300467-00	7.50 K .50 W 5.0 %	1	1		R405
106			1000042-00	1000.0 MMF 100V 5%200PPM MICA	1	1		C401
107			1911944-00	555CN TIMER, FUNCT. BLOCK	1	1		E1
108			9006659-00	WASHER, FLAT, .375 O.D. X .156 I	2	2		
109			9008185-00	NUT, KEP 6-32X 1/4 AF	3	3		
110			1300197-00	33.0 .25 W 5.0 %	1	1		R471

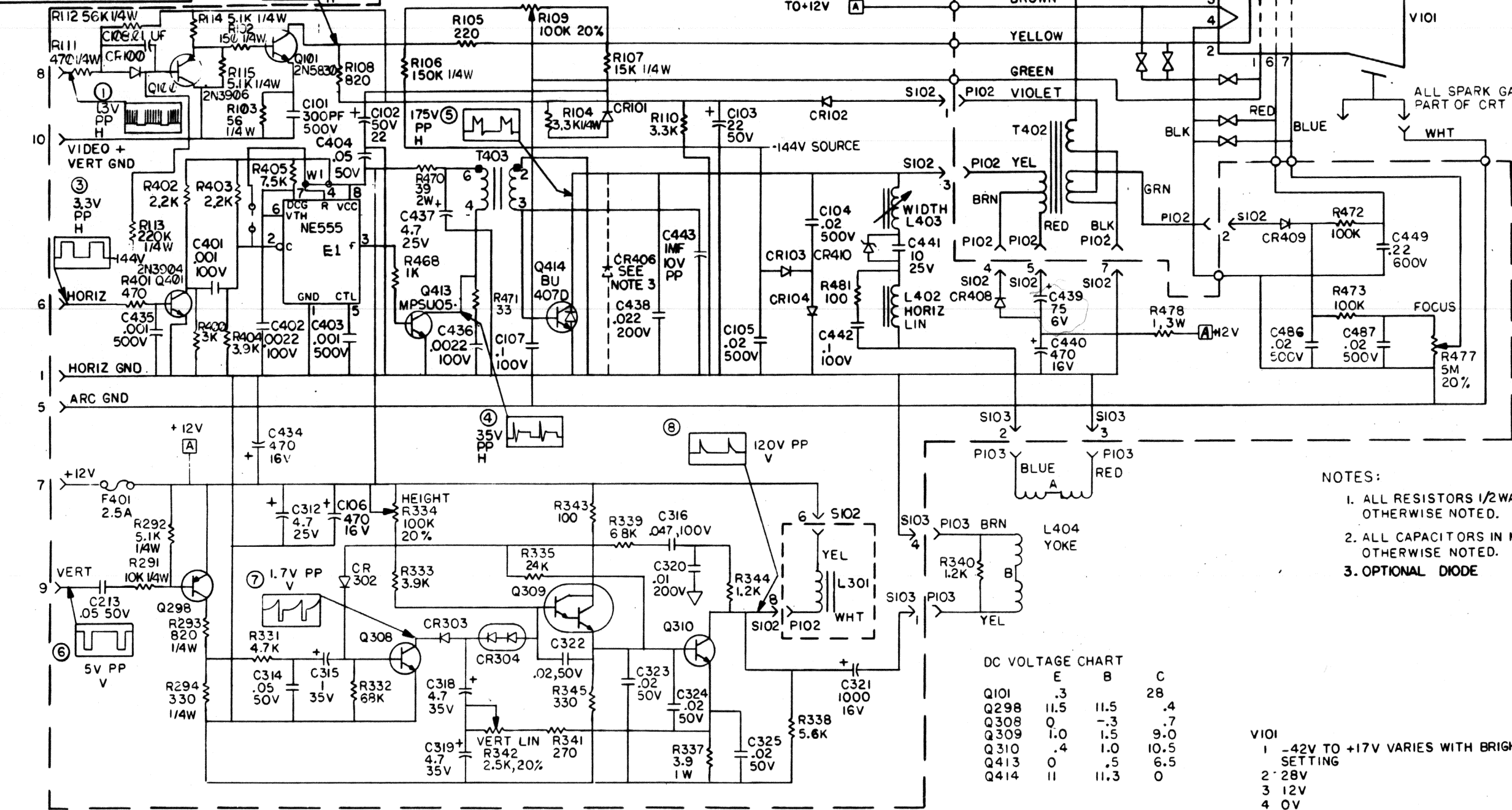
D	I	G	I	T	A	L	TITLE	SECTION A OF A	SIZE	CODE	DOCUMENT NUMBER	REV
							VT100 MONITOR		K	PL	5414131-0-DBP	S

LINE	ITEM	DOCUMENT NUMBER	PART NUMBER	DESCRIPTION	QTY PER VARIATION		REFERENCE DESIGNATOR	
					00	01		
78	78		1300432-00	3.0 K .25 W 5.0 %	CC	1	1	R400
79	79		1300439-00	3.30 K .25 W 5.0 %	CC	1	1	R104
80	80		1301775-00	820.0 .25 W 5.0 %	CC	1	1	R293
81	81		1300295-00	330.0 .25 W 5.0 %	CC	1	1	R294
82	82		9107776-99	WIRE(WRAP)22AWG,IPVC	UL1429 WH	A/R	-	-
83	83		9009185-00	JUMPER, WIRE, INSULATED, BLACK B		1	1	W1
84	84		1302602-00	56.0 .25 W 5.0 %	CC	2	-	R102, R103
			CONT			-	1	R103
85	85		1300250-00	150.0 .25 W 5.0 %	CC	-	1	R102
86	86		1300316-00	470.0 .25 W 5.0 %	CC	-	1	R111
87	87		1302395-00	56.0 K .25 W 5.0 %	CC	-	1	R112
88	88		1302092-00	220.0 K .25 W 5.0 %	CC	1	1	R113
89	89		1312930-00	5.10 K .25 W 5.0 %	CC	1	-	R292
			CONT			-	3	R292, R114, R115
90	90		1001610-00	.01 MFD 50V +80-20% Z5U CER		-	1	C109
91	91		1116475-00	1N 4148 PIV= 75 D035		2	-	CR302, CR303
			CONT			-	3	CR302, CR303, CR100
92	92		1111854-01	MR 817 PIV=800 I= 1A D041 S		1	1	CR409

93 NOTE: P/N 1000051-00 CAN BE USED AS AN ALTERNATE FOR P/N 1003053-00.

D	I	G	I	T	A	L	TITLE	SECTION A OF A	SIZE	CODE	DOCUMENT NUMBER	REV
							VT100 MONITOR		K	PL	5414131-0-DBP	S

THIS DRAWING AND SPECIFICATIONS HEREAFTER ARE THE PROPERTY OF THE UNITED STATES GOVERNMENT AND ARE LOANED TO YOU BY THE NATIONAL BUREAU OF STANDARDS. IT IS TO BE USED FOR THE REPRODUCTION OF THIS DRAWING ONLY. THE NATIONAL BUREAU OF STANDARDS IS NOT RESPONSIBLE FOR ANY REPRODUCTION OF THIS DRAWING FOR OTHER THAN THE ORIGINAL PURPOSE.



- NOTES:
1. ALL RESISTORS 1/2WATT 5% UNLESS OTHERWISE NOTED.
 2. ALL CAPACITORS IN MF UNLESS OTHERWISE NOTED.
 3. OPTIONAL DIODE

DC VOLTAGE CHART

	E	B	C
Q101	.3		28
Q298	11.5	11.5	.4
Q308	0	-.3	.7
Q309	1.0	1.5	9.0
Q310	.4	1.0	10.5
Q413	0	.5	6.5
Q414	11	11.3	0

- V101
- 1 -42V TO +17V VARIES WITH BRIGHTNESS CONTROL SETTING
 - 2 28V
 - 3 12V
 - 4 0V
 - 5 NC
 - 6 +365V
 - 7 0V TO +360V VARIES WITH FOCUS CONTROL SETTING
- 2ND ANODE 12KV

REV.	DATE	BY	CHK'D	DESCRIPTION
1	11-15-60	R. PUCCI	R. PUCCI	INITIAL DESIGN
2	11-15-60	R. PUCCI	R. PUCCI	REVISED FOR MOUNTING
3	11-15-60	R. PUCCI	R. PUCCI	REVISED FOR PARTS LIST
4	11-15-60	R. PUCCI	R. PUCCI	REVISED FOR TOLERANCES
5	11-15-60	R. PUCCI	R. PUCCI	REVISED FOR DIMENSIONS
6	11-15-60	R. PUCCI	R. PUCCI	REVISED FOR MATERIALS
7	11-15-60	R. PUCCI	R. PUCCI	REVISED FOR FINISHES
8	11-15-60	R. PUCCI	R. PUCCI	REVISED FOR ASSEMBLY

DRN. P. M. 1 MAR 71	FIRST USED ON	VT100
CHK'D. R. PUCCI 11 MAR 71	TITLE	VT100 MONITOR
ENGR. R. J. H. 11 MAR 71	SIZE	D
PROL. ENG. 11 MAR 71	CODE	CS
PROD. 11 MAR 71	NUMBER	5414131-0-1
NEXT HIGHER ASSY.	REV.	S
D-UA-5414131-0-G	SCALE	
SHEET 1 OF 1	DIST.	

