

# VT 240 series

---

## Installation Guide

	Page
for monochrome monitor .....	1
for color monitor .....	21

Copyright © 1983 by Digital Equipment Corporation.  
All Rights Reserved.  
Printed in U.S.A.

The reproduction of this material, in part or whole, is strictly prohibited. For copy information, contact the Educational Services Department, Digital Equipment Corporation, Maynard, Massachusetts 01754.

The information in this document is subject to change without notice. Digital Equipment Corporation assumes no responsibility for any errors that may appear in this document.

Notice: This equipment generates and uses radio frequency energy. It has been type tested and found to comply with the limits for a Class B computing device in accordance with the specifications in Subpart J of Part 15 of FCC Rules, which are designed to provide reasonable protection against radio and television interference in a residential installation. However, there is no guarantee that interference will not occur in a particular installation. If this equipment does cause interference to radio or television reception, the user is encouraged to try to correct the interference.

The following are trademarks of Digital Equipment Corporation, Maynard, Massachusetts.

**digital**

DEC	DECwriter	P/OS	UNIBUS
DECmate	DIGITAL	Professional	VAX
DECnet	LA	Rainbow	VMS
DECUS	MASSBUS	RSTS	VT
	PDP	RSX	Work Processor

---

**VT240 INSTALLATION  
FOR  
MONOCHROME MONITOR**



## **SITE PLANNING SPECIFICATIONS**

SYSTEM BOX WEIGHT 7.2 Kg (16 lbs.)

VIDEO MONITOR 7.2 Kg (16 lbs.)

KEYBOARD WEIGHT 2 Kg (4.5 lbs.)

ELECTRICAL REQUIREMENTS 90 VAC to 128 VAC  
47 Hz to 63 Hz

OR

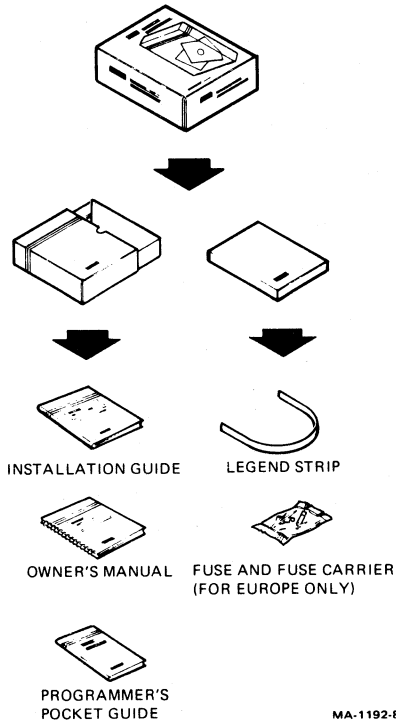
176 VAC to 268 VAC  
47 Hz to 63 Hz

## **OPERATING CONDITIONS**

RELATIVE HUMIDITY 10% to 90%

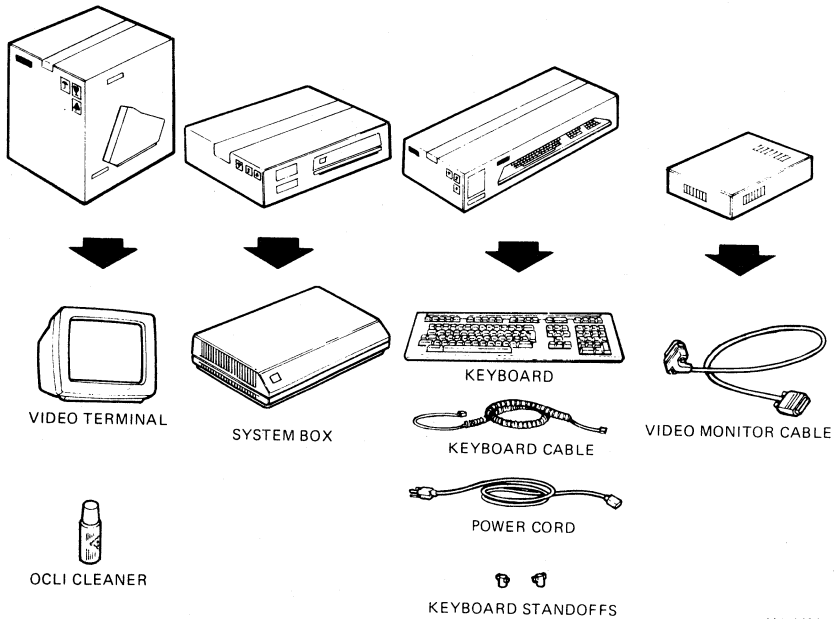
TEMPERATURE 10°C to 40°C (50°F to 104°F)

# Unpack documentation.



MA-1192-83

## Unpack terminal cartons.



MA-1193-83

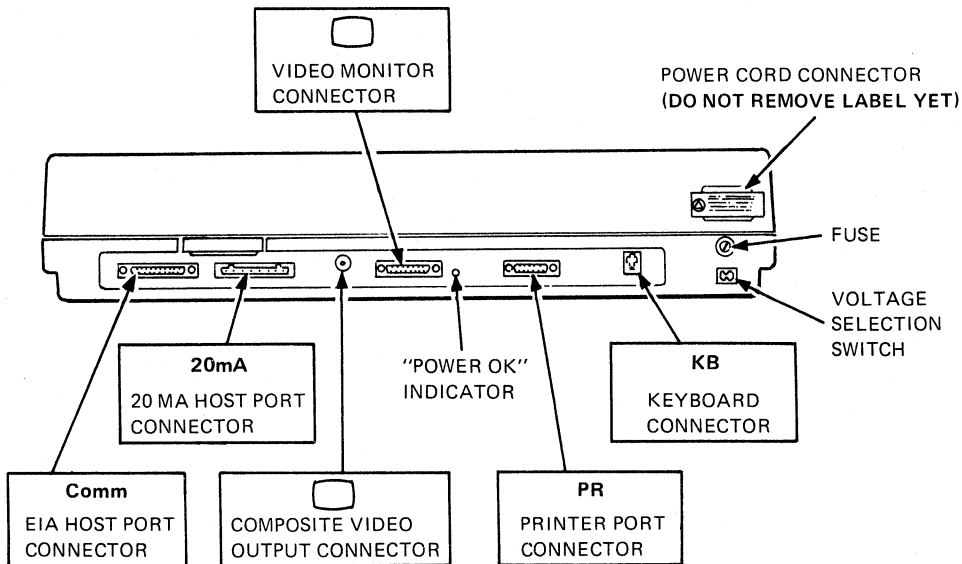
## MISSING ITEMS

- Identify item(s).
- Contact your sales representative and delivery agent.

## DAMAGE?

- Stop unpacking.
- Contact your sales representative and delivery agent.

**Identify connectors on system box.**

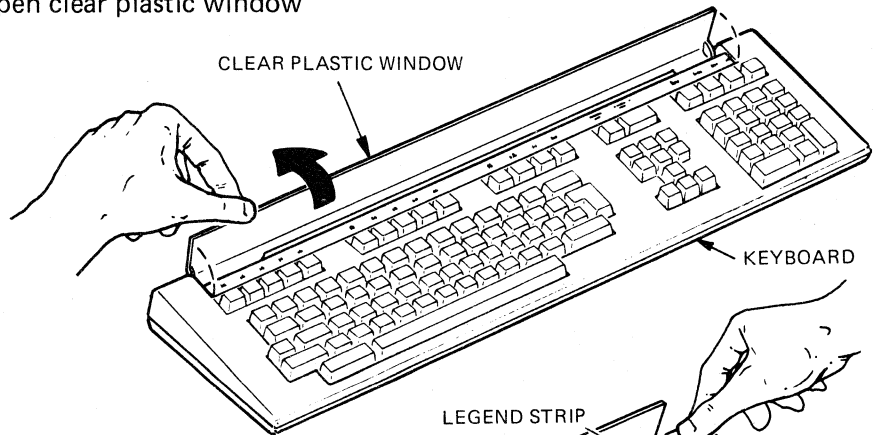


MA-1134-83

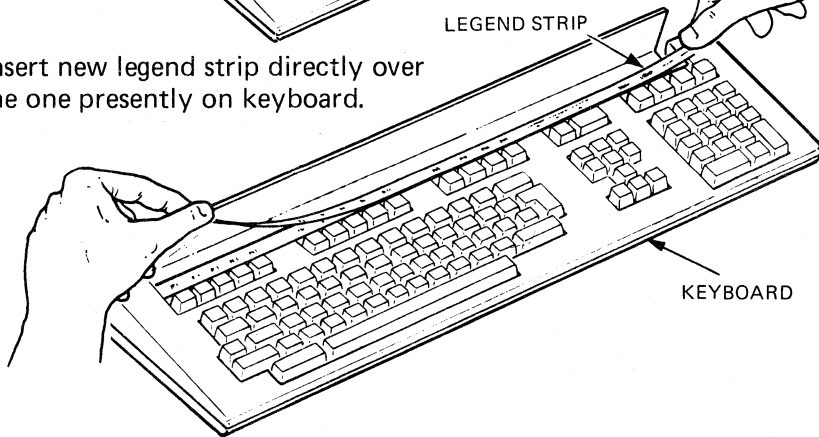


## Install legend strip.

1. Open clear plastic window

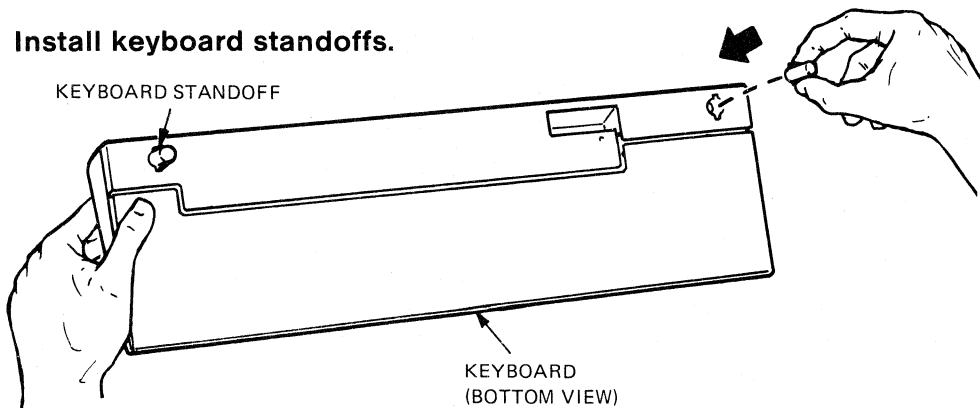


2. Insert new legend strip directly over the one presently on keyboard.



3. Close clear plastic window

## Install keyboard standoffs.



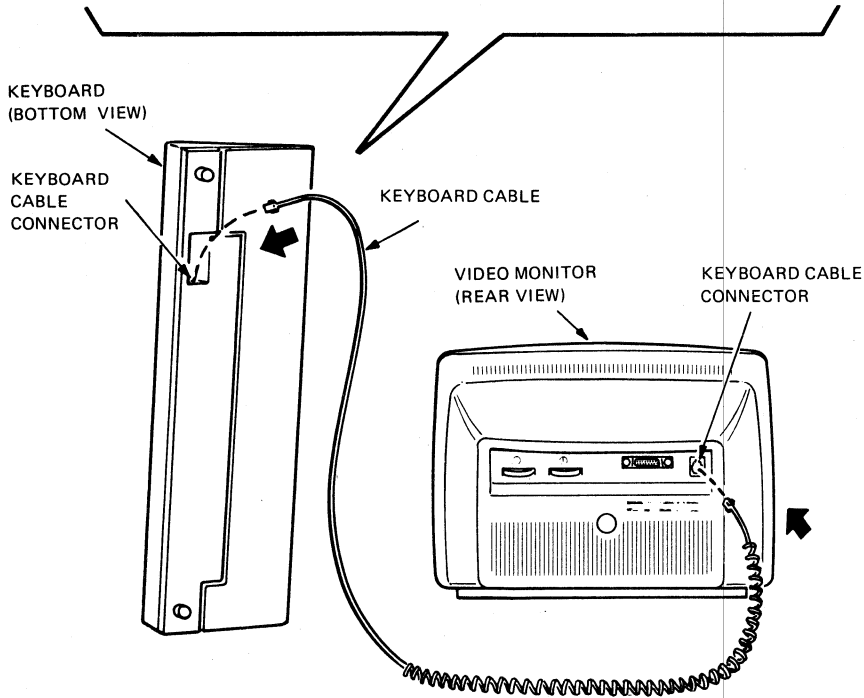
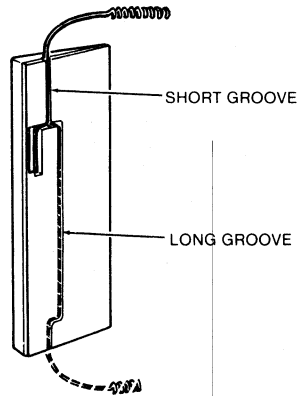
KEYBOARD STANDOFF

KEYBOARD  
(BOTTOM VIEW)

MA-0778A-83

## Connect keyboard to video monitor or to system box.

1. Insert keyboard cable into connector on bottom of keyboard.
2. Press cable into short groove of keyboard if routing to the left.
3. Press cable into long groove of keyboard if routing to the right.
4. Insert keyboard cable into connector on rear of monitor.



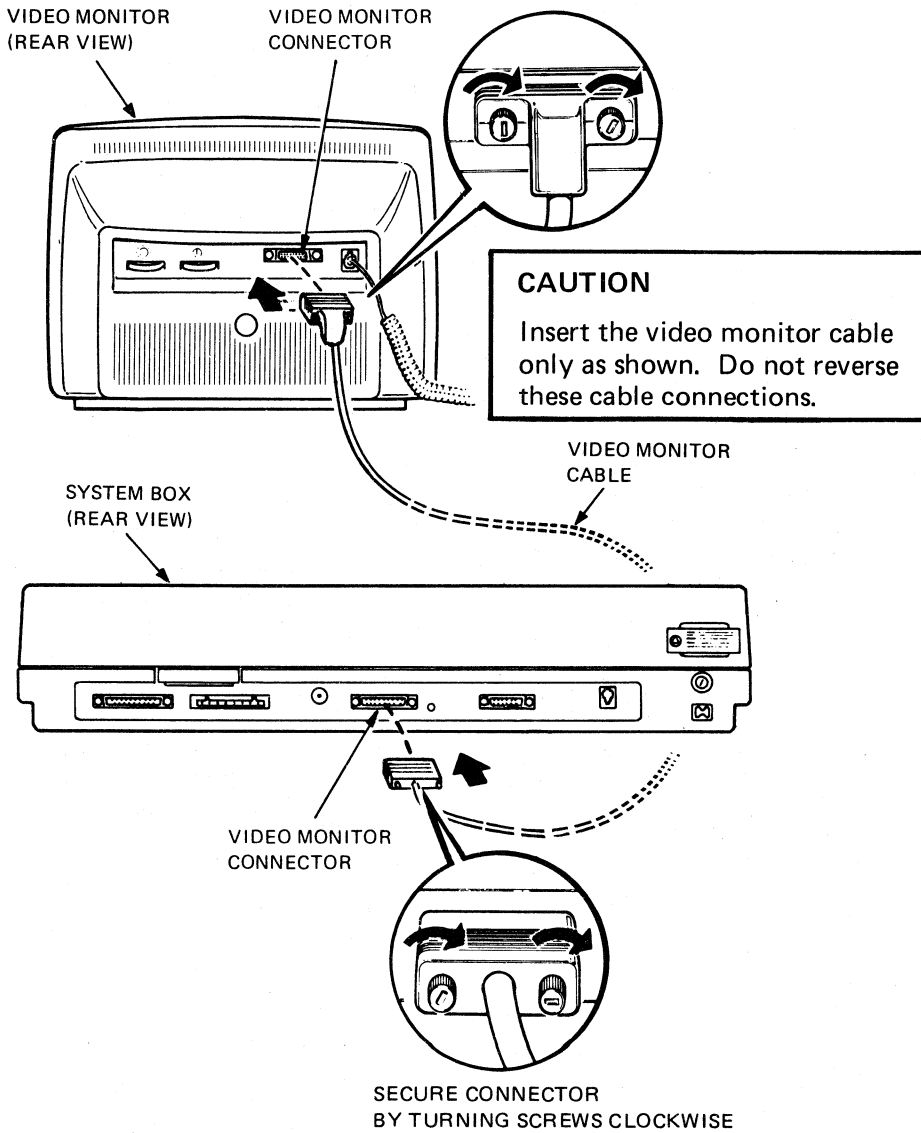
MA-0787-83

### NOTE

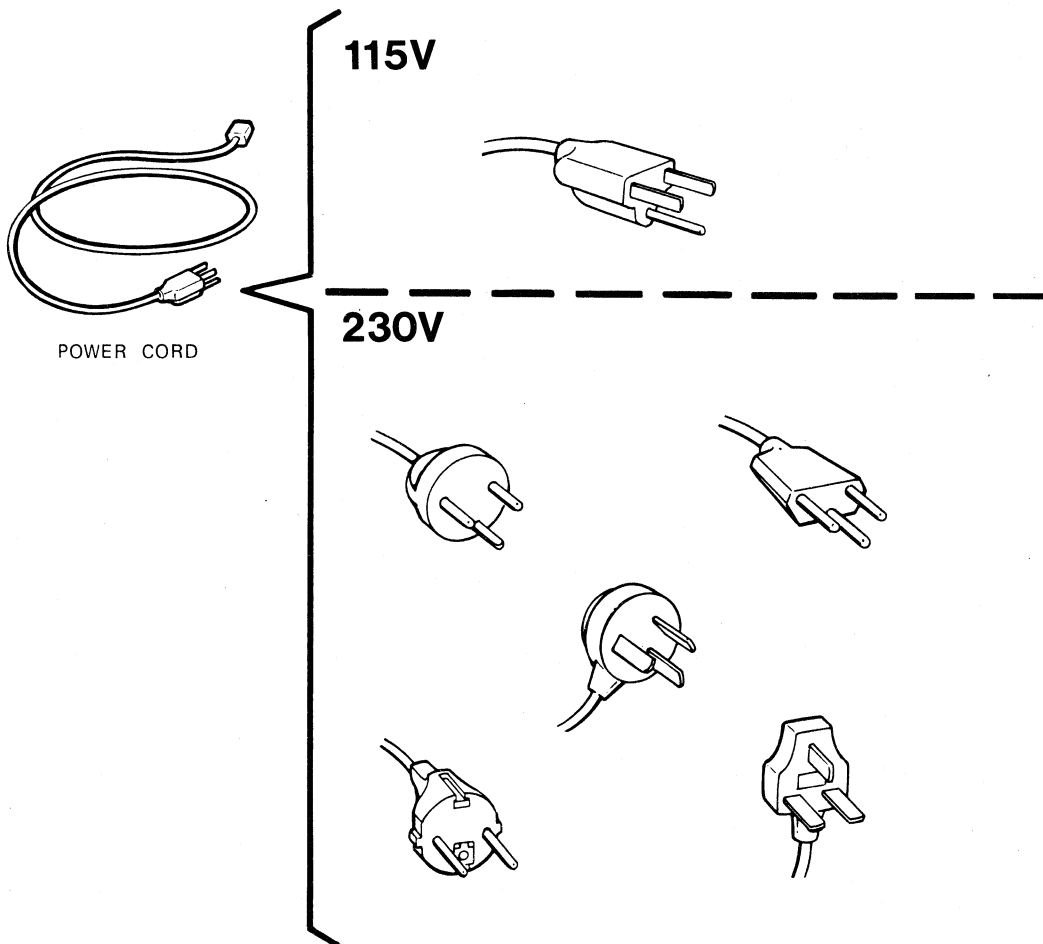
If more convenient, keyboard cable may be inserted into connector on rear of system box.  
(See page 4)

# Connect video monitor cable.

SECURE CONNECTOR  
BY TURNING SCREWS CLOCKWISE



**Make voltage selection by examining  
plug on power cord**



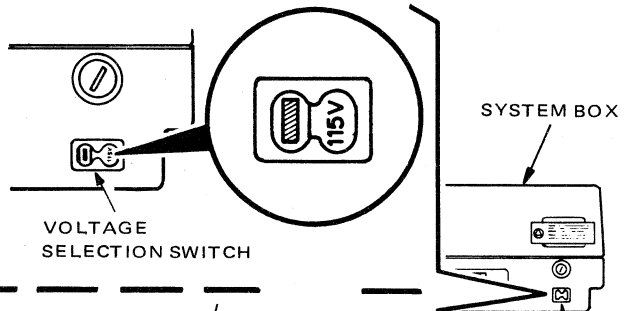
**Set voltage selection switch to match power cord voltage**

**CAUTION**

**Your terminal may be damaged if the voltage selection switch is set incorrectly.**  
The voltage selection switch on your VT240 terminal was set to 115 volts by the manufacturer. If your input voltage is 230 volts, the voltage selection switch must be set to 230 volts, and both the fuse and fuse carrier must be replaced with the 230 volt parts provided.

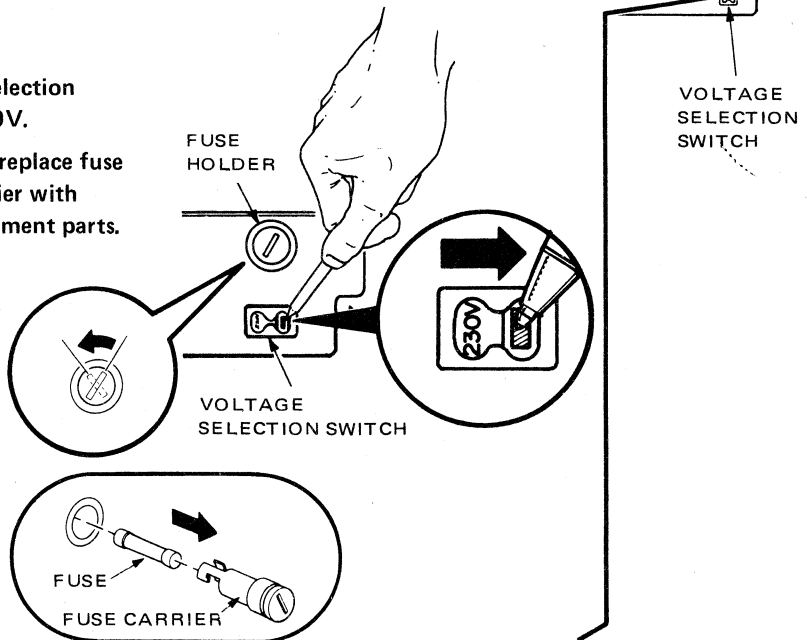
**115V**

Make sure voltage selection switch is set to 115V.



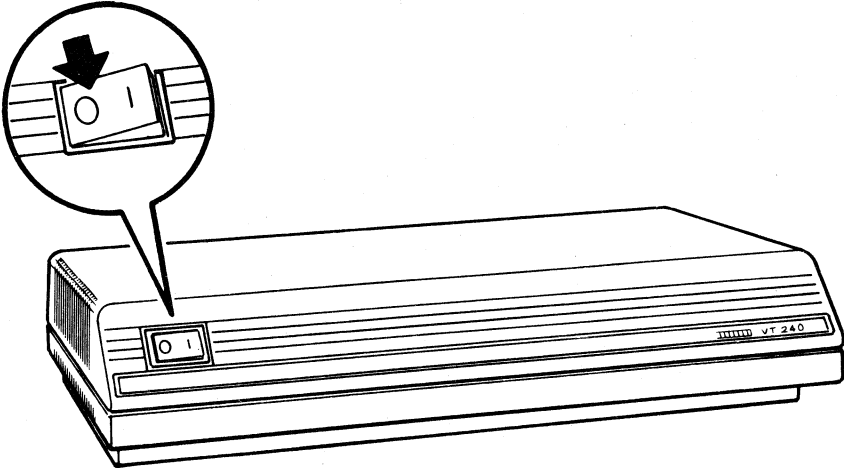
**230V**

Set voltage selection switch to 230V.  
Remove and replace fuse and fuse carrier with 230V replacement parts.



MA-0786-83

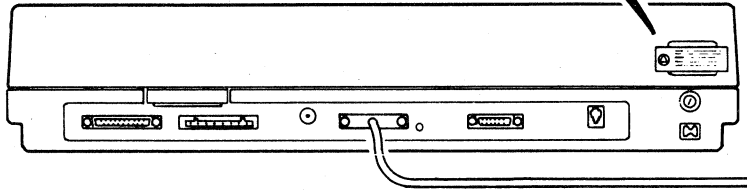
**Make sure power switch is in the "O" (off position).**



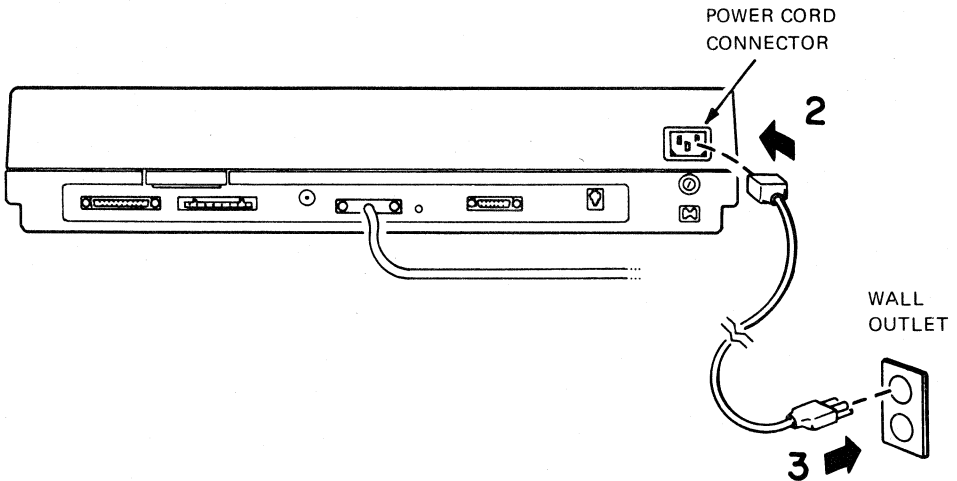
MA-0779-83

# Plug power cord into system box and into wall outlet.

- 1 READ caution label over power cord connector, then remove label.



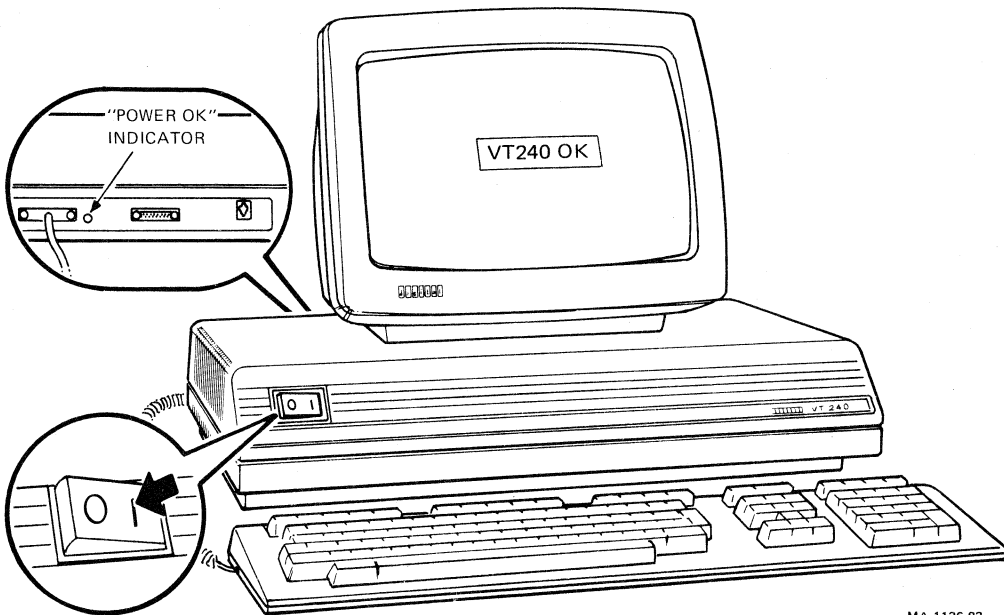
MA-0780-83



MA0781-83

## Start up your terminal

1. Set power switch to "1" (on position).
2. Make sure "Power OK" indicator, the small green light on rear of system box, is on.
3. Listen for bell tone from keyboard.
4. Wait about 30 seconds for display shown below to appear on the screen.



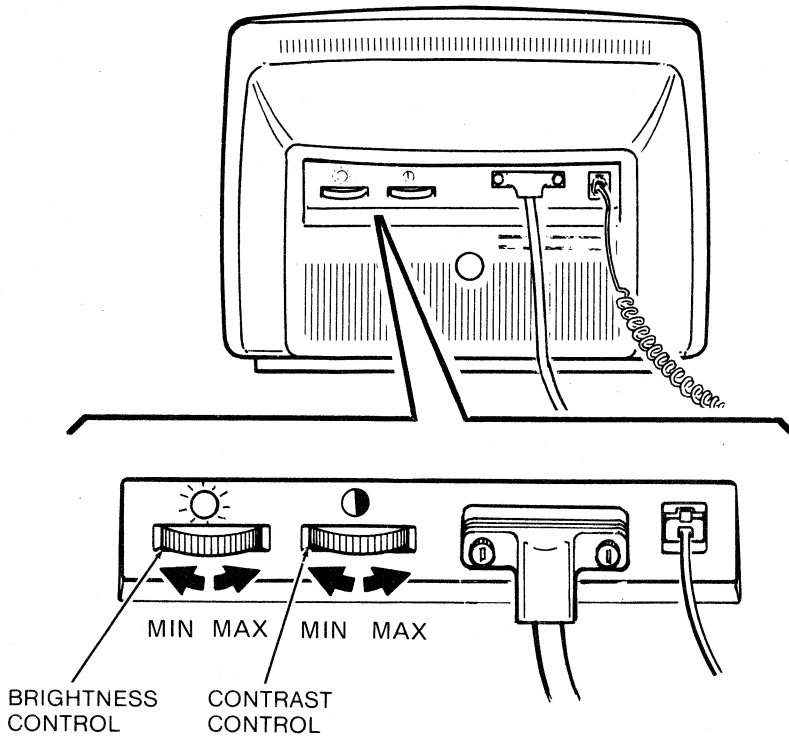
MA-1136-83

If you had problems, refer to page 17.



## Set brightness and contrast controls

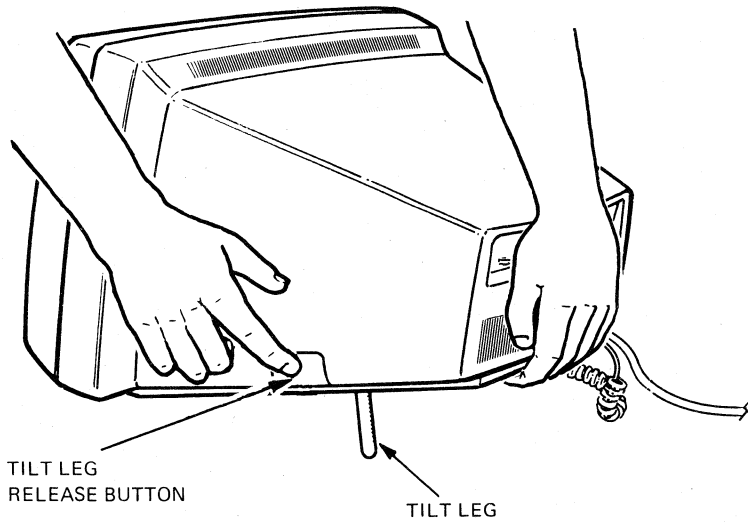
1. Clean screen with Ocli cleaner
2. Increase both the brightness and contrast to maximum.
3. Decrease the brightness until the white diagonal lines just disappear.
4. Decrease the contrast until the display relative to the screen background is of the desired intensity.



MA-10,224

## Adjust viewing angle.

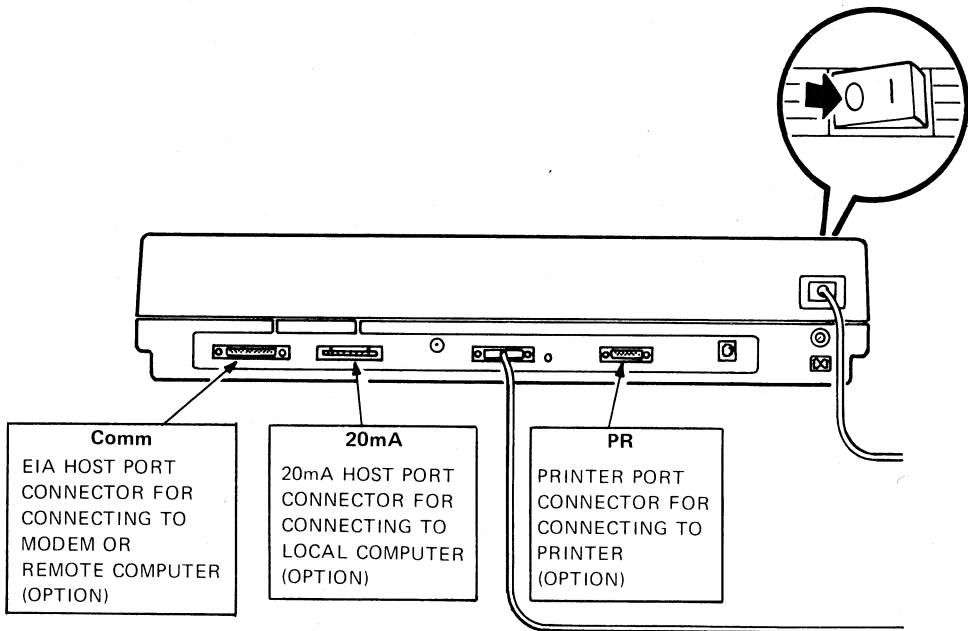
With front of monitor resting on flat surface, raise rear of monitor until screen is at desired viewing angle.  
Press tilt leg release button to release tilt leg.



MA-0775-83

Refer to the following illustration for connecting the optional EIA, 20 mA, or printer cables to your terminal.

**CAUTION** Set power switch to "O" (off position) before connecting cables.



MA-1180-83

Set power switch to "1" (on position) after connecting cables.

# CONGRATULATIONS

You have installed your VT240 terminal successfully. Refer to your Owner's Manual for information to get you started.

## PROBLEMS?

Problem	Corrective Action
"Power OK" indicator is off	Check wall outlet. Make sure power cord connections are secure. Check fuse.
"Power OK" indicator on Keyboard bell tone heard No screen display	Adjust brightness and contrast until "VT240 OK" appears on screen. (See page 13.)
Other	Call Digital Service Information (800) DEC 8000



---

**VT240 INSTALLATION  
FOR  
COLOR MONITOR**





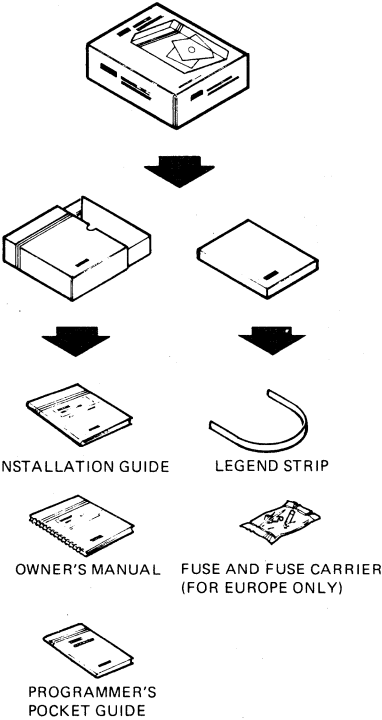
## **SITE PLANNING SPECIFICATIONS**

SYSTEM BOX WEIGHT	7.2 Kg (16 lbs.)
VIDEO MONITOR	16.6 Kg (36.6 lbs.)
KEYBOARD WEIGHT	2 Kg (4.5 lbs.)
ELECTRICAL REQUIREMENTS	90 Vac to 128 Vac 47 Hz to 63 Hz
	OR
	176 Vac to 268 Vac 47 Hz to 63 Hz

## **OPERATING CONDITIONS**

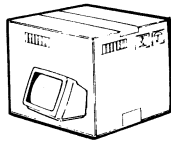
RELATIVE HUMIDITY	10% to 90%
TEMPERATURE	10°C to 40°C (50°F to 104°F)

# Unpack documentation.

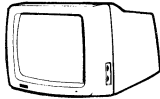


MA-1182A-83

# Unpack terminal cartons.



COLOR MONITOR

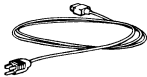


FUSE AND FUSE HOLDER

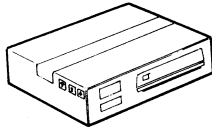


(FOR EUROPE ONLY)

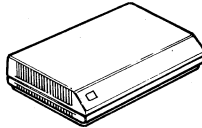
POWER CORD



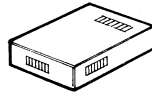
(FOR NORTH AMERICA ONLY)



SYSTEM BOX



SYSTEM BOX



COLOR MONITOR CABLE



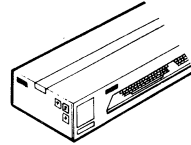
SCREEN CLEANER



POWER CORD



(COUNTRY SPECIFIC)



KEYBOARD



KEYBOARD CABLE



POWER CORD



KEYBOARD STANDOFFS

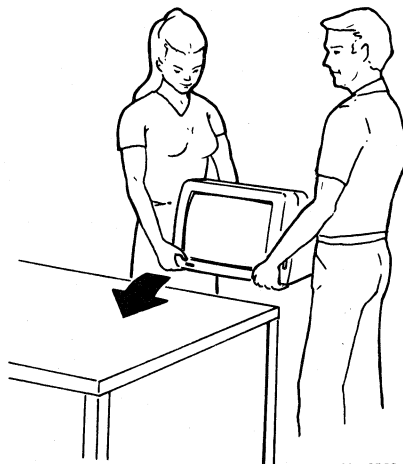


MA-1182-83

**Place monitor on level surface.**

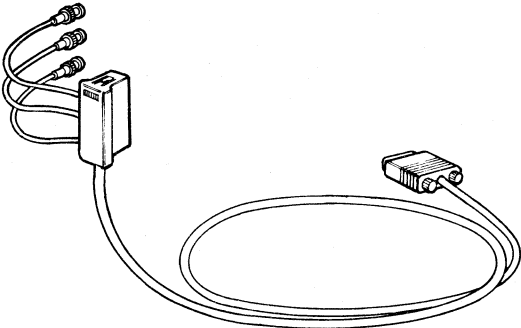
**CAUTION**

The monitor weighs 36.6 pounds (16.6 Kg). Two people are required to lift it.



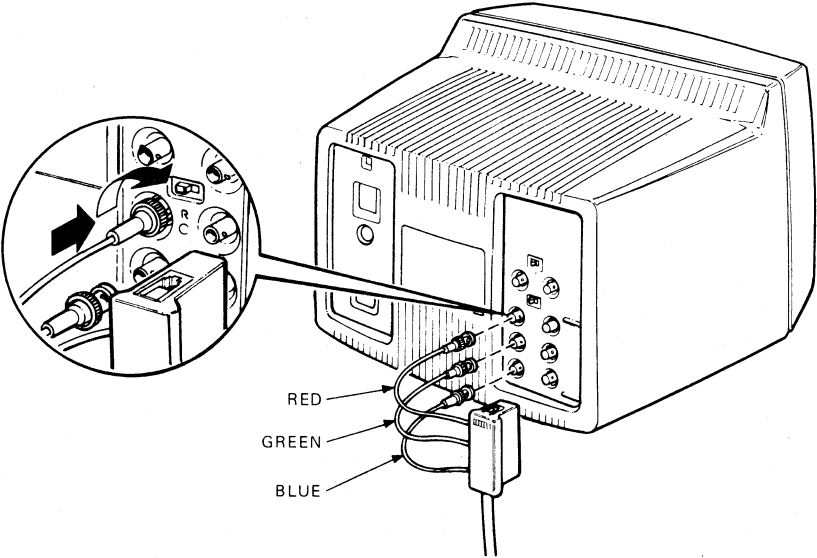
MA-0538-83

**Install color monitor cable.**



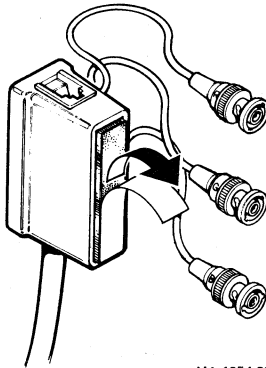
MA-1253-83

- 1. Connector video monitor cables to monitor.



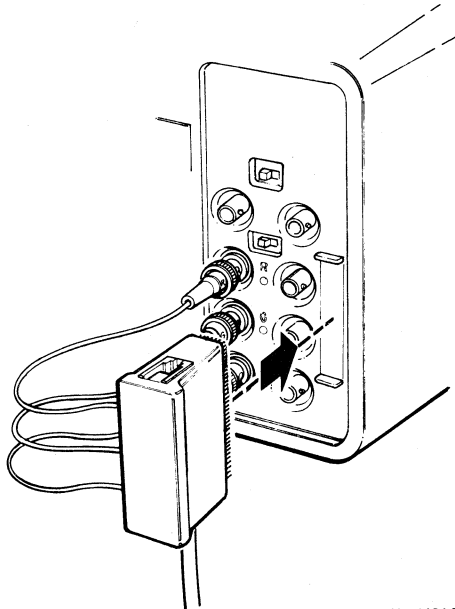
MA-1183-83

2. Peel paper backing from connector fastener.



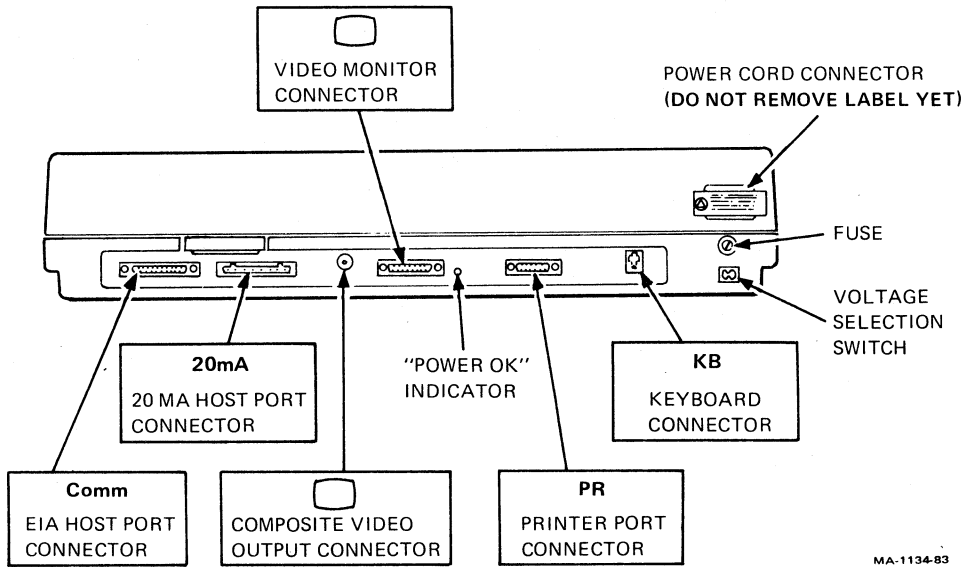
MA-1254-83

3. Press connector fastener firmly into area between the two tabs on rear of monitor.



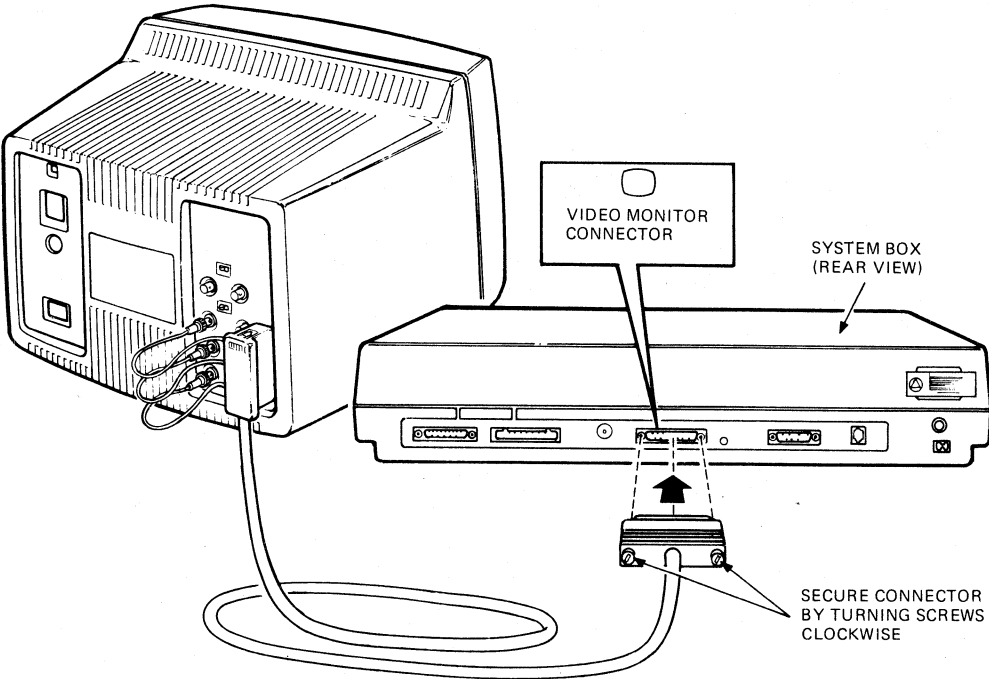
MA-1184-83

# Identify connectors on system box.



MA-1134-83

**Connect color monitor cable to system box.**

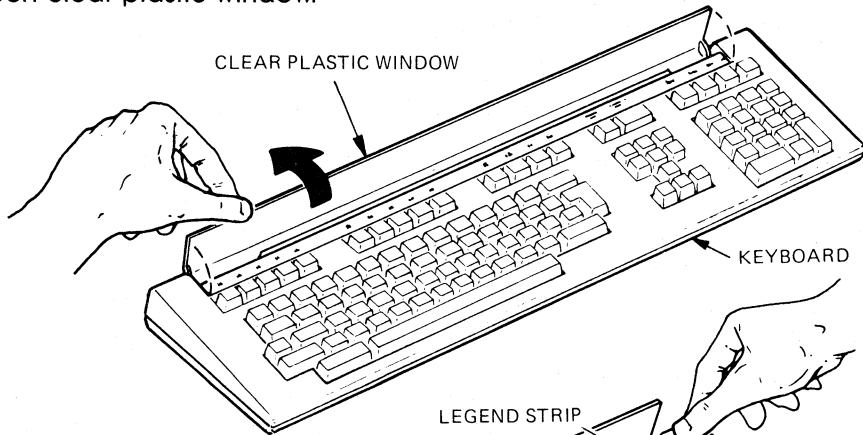


MA-1185-83

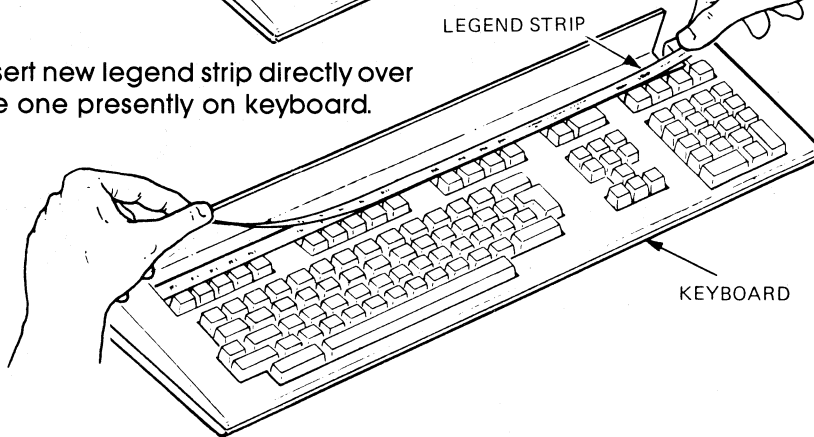


## Install legend strip.

1. Open clear plastic window.

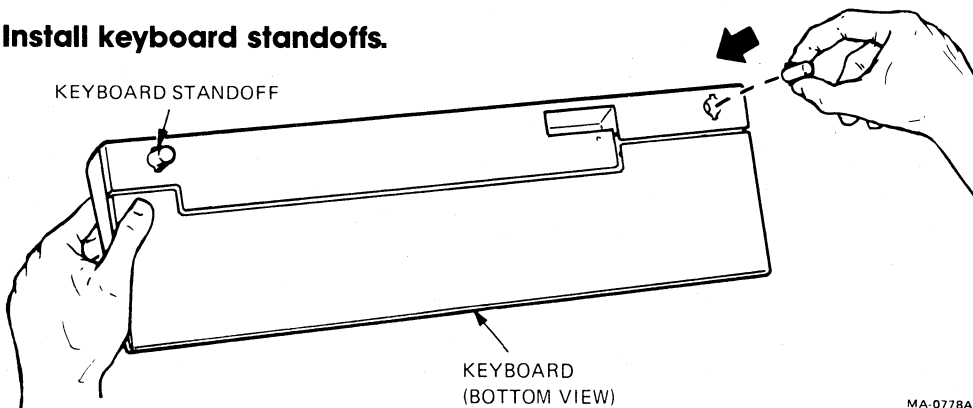


2. Insert new legend strip directly over the one presently on keyboard.



3. Close clear plastic window.

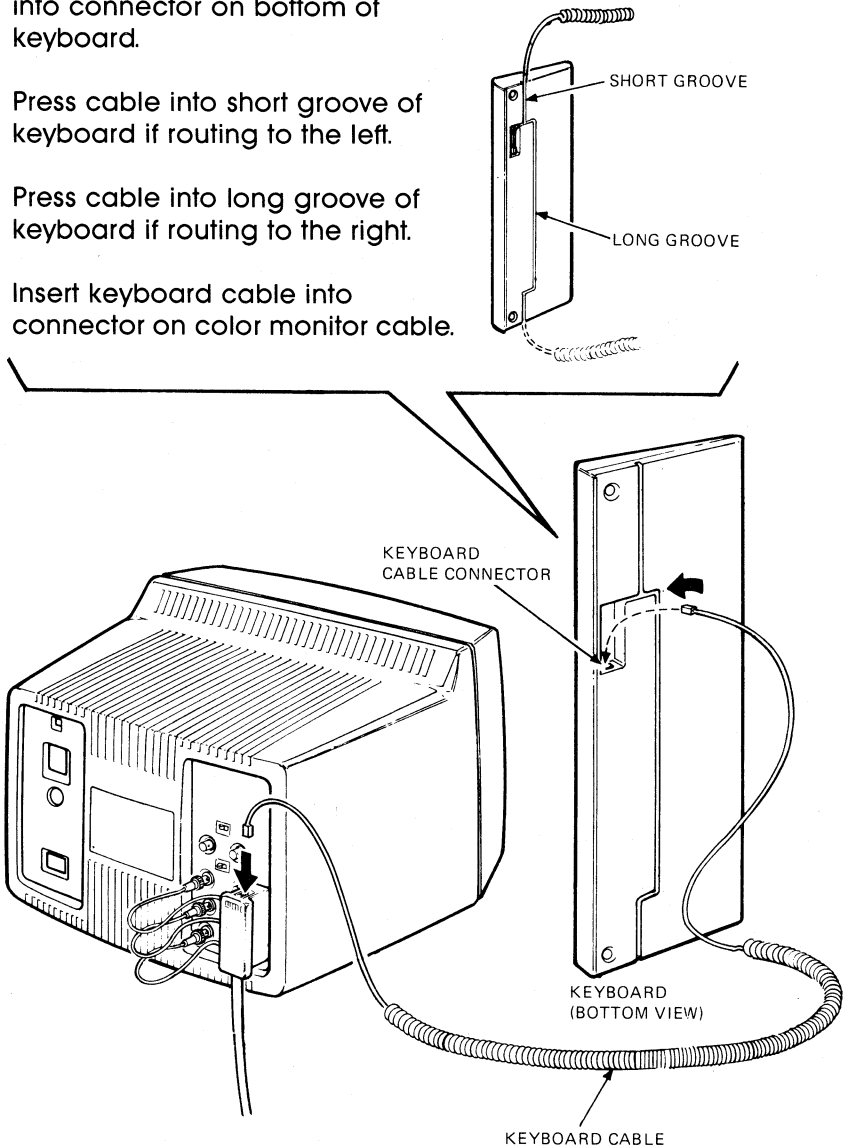
## Install keyboard standoffs.



MA-0778A-83

## Connect keyboard to color monitor.

1. Insert longer end of keyboard cable into connector on bottom of keyboard.
2. Press cable into short groove of keyboard if routing to the left.
3. Press cable into long groove of keyboard if routing to the right.
4. Insert keyboard cable into connector on color monitor cable.

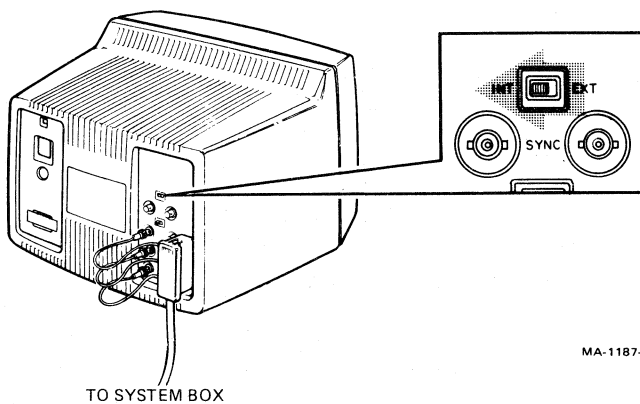


MA-1186-83

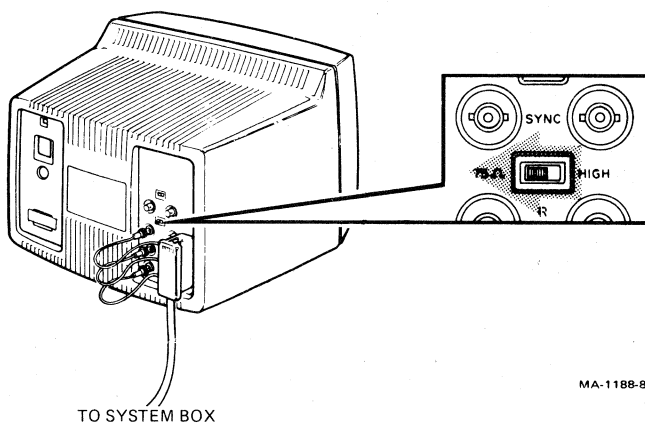
### NOTE

If more convenient, keyboard may be inserted into connector on rear of system box. (See page 27.)

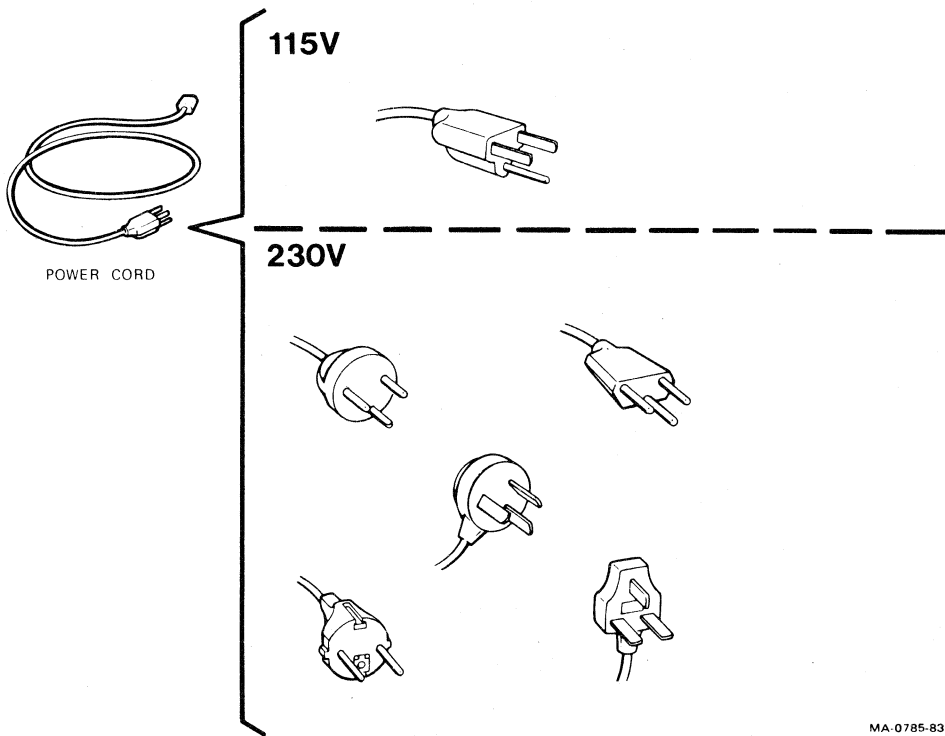
**Set sync switch to internal sync.**



**Set impedance switch to 75 ohms.**



**Match power cord for color monitor to wall outlet voltage.**

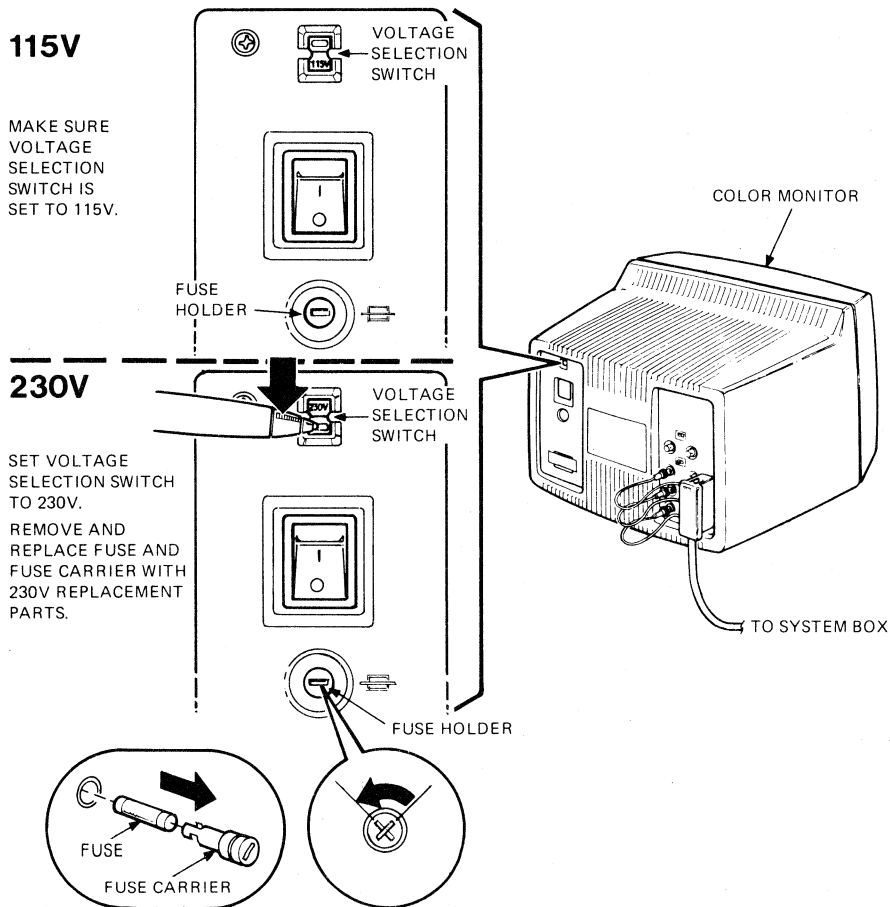


MA-0785-83

## Set voltage selection switch to match power cord voltage.

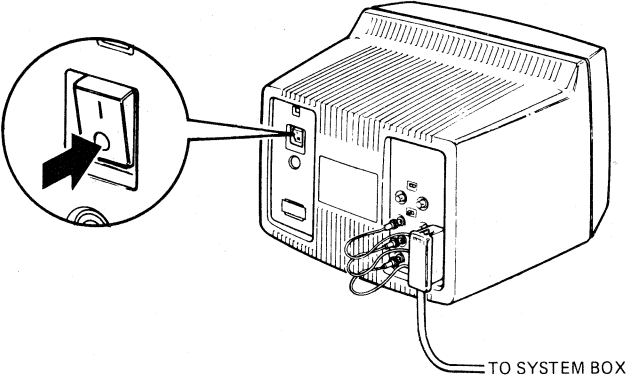
**CAUTION** Your terminal may be damaged if the voltage selection switch is set incorrectly.

The voltage selection switch on your VT240 terminal was set to 115 volts by the manufacturer. If your input voltage is 230 volts, the voltage selection switch must be set to 230 volts, and both the fuse and fuse carrier must be replaced with the 230 volt parts provided.



MA-1189-83

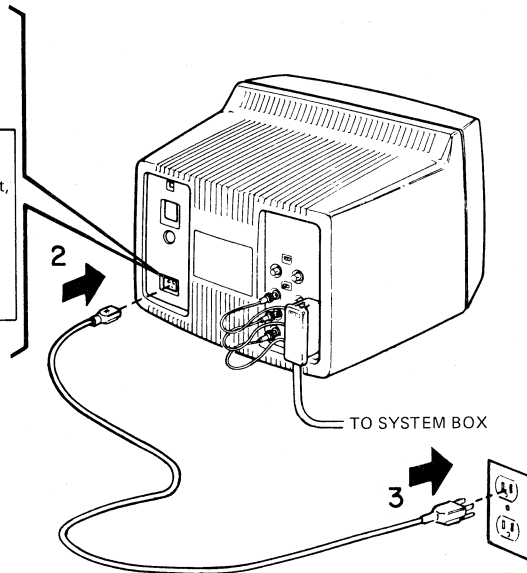
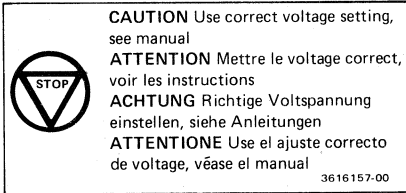
**Set power switch to "0" (off position).**



MA-1190-83

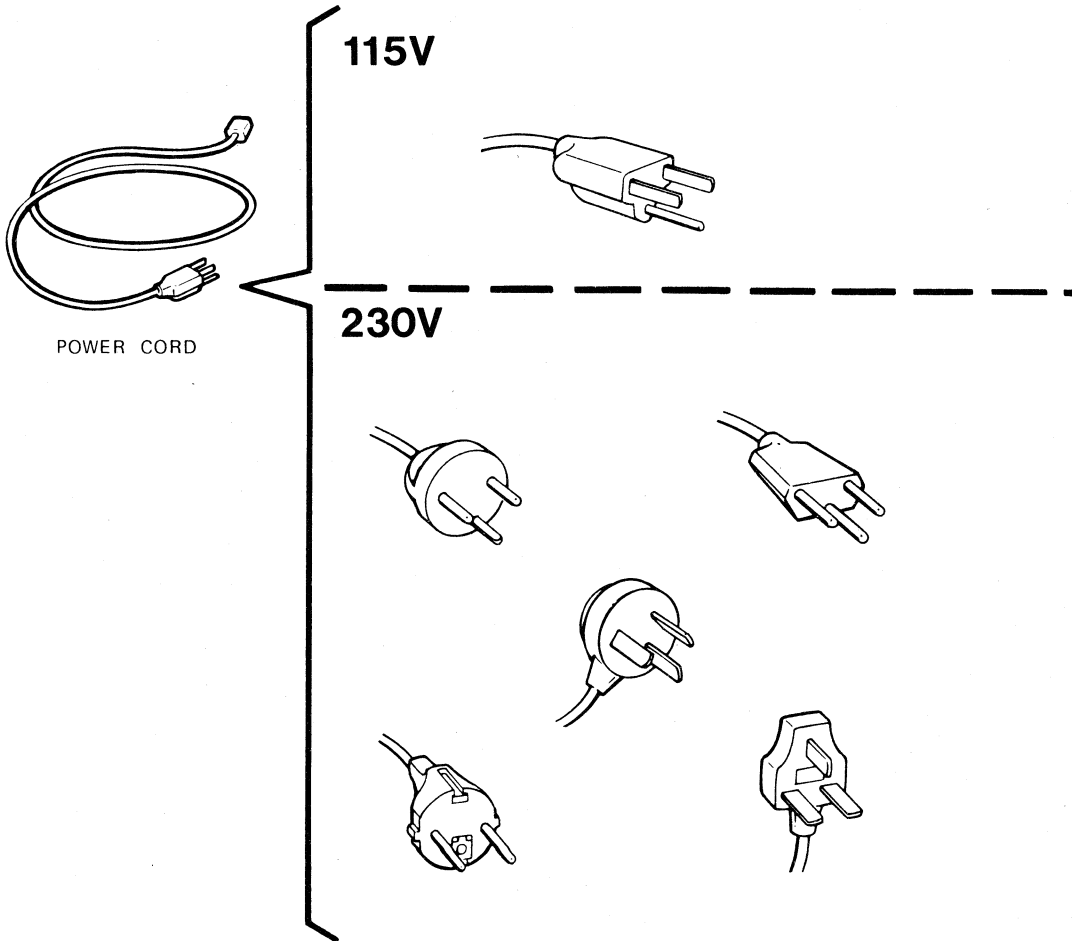
## Connect power cord to color monitor and to wall outlet.

- 1 READ CAUTION LABEL OVER POWER CORD CONNECTOR, THEN REMOVE LABEL.



MA-1191-83

**Match power cord for system box to wall outlet voltage.**



MA-0785-83



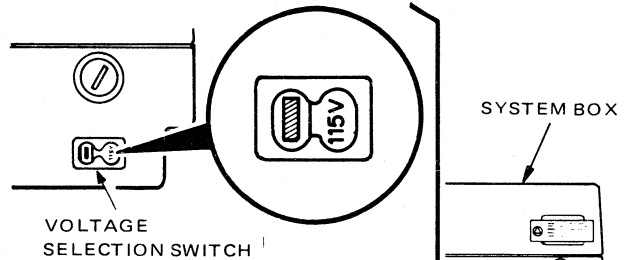
## Set voltage selection switch to match power cord voltage.

**CAUTION** Your terminal may be damaged if the voltage selection switch is set incorrectly.

The voltage selection switch on your VT240 terminal was set to 115 volts by the manufacturer. If your input voltage is 230 volts, the voltage selection switch must be set to 230 volts, and both the fuse and fuse carrier must be replaced with the 230 volt parts provided.

### 115V

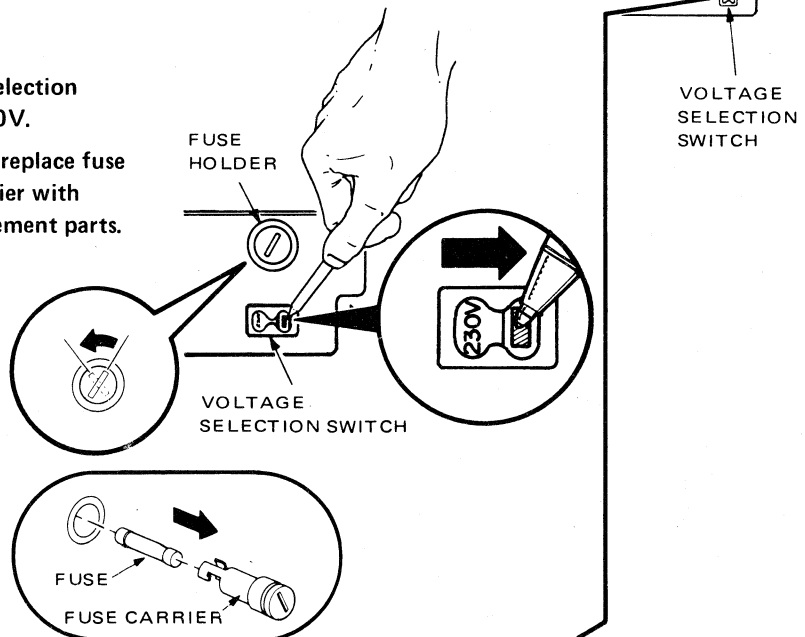
Make sure voltage selection switch is set to 115V.



### 230V

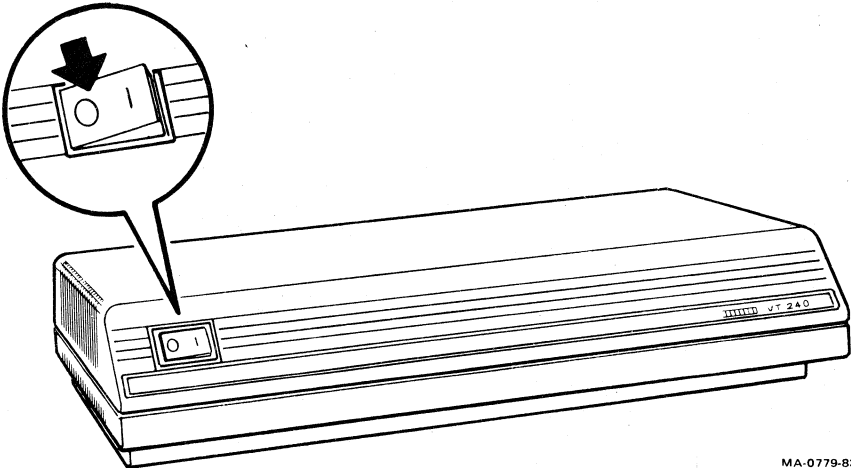
Set voltage selection switch to 230V.

Remove and replace fuse and fuse carrier with 230V replacement parts.



MA-0786-83


**Make sure power switch is in the "0" (off position).**

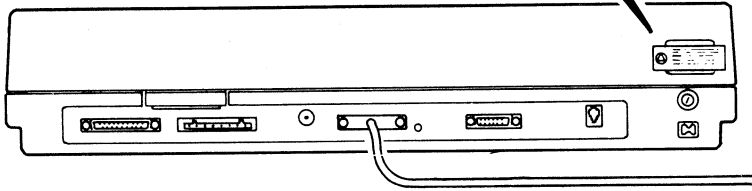


MA-0779-83

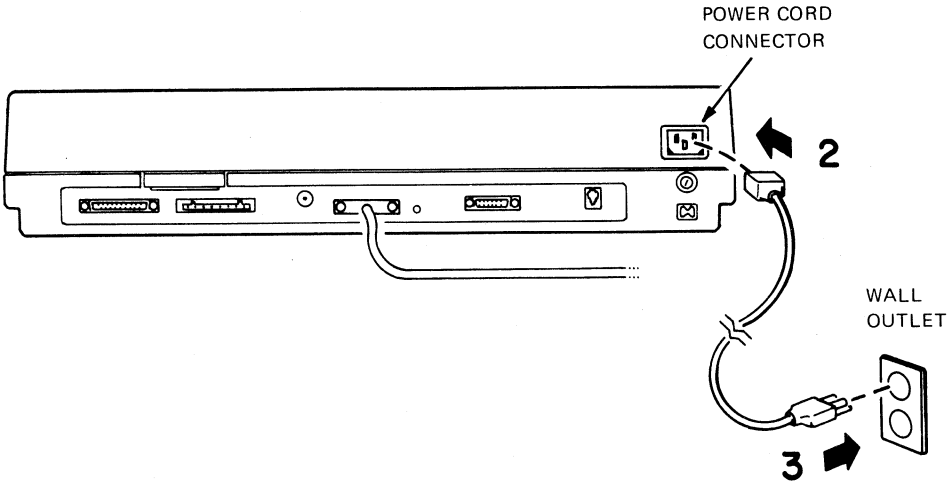
# Plug power cord into system box and into wall outlet.

- 1 READ caution label over power cord connector, then remove label.

 **CAUTION** Use correct voltage setting, see manual  
**ATTENTION** Mettre le voltage correct, voir les instructions  
**ACHTUNG** Richtige Voltspannung einstellen, siehe Anleitungen  
**ATTENZIONE** Use el ajuste correcto de voltage, véase el manual 3616157.00

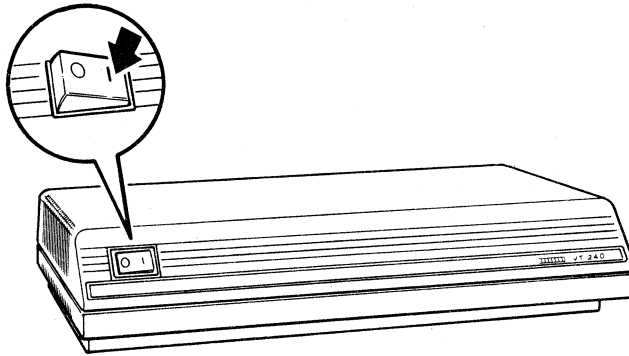


MA-0780-83



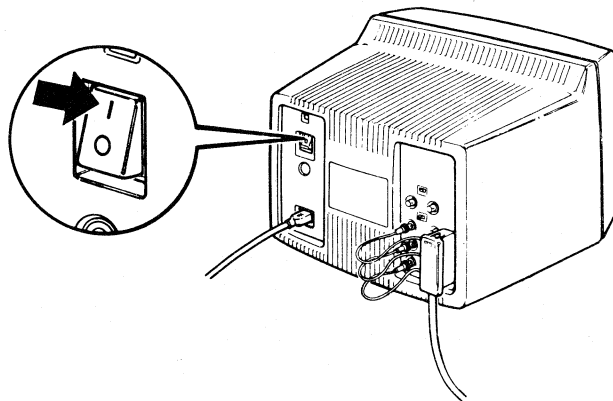
MA-0781-83

**Set power switch on system box to "1" (on position).**



MA-1181-83

**Set power switch on color monitor to "1" (on position).**

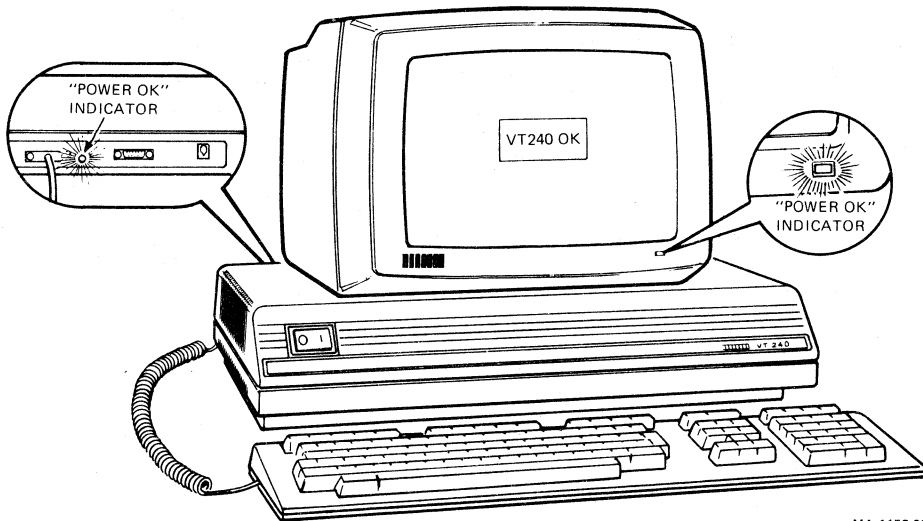


TO SYSTEM BOX

MA-1181-83

## Check status of terminal.

1. Make sure "Power OK" indicator, the small green light on the front of your color monitor, is on.
2. Make sure "Power OK" indicator, the small green light on the rear of system box, is on.
3. Listen for bell tone from keyboard.
4. Wait about 30 seconds for display shown below to appear on the screen.

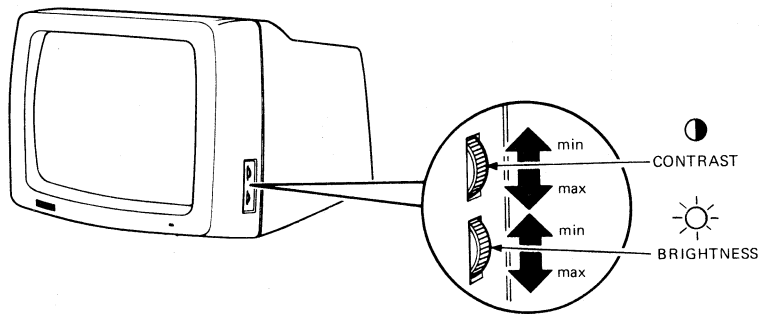


MA-1178-B3

If you had problems, refer to page 45.

## Set brightness and contrast controls.

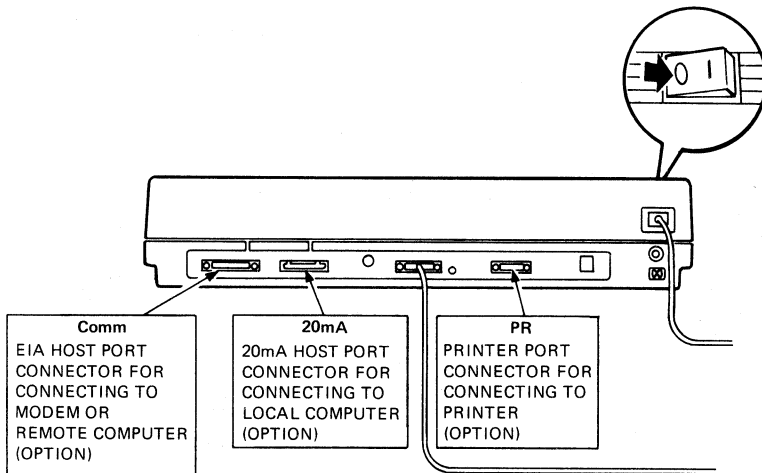
1. Clean screen with Ocli cleaner.
2. Increase both the brightness and contrast to maximum.
3. Decrease the brightness until the white diagonal lines just disappear.
4. Decrease the contrast until the display relative to the screen background is of the desired intensity.



MA-1179-83

**Refer to the following illustration for connecting the optional EIA, 20 mA, or printer cables to your terminal.**

**CAUTION** Set power switch to "0" (off position) before connecting cables.



MA-1180-83

**Set power switch to "1" (on position) after connecting cables.**

## **CONGRATULATIONS**

You have installed your VT240 terminal successfully. Refer to your Owner's Manual for information to get you started.



## PROBLEMS?

<b>Problem</b>	<b>Corrective Action</b>
"Power OK" indicators are off	Check wall outlet. Make sure power cord connections are secure. Check fuse.
"Power OK" indicator on Monitor is on	} Adjust brightness and contrast until "VT240 OK" appears on screen. (See page 42.)
Keyboard bell tone heard	
No screen display	
Screen display is distorted or does not remain still.	Check color monitor cable connections.  Make certain sync switch and impedance switch are set correctly. (See page 31.)
Other	Call Digital Service Information (800) DEC 8000



**Your comments and suggestions will help us in our continuous effort to improve the quality and usefulness of our publications.**

What is your general reaction to this manual?

	Excellent	Very Good	Good	Fair	Poor
Accuracy	<input type="checkbox"/>	<input type="checkbox"/>	<input type="checkbox"/>	<input type="checkbox"/>	<input type="checkbox"/>
Completeness	<input type="checkbox"/>	<input type="checkbox"/>	<input type="checkbox"/>	<input type="checkbox"/>	<input type="checkbox"/>
Organization	<input type="checkbox"/>	<input type="checkbox"/>	<input type="checkbox"/>	<input type="checkbox"/>	<input type="checkbox"/>
Format	<input type="checkbox"/>	<input type="checkbox"/>	<input type="checkbox"/>	<input type="checkbox"/>	<input type="checkbox"/>

What features are most useful?  
 (Notes, Tables, Illustrations, etc.) \_\_\_\_\_  
 \_\_\_\_\_  
 \_\_\_\_\_

Does the publication satisfy your needs?       Yes       No

What errors have you found?  
 (Ref. page no., table no., figure no.) \_\_\_\_\_  
 \_\_\_\_\_  
 \_\_\_\_\_

Additional Comments \_\_\_\_\_  
 \_\_\_\_\_  
 \_\_\_\_\_

Name \_\_\_\_\_ Street \_\_\_\_\_  
 Title \_\_\_\_\_ City \_\_\_\_\_  
 Company \_\_\_\_\_ State/Country \_\_\_\_\_  
 Department \_\_\_\_\_ Zip \_\_\_\_\_

The Documentation Products Directory and the DECdirect Guide contain information on the remainder of DIGITAL's technical documentation.

Copies of the above Directory and Guide, as well as additional copies of this document, are available by writing or calling:

Digital Equipment Corporation  
 Accessories and Supplies Group  
 P.O. Box CS2008  
 Nashua, New Hampshire 03061

Attention: Documentation Products  
 Telephone: 1-800-258-1710

Order No.   EK-VT240-IG-001  

MY

DO NOT TEAR – FOLD HERE AND TAPE

**digital**



No Postage  
Necessary  
if Mailed in the  
United States

**BUSINESS REPLY MAIL**

FIRST CLASS

PERMIT NO. 33

MAYNARD, MA.

POSTAGE WILL BE PAID BY ADDRESSEE

DIGITAL EQUIPMENT CORPORATION  
EDUCATIONAL SERVICES/QUALITY ASSURANCE  
12 CROSBY DRIVE, BU/E08  
BEDFORD, MA 01730

